

23V, 3.5A, 340KHz Synchronous Step-Down DC/DC Converter

Description

The HM1484B is a synchronous step-down DC/DC converter that provides wide 4.5V to 23V input voltage range and 3.5A continuous load current capability.

The HM1484B fault protection includes cycle-by-cycle current limit, input UVLO, output over voltage protection and thermal shutdown. Besides, adjustable soft-start function prevents inrush current at turn-on. This device uses current mode control scheme which provides fast transient response. Internal Compensation function reduces external compensation components and simplifies the design process. In shutdown mode, the supply current is less than 1uA.

The HM1484B is available in an 8-pin SOIC package, provides a very compact system solution and good thermal conductance.

Features

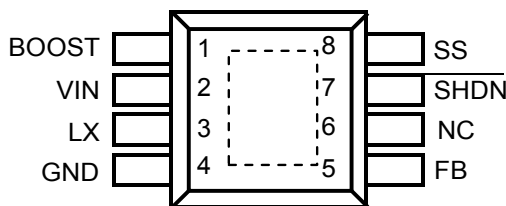
- High Efficiency Up to 96%
- Low Rds(on) integrated Power MOSFET
- Internal Compensation Function
- Wide Input Voltage Range: 4.5V to 23V
- Adjustable Output Voltage Range: 0.925V to 20V
- 3.5A Output Current
- Fixed 340KHz Switching Frequency
- Current Mode Operation
- Adjustable Soft-Start
- Cycle-by-Cycle current limit
- Input Under Voltage Lockout
- Over-Temperature Protection With Auto Recovery
- <1uA Shutdown Current
- SOP-8 Exposed Pad Package

Applications

- Set-Top-Box (STB)
- Televisions
- Distributed Power Systems
- XDSL Modems

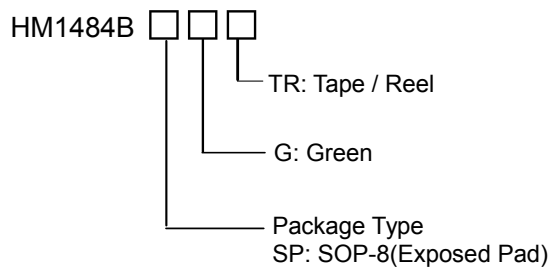
Pin Assignments

SP Package (SOP- 8 Exposed pad)



HM1484B

Ordering Information



Typical Application Circuit

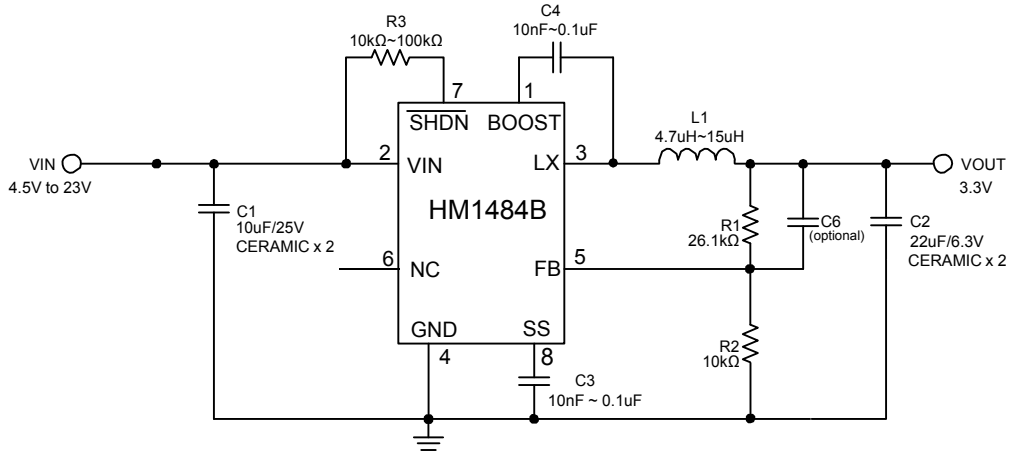


Figure 2. C_{IN}/C_{OUT} use Ceramic Capacitors Application Circuit

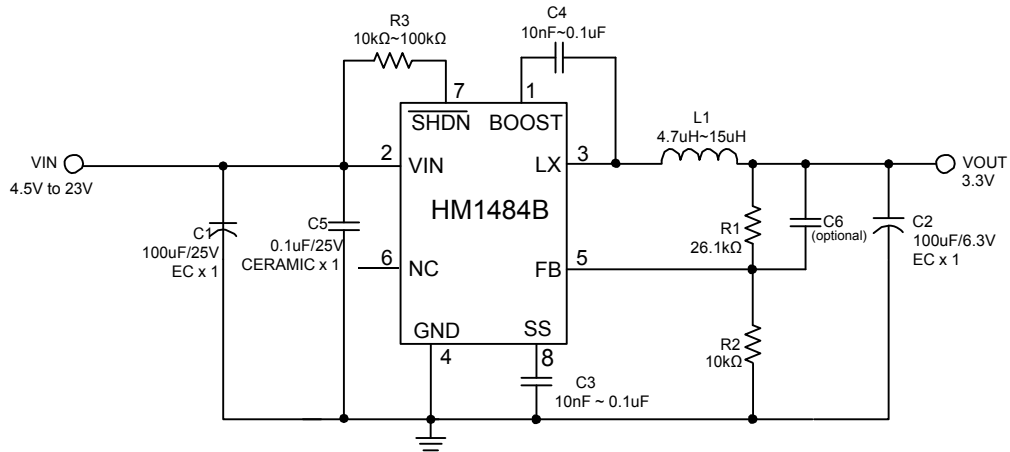


Figure 3. C_{IN}/C_{OUT} use Electrolytic Capacitors Application Circuit

V_{OUT}	R1	R2	C6	L1	C_{OUT}
1.2V	3kΩ	10kΩ	200pF~1nF	4.7uH	22uF MLCC x2
1.8V	9.53kΩ	10kΩ	200pF~1nF	4.7uH	22uF MLCC x2
2.5V	16.9kΩ	10kΩ	200pF~1nF	10uH	22uF MLCC x2
3.3V	26.1kΩ	10kΩ	200pF~1nF	10uH	22uF MLCC x2
5V	44.2kΩ	10kΩ	200pF~1nF	10uH	22uF MLCC x2
1.2V	3kΩ	10kΩ	--	4.7uH	100uF EC x1
1.8V	9.53kΩ	10kΩ	--	4.7uH	100uF EC x1
2.5V	16.9kΩ	10kΩ	--	10uH	100uF EC x1
3.3V	26.1kΩ	10kΩ	--	10uH	100uF EC x1
5V	44.2kΩ	10kΩ	--	10uH	100uF EC x1

Table 1. Recommended Component Values

Functional Pin Description

I/O	Pin Name	Pin No.	Pin Function
I	FB	5	Voltage Feedback Input Pin. Connect FB and V_{OUT} with a resistive voltage divider. This IC senses feedback voltage via FB and regulates it at 0.925V.
I	VIN	2	Power Supply Input Pin. Drive this pin by 4.5V to 23V voltage to power on the chip.
I	$\overline{\text{SHDN}}$	7	Enable Input Pin. This pin provides a digital control to turn the converter on or off. Connect VIN with a 100K Ω resistor for self-startup.
I	GND	4	Ground Pin. Connect this pin to exposed pad.
O	LX	3	Power Switching Output. It is the output pin of internal high side NMOS which is the switching to supply power.
O	SS	8	Soft-Start Pin. This pin controls the soft-start period. Connect a capacitor from SS to GND to set the soft start period.
O	BOOST	1	High Side Gate Drive Boost Pin. A 10nF or greater capacitor must be connected from this pin to LX. It can boost the gate drive to fully turn on the internal high side NMOS.
O	NC	6	No connection. Keeps this pin floating.

Block Diagram

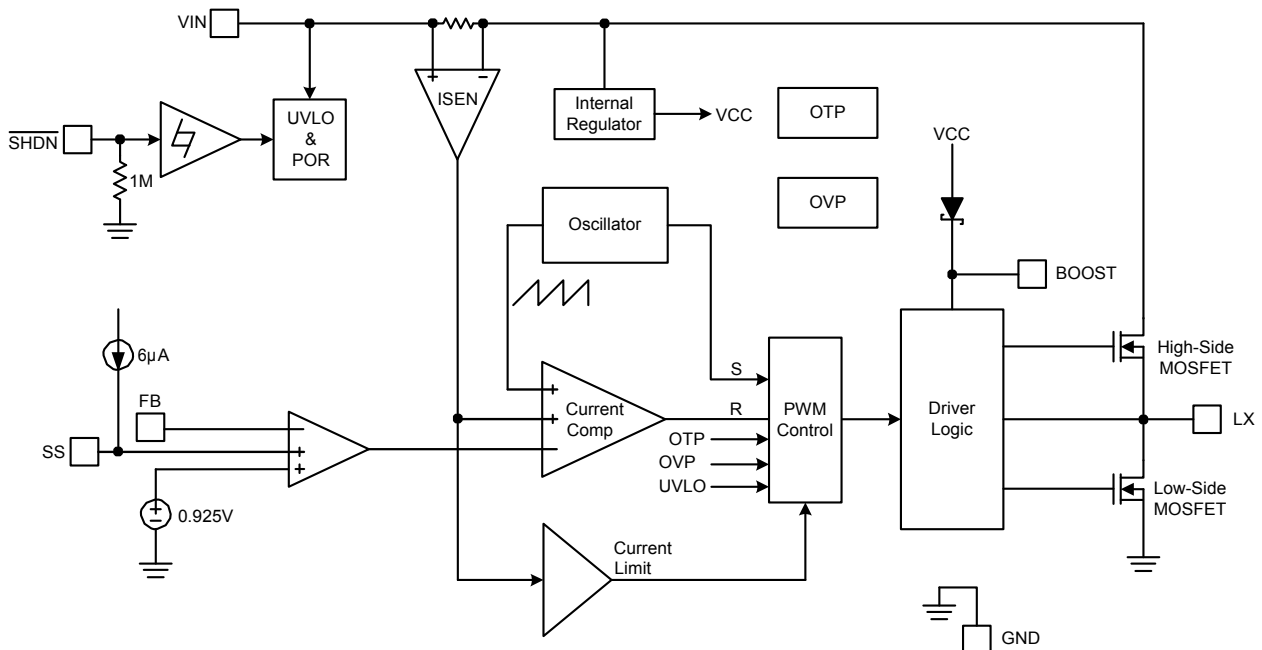


Figure 4. Block Diagram of HM1484B

Absolute Maximum Ratings (Note1)

- Supply Voltage V_{IN} ----- -0.3V to +25V
- Enable Voltage V_{SHDN} ----- -0.3V to +25V
- LX Voltage V_{LX} (50ns)----- -1V to $V_{IN}+0.3V$
- Boost Trap Voltage V_{BOOST} ----- $V_{LX}-0.3V$ to $V_{LX}+6V$
- All Other Pins Voltage----- -0.3V to +6V
- Maximum Junction Temperature (T_J)----- +150
- Storage Temperature (T_S)----- -65 to +150
- Lead Temperature (Soldering, 10sec.)----- +260°C
- Power Dissipation @ $T_A=25$, (P_D) (Note2)
 SOP-8 (Exposed Pad)----- 2.08 W
- Package Thermal Resistance, (θ_{JA}):
 SOP-8 (Exposed Pad)----- 60°C/W
- Package Thermal Resistance, (θ_{JC}):
 SOP-8 (Exposed Pad)----- 15°C/W

Note1 Stresses beyond this listed under "Absolute Maximum Ratings" may cause permanent damage to the device.
 Note2 PCB heat sink copper area = 10mm².

Recommended Operating Conditions

- Supply Voltage V_{IN} ----- +4.5V to +23V
- Enable Voltage V_{SHDN} ----- 0V to V_{IN}
- Operation Temperature Range----- - 40°C to + 85°C

Electrical Characteristics

($V_{IN}=12V$, $T_A=25$, unless otherwise specified.)

Parameter	Symbol	Conditions	Min	Typ	Max	Unit
V_{IN} Input Supply Voltage	V_{IN}		4.5		23	V
V_{IN} Quiescent Current	I_{DDQ}	$V_{\overline{SHDN}}=1.8V$, $V_{FB}=1.0V$		2.5		mA
V_{IN} Shutdown Supply Current	I_{SD}	$V_{\overline{SHDN}}=0V$			1	µA
Feedback Voltage	V_{FB}	$4.5V \leq V_{IN} \leq 23V$	0.9	0.925	0.95	V
Feedback OVP Threshold Voltage	V_{OVP}			1.5		V
High-Side MOSFET $R_{DS(ON)}$ (Note3)	$R_{DS(ON)}$			110		mΩ
Low-Side MOSFET $R_{DS(ON)}$ (Note3)	$R_{DS(ON)}$			80		mΩ
High-Side MOSFET Leakage Current	$I_{LX(leak)}$	$V_{\overline{SHDN}}=0V$, $V_{LX}=0V$			10	µA
High-Side MOSFET Current Limit (Note3)	$I_{LIMIT(HS)}$	Minimum Duty	4	5		A
Low-Side MOSFET Current Limit (Note3)	$I_{LIMIT(LS)}$	From Drain to Source		1.5		A
Error Amplifier Voltage Gain (Note3)				400		V/V
Oscillation frequency	F_{OSC}		290	340	420	KHz
Short Circuit Oscillation Frequency	$F_{OSC(short)}$	$V_{FB}=0V$		110		KHz
Maximum Duty Cycle	D_{MAX}	$V_{FB}=0.8V$		90		%
Minimum On Time (Note3)	T_{MIN}			100		ns
Input UVLO Threshold	$V_{UVLO(Vth)}$	V_{IN} Rising		4.3		V
Under Voltage Lockout Threshold Hysteresis	$V_{UVLO(HYS)}$			250		mV
Soft-Start Current	I_{SS}	$V_{SS}=0V$		6		µA
Soft-Start Period	T_{SS}	$C_{SS}=0.1\mu F$		15		ms
\overline{SHDN} Input Low Voltage	$V_{\overline{SHDN}}(L)$				0.4	V
\overline{SHDN} Input High Voltage	$V_{\overline{SHDN}}(H)$		2			V
\overline{SHDN} Input Current	$I_{\overline{HDN}}$	$V_{\overline{SHDN}}=2V$		2		µA
Thermal Shutdown Threshold (Note3)	T_{SD}			170		°C

Note3 Not production tested.

Typical Performance Curves

$V_{IN} = 12V$, $V_{OUT} = 3.3V$, $C1 = 10\mu F \times 2$, $C2 = 22\mu F \times 2$, $L1 = 10\mu H$, $T_A = +25^\circ C$, unless otherwise noted.

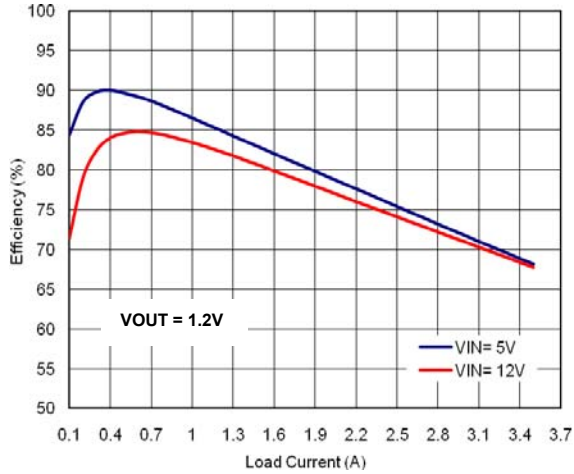


Figure 5. Efficiency vs. Load Current

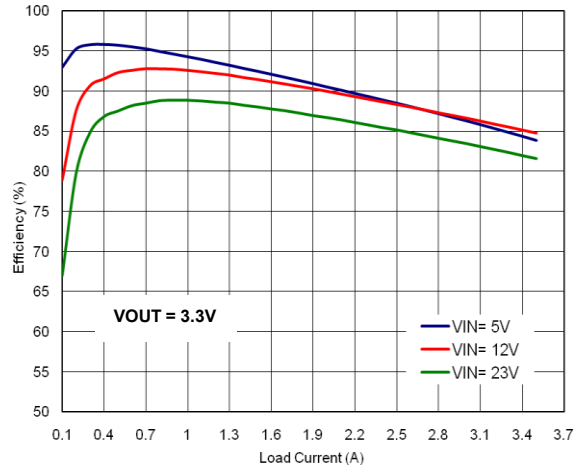


Figure 6. Efficiency vs. Load Current

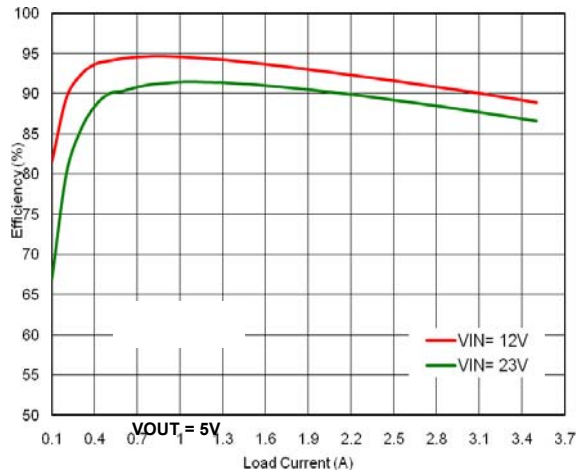


Figure 7. Efficiency vs. Load Current

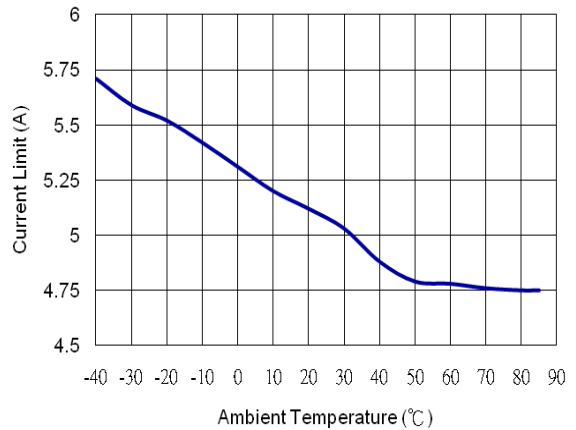


Figure 8. Current Limit vs. Temperature

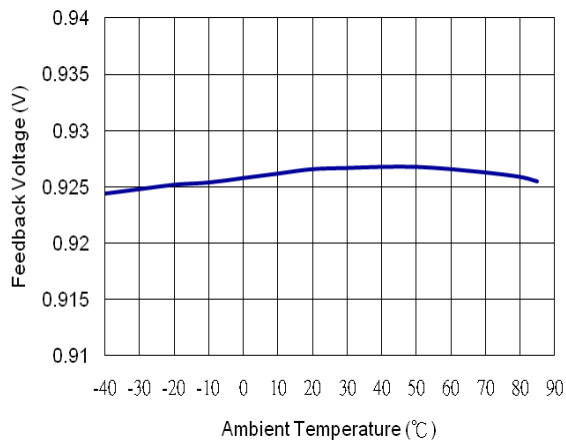


Figure 9. Feedback Voltage vs. Temperature

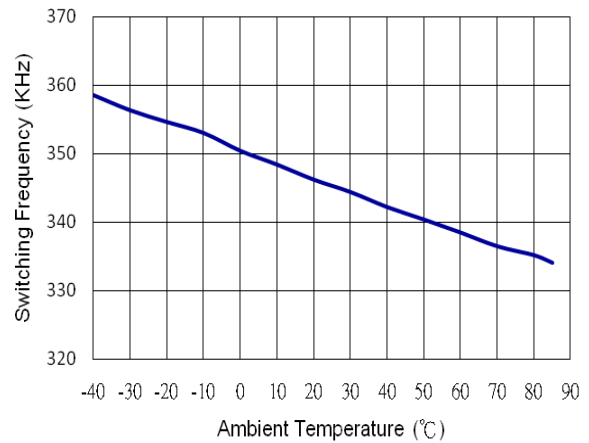


Figure 10. Switching Frequency vs. Temperature

Typical Performance Curves

$V_{IN} = 12V$, $V_{OUT} = 3.3V$, $C1 = 10\mu F \times 2$, $C2 = 22\mu F \times 2$, $L1 = 10\mu H$, $T_A = +25^\circ C$, unless otherwise noted.

$I_{OUT}=0A$

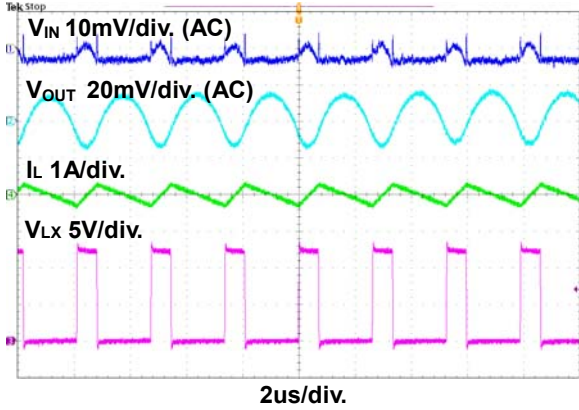


Figure 11. Steady State Waveform

$I_{OUT}=3.5A$

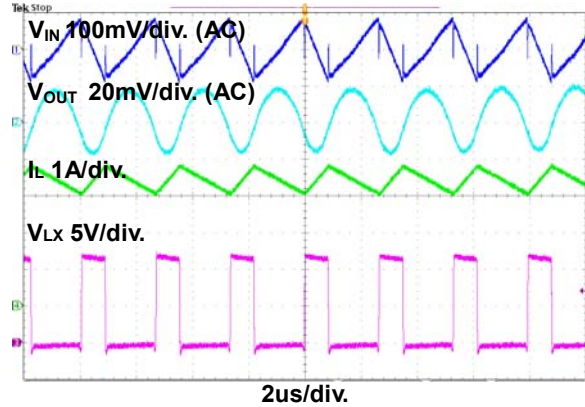


Figure 12. Steady State Waveform

$I_{OUT}=0A$

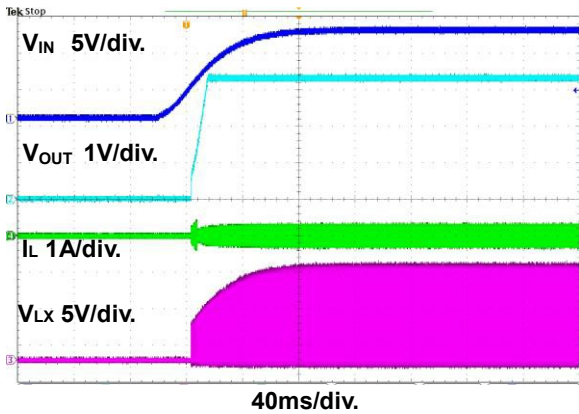


Figure 13. Power On through V_{IN} Waveform

$I_{OUT}=3.5A$

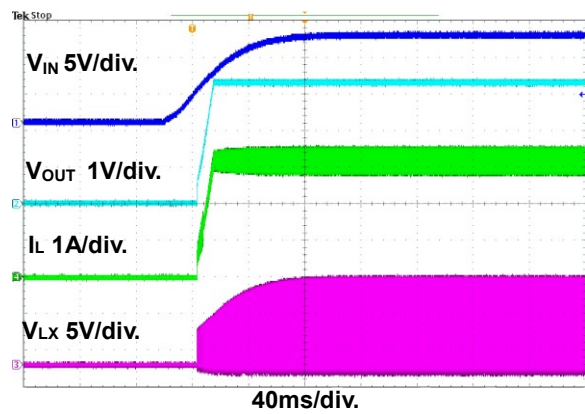


Figure 14. Power On through V_{IN} Waveform

$I_{OUT}=0A$

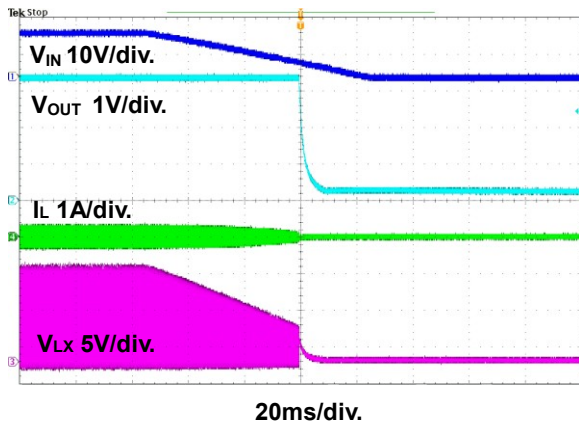


Figure 15. Power Off through V_{IN} Waveform

$I_{OUT}=3.5A$

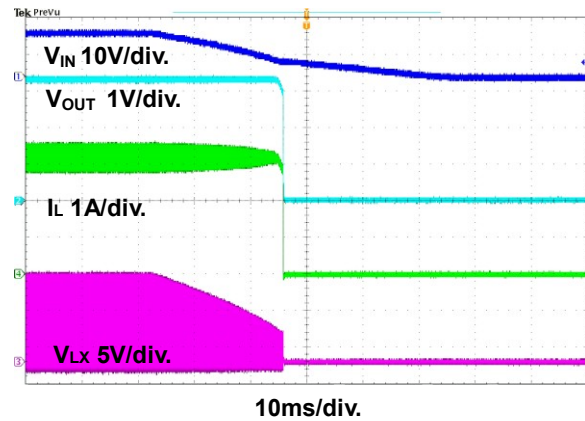


Figure 16. Power Off through V_{IN} Waveform

Typical Performance Curves

$V_{IN} = 12V$, $V_{OUT} = 3.3V$, $C1 = 10\mu F \times 2$, $C2 = 22\mu F \times 2$, $L1 = 10\mu H$, $T_A = +25^\circ C$, unless otherwise noted.

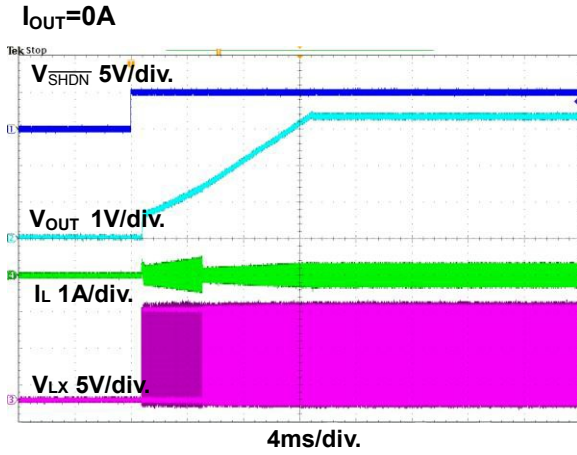


Figure 17. Power On through \overline{SHDN} Waveform

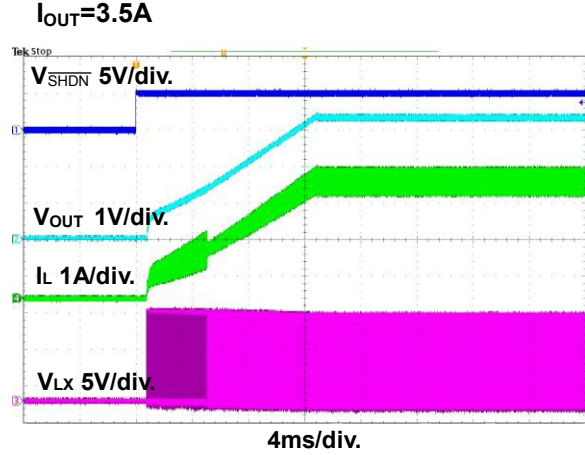


Figure 18. Power On through \overline{SHDN} Waveform

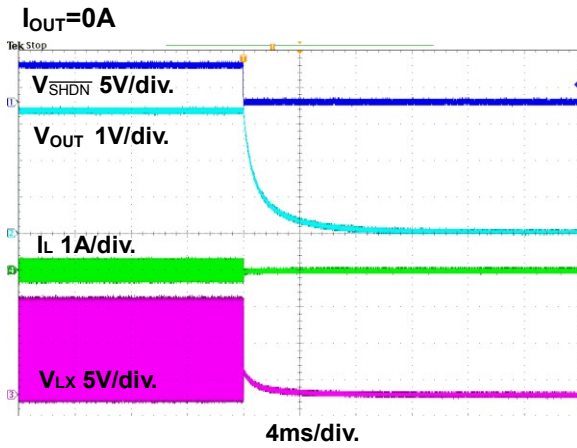


Figure 19. Power Off through \overline{SHDN} Waveform

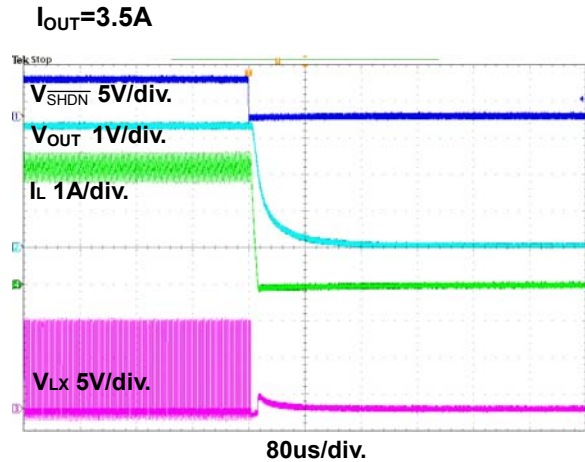


Figure 20. Power Off through \overline{SHDN} Waveform

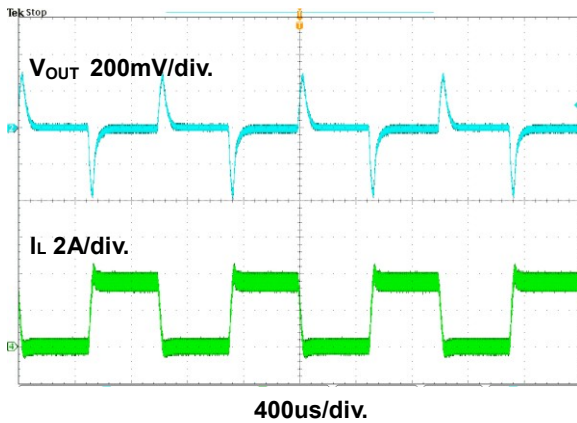


Figure 21. Load Transient Waveform

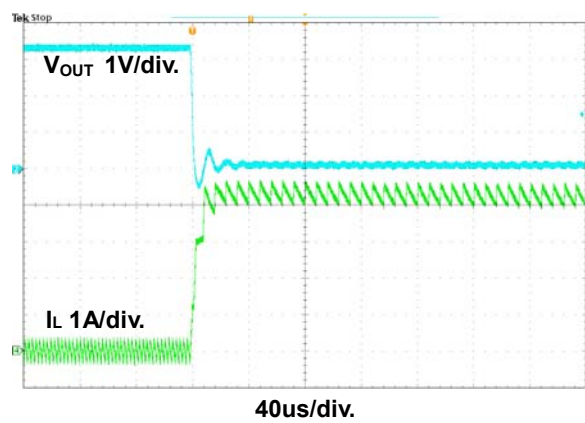


Figure 22. Short Circuit Test

Function Description

The HM1484B is a high efficiency, internal compensation, and constant frequency current mode step-down synchronous DC/DC converter. It has integrated high-side (110mΩ, typ) and low-side (80mΩ, typ) power switches, and provides 3.5A continuous load current. It regulates input voltage from 4.5V to 23V, and down to an output voltage as low as 0.925V.

Control Loop

Under normal operation, the output voltage is sensed by FB pin through a resistive voltage divider and amplified through the error amplifier. The voltage of error amplifier output is compared to the switch current to control the RS latch. At the beginning of each clock cycle, the high-side NMOS turns on when the oscillator sets the RS latch, and turns off when current comparator resets the RS latch. Then the low-side NMOS turns on until the clock period ends.

Enable

The HM1484B $\overline{\text{SHDN}}$ pin provides digital control to turn on/turn off the regulator. When the voltage of $\overline{\text{SHDN}}$ exceeds the threshold voltage, the regulator starts the soft start function. If the $\overline{\text{SHDN}}$ pin voltage is below than the shutdown threshold voltage, the regulator will turn into the shutdown mode and the shutdown current will be smaller than 1uA. For auto start-up operation, connect EN to VIN through a 100KΩ resistor.

Soft Start

The HM1484B employs adjustable soft start function to reduce input inrush current during start up. When the device turns on, a 6uA current begins charging the capacitor which is connected from SS pin to GND. The equation for the soft start time is shown as below:

$$T_{SS} \text{ ms} = \frac{C_{SS} \cdot \text{nF} \cdot V_{FB}}{I_{SS} \cdot \text{uA}}$$

The V_{FB} voltage is 0.925V and the I_{SS} current is 6uA. If a 0.1uF capacitor is connected from SS pin to GND, the soft start time will be 15ms.

Output Over Voltage Protection

When the FB pin voltage exceeds 1.5V, the output over voltage protection function will be triggered and turn off the high-side/low-side MOSFET.

Input Under Voltage Lockout

When the HM1484B is power on, the internal circuits are held inactive until V_{IN} voltage exceeds the input UVLO threshold voltage. And the regulator will be disabled when V_{IN} is below the input UVLO threshold voltage. The hysteresis of the UVLO comparator is 250mV (typ).

Short Circuit Protection

The HM1484B provides short circuit protection function to prevent the device damage from short condition. When the short condition occurs and the feedback voltage drops lower than 0.4V, the oscillator frequency will be reduced to 110KHz to prevent the inductor current increasing beyond the current limit. In the meantime, the current limit will also be reduced to lower the short current. Once the short condition is removed, the frequency and current limit will return to normal.

Over Current Protection

The HM1484B over current protection function is implemented using cycle-by-cycle current limit architecture. The inductor current is monitored by measuring the high-side MOSFET series sense resistor voltage. When the load current increases, the inductor current also increases. When the peak inductor current reaches the current limit threshold, the output voltage starts to drop. When the over current condition is removed, the output voltage returns to the regulated value.

Over Temperature Protection

The HM1484B incorporates an over temperature protection circuit to protect itself from overheating. When the junction temperature exceeds the thermal shutdown threshold temperature, the regulator will be shutdown. And the hysteresis of the over temperature protection is 60°C (typ).

Internal Compensation Function

The stability of the feedback circuit is controlled through internal compensation circuits. This internal compensation function is optimized for most applications and this function can reduce external R, C components.

Application Information

Output Voltage Setting

The output voltage V_{OUT} is set using a resistive divider from the output to FB. The FB pin regulated voltage is 0.925V. Thus the output voltage is:

$$V_{OUT} = 0.925V \times \left(1 + \frac{R1}{R2}\right)$$

Table 2 lists recommended values of R1 and R2 for most used output voltage.

Table 2 Recommended Resistance Values

V_{OUT}	R1	R2
5V	44.2k Ω	10k Ω
3.3V	26.1k Ω	10k Ω
2.5V	16.9k Ω	10k Ω
1.8V	9.53k Ω	10k Ω
1.2V	3k Ω	10k Ω

Place resistors R1 and R2 close to FB pin to prevent stray pickup.

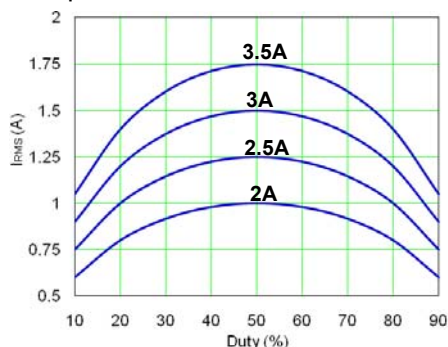
Input Capacitor Selection

The use of the input capacitor is filtering the input voltage ripple and the MOSFETS switching spike voltage. Because the input current to the step-down converter is discontinuous, the input capacitor is required to supply the current to the converter to keep the DC input voltage. The capacitor voltage rating should be 1.25 to 1.5 times greater than the maximum input voltage. The input capacitor ripple current RMS value is calculated as:

$$I_{IN(RMS)} = I_{OUT} \times \sqrt{D \times (1-D)}$$

Where D is the duty cycle of the power MOSFET.

This function reaches the maximum value at $D=0.5$ and the equivalent RMS current is equal to $I_{OUT}/2$. The following diagram is the graphical representation of above equation.



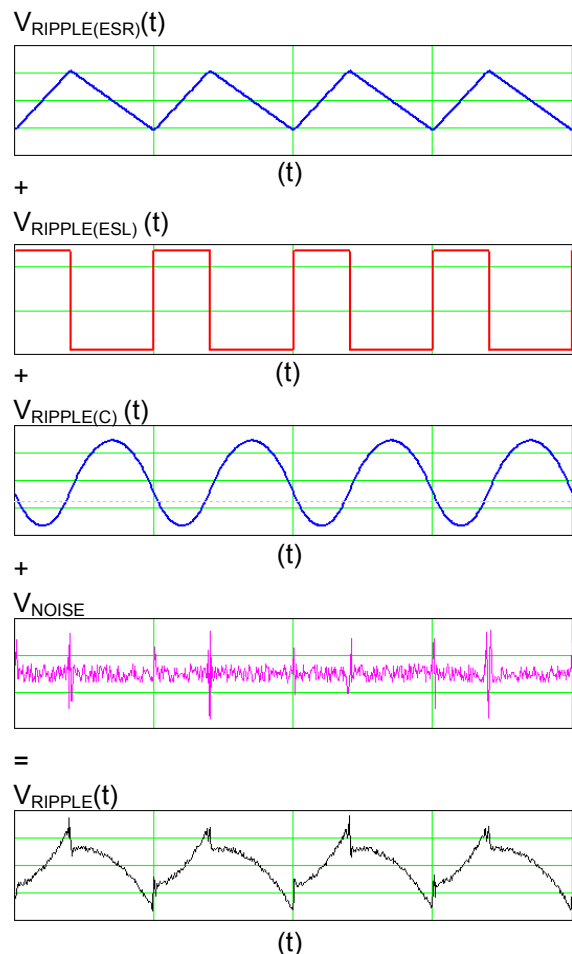
A low ESR capacitor is required to keep the noise minimum. Ceramic capacitors are better, but tantalum or low ESR electrolytic capacitors may also suffice. When using tantalum or electrolytic capacitors, a 0.1uF ceramic capacitor should be placed as close to the IC as possible.

Output Capacitor Selection

The output capacitor is used to keep the DC output voltage and supply the load transient current. When operating in constant current mode, the output ripple is determined by four components:

$$V_{RIPPLE(t)} = V_{RIPPLE(C)} + V_{RIPPLE(ESR)} + V_{RIPPLE(ESL)} + V_{NOISE}$$

The following figures show the form of the ripple contributions.



Application Information

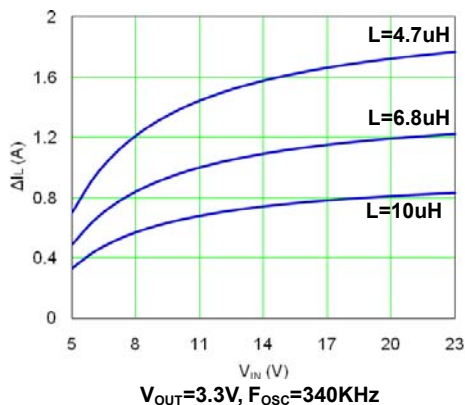
$$V_{\text{RIPPLE(ESR)}} = I_L R_{\text{(ESR)}}$$

$$V_{\text{RIPPLE(ESL)}} = I_L L_{\text{(ESL)}} \frac{1}{D^2 D}$$

$$V_{\text{RIPPLE(C)}} = I_L \frac{1}{8 F_{\text{OSC}} C_{\text{OUT}}}$$

$$I_L = \frac{V_{\text{OUT}}}{F_{\text{OSC}} L} \approx \frac{V_{\text{OUT}}}{V_{\text{IN}}}$$

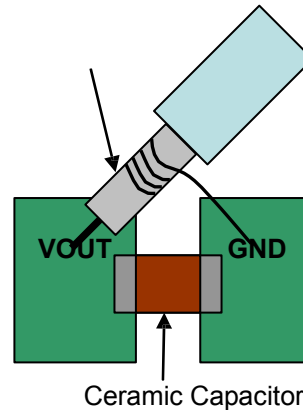
Where ΔI_L is the peak-to-peak inductor ripple current, F_{OSC} is the switching frequency, L is the inductance value, V_{IN} is the input voltage, V_{OUT} is the output voltage, $R_{\text{(ESR)}}$ is the equivalent series resistance value of the output capacitor, $L_{\text{(ESL)}}$ is the equivalent series inductance value of the output capacitor and the C_{OUT} is the output capacitor. The following diagram is an example to graphical represent ΔI_L equation.



Low ESR capacitors are preferred. Ceramic, tantalum or low ESR electrolytic capacitors can be used depending on the output ripple requirement. When using the ceramic capacitors, the ESL component is usually negligible.

It is important to use the proper method to eliminate high frequency noise when measuring the output ripple. The figure shows how to locate the probe across the capacitor when measuring output ripple. Removing the scope probe plastic jacket in order to expose the ground at the tip of the probe. It gives a very short connection from the probe ground to the capacitor and eliminating noise.

Probe Ground



Output Inductor Selection

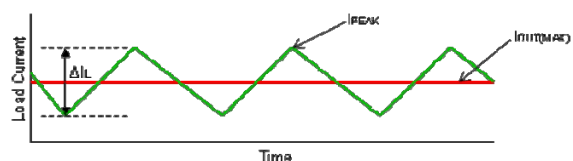
The output inductor is used for storing energy and filtering output ripple current. But the trade-off condition often happens between maximum energy storage and the physical size of the inductor. The first consideration for selecting the output inductor is to make sure that the inductance is large enough to keep the converter in the continuous current mode. That will lower ripple current and result in lower output ripple voltage. The inductance value should be determined to set the peak-to-peak inductor ripple current ΔI_L around 20% to 50% of the maximum load current. Then the inductance can be calculated with the following equation:

$$I_L = 0.2 \sim 0.5 I_{\text{OUT(MAX)}}$$

$$L = \frac{V_{\text{IN}} - V_{\text{OUT}}}{F_{\text{OSC}} \Delta I_L} \frac{1}{V_{\text{IN}}}$$

To guarantee sufficient output current, peak inductor current must be lower than the HM1484B high-side MOSFET current limit. The peak inductor current is as below:

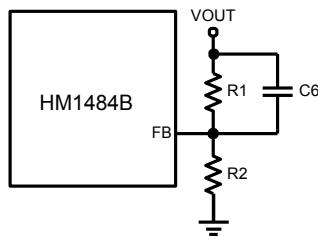
$$I_{\text{PEAK}} = I_{\text{OUT(MAX)}} + \frac{\Delta I_L}{2}$$



Application Information

Feedforward Capacitor Selection

Internal compensation function allows users saving time in design and saving cost by reducing the number of external components. The use of a feedforward capacitor C6 in the feedback network is recommended to improve the transient response or higher phase margin.



For optimizing the feedforward capacitor, knowing the cross frequency is the first thing. The cross frequency (or the converter bandwidth) can be determined by using a network analyzer. When getting the cross frequency with no feedforward capacitor identified, the value of feedforward capacitor C6 can be calculated with the following equation:

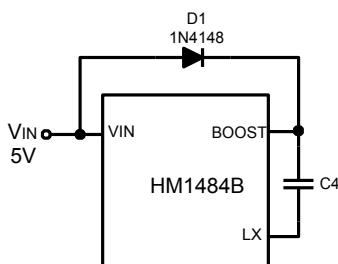
$$C6 = \frac{1}{2} \frac{1}{F_{CROSS}} \sqrt{\frac{1}{R} \frac{1}{R}}$$

Where F_{CROSS} is the cross frequency.

To reduce transient ripple, the feedforward capacitor value can be increased to push the cross frequency to higher region. Although this can improve transient response, it also decrease phase margin and cause more ringing. In the other hand, if more phase margin is desired, the feedforward capacitor value can be decreased to push the cross frequency to lower region.

External Boost Diode Selection

For 5V input applications, it is recommended to add an external boost diode. This helps improving the efficiency. The boost diode can be a low cost one such as 1N4148.



PCB Layout Recommendation

The device's performance and stability is dramatically affected by PCB layout. It is recommended to follow these general guidelines show as below:

1. Place the input capacitors and output capacitors as close to the device as possible. Trace to these capacitors should be as short and wide as possible to minimize parasitic inductance and resistance.
2. Place feedback resistors close to the FB pin.
3. Keep the sensitive signal (FB) away from the switching signal (LX).
4. The exposed pad of the package should be soldered to an equivalent area of metal on the PCB. This area should connect to the GND plane and have multiple via connections to the back of the PCB as well as connections to intermediate PCB layers. The GND plane area connecting to the exposed pad should be maximized to improve thermal performance.
5. Multi-layer PCB design is recommended.

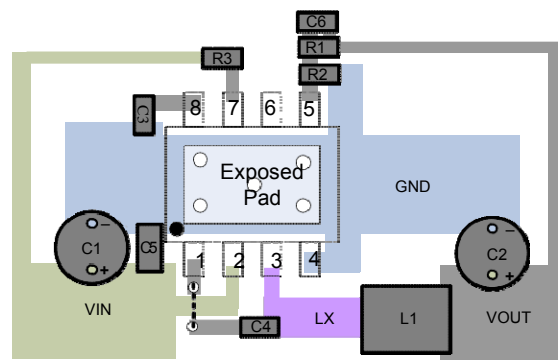


Figure 23. HM1484B SOP-8(Exposed Pad) package C_{IN}/C_{OUT} with EC capacitors Recommended PCB Layout Diagram

