

## Features

- Wide 8V to 45V input voltage range.
- Fixed 5V output voltage.
- Maximum 2.1A output current.
- Fixed 150KHz switching frequency.
- Internal optimize power MOSFET.
- High efficiency up to 92%.
- Built in output short shutdown function.
- Excellent line and load regulation.
- Built in thermal shutdown function.
- Built in current limit function.
- Available in SOIC-8 package.

## Applications

- Car Charger.
- Battery Charger.
- USB Power Supply.

## General Description

The HM3511 is a 150 KHz fixed frequency PWM buck (step-down) DC/DC converter, capable of driving a 2.1A load with high efficiency, low ripple and excellent line and load regulation. Requiring a minimum number of external components, the regulator is simple to use and include internal frequency compensation and a fixed-frequency oscillator.

The HM3511 built in output short protection function. When short protection function happens, the chip will be shutdown. An internal compensation block is built in to minimize external component count.



Figure1. Package Type of HM3511

## Pin Configurations

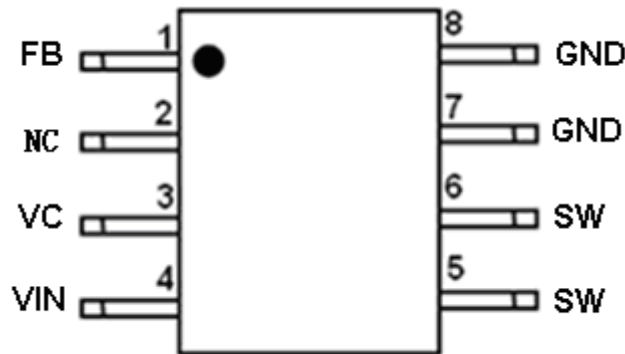


Figure2. Pin Configuration of HM3511 (Top View)

Table 1 Pin Description

| Pin Number | Pin Name | Description  |
|------------|----------|--|
| 1          | FB       | Feedback Pin (FB). The feedback threshold voltage is 5V.   |
| 2          | NC       | No Connected.  |
| 3          | VC       | Internal Voltage Regulator Bypass Capacity. In typical system application, The VC pin connect a 1uf capacity to VIN.   |
| 4          | VIN      | Supply Voltage Input Pin. HM3511 operates from 8V to 45V DC voltage. Bypass Vin to GND with a suitably large capacitor to eliminate noise on the input.  |
| 5,6        | SW       | Power Switch Output Pin (SW). SW is the switch node that supplies power to the output.   |
| 7,8        | GND      | Ground Pin. Care must be taken in layout. This pin should be placed outside of the schottky diode to output capacitor ground path to prevent switching current spikes from inducing voltage noise into HM3511. |

**Function Block**

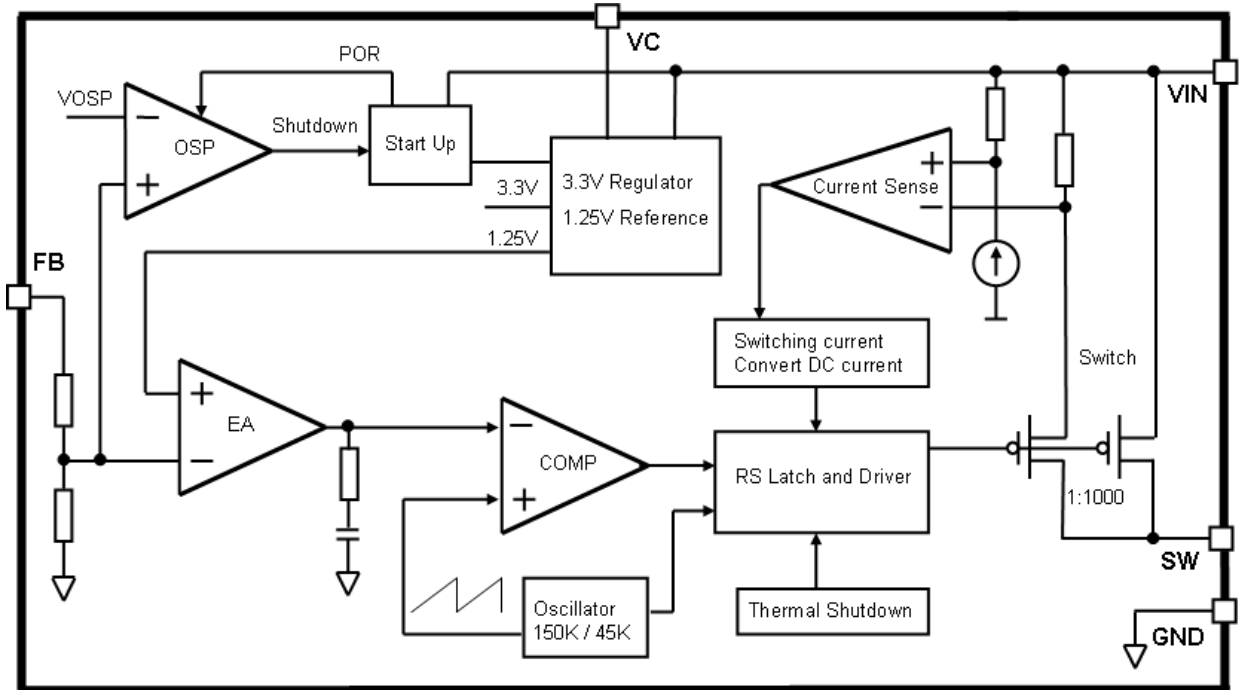


Figure3. Function Block Diagram of HM3511

**Typical Application Circuit**

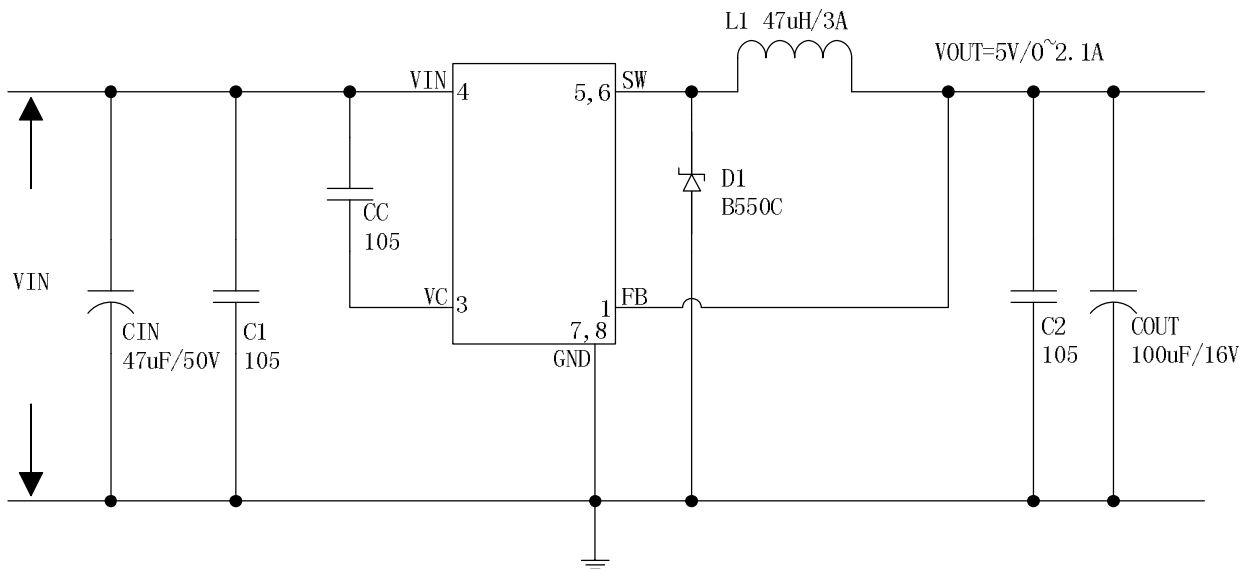


Figure4. HM3511 Typical Application Circuit (VIN=8V~45V, VOUT=5V/2.1A)

## Ordering Information

| Package | Temperature Range | Part Number | Marking ID | Packing Type |
|---------|-------------------|-------------|------------|--------------|
|         |                   | Lead Free   | Lead Free  |              |
|         |                   | HM3511      | HM3511     |              |

## Absolute Maximum Ratings (Note1)

| Parameter  | Symbol       | Value              | Unit |
|--|--------------|--------------------|------|
| Input Voltage  | $V_{in}$     | -0.3 to 50         | V    |
| Feedback Pin Voltage   | $V_{FB}$     | -0.3 to $V_{in}$   | V    |
| Output Switch Pin Voltage  | $V_{Output}$ | -0.3 to $V_{in}$   | V    |
| Power Dissipation  | $P_D$        | Internally limited | mW   |
| Thermal Resistance (SOP8L)<br>(Junction to Ambient, No Heatsink, Free Air) | $R_{JA}$     | 100                | °C/W |
| Operating Junction Temperature   | $T_J$        | -40 to 125         | °C   |
| Storage Temperature  | $T_{STG}$    | -65 to 150         | °C   |
| Lead Temperature (Soldering, 10 sec)                                       | $T_{LEAD}$   | 260                | °C   |
| ESD (HBM)  |              | >2000              | V    |

**Note1:** Stresses greater than those listed under Maximum Ratings may cause permanent damage to the device. This is a stress rating only and functional operation of the device at these or any other conditions above those indicated in the operation is not implied. Exposure to absolute maximum rating conditions for extended periods may affect reliability.

### HM3511 Electrical Characteristics

$T_a = 25^\circ\text{C}$ ; unless otherwise specified.

| Symbol  | Parameter        | Test Condition   | Min. | Typ. | Max. | Unit |
|---|------------------|--|------|------|------|------|
| <i>System parameters test circuit figure4</i> |                  |  |      |      |      |      |
| VFB   | Feedback Voltage | $V_{in} = 8\text{V to } 45\text{V}, V_{out}=5\text{V}$<br>$I_{load}=0.5\text{A to } 2.1\text{A}$ | 4.9  | 5    | 5.1  | V    |
| Efficiency                                    | $\eta$           | $V_{in}=12\text{V}, V_{out}=5\text{V}$<br>$I_{out}=2.1\text{A}$                                  | -    | 90   | -    | %    |

### Electrical Characteristics (DC Parameters)

$V_{in} = 12\text{V}$ ,  $GND=0\text{V}$ ,  $V_{in}$  &  $GND$  parallel connect a  $47\mu\text{F}/50\text{V}$  capacitor;  $I_{out}=500\text{mA}$ ,  $T_a = 25^\circ\text{C}$ ; the others floating unless otherwise specified.

| Parameters                  | Symbol     | Test Condition   | Min. | Typ. | Max. | Unit |
|-----------------------------|------------|--|------|------|------|------|
| Input operation voltage     | $V_{in}$   |  | 8    |      | 45   | V    |
| Quiescent Supply Current    | $I_q$      | $V_{FB} = V_{in}$  |      | 4.7  | 10   | mA   |
| Output Short Supply Current | $I_{osp}$  |  |      |      | 5    | mA   |
| Oscillator Frequency        | $F_{osc}$  |  | 128  | 150  | 173  | KHz  |
| Switch Current Limit        | $I_L$      | $V_{FB} = 0$   |      | 2.3  |      | A    |
| Output Power PMOS           | $R_{dson}$ | $V_{FB}=0\text{V}, V_{in}=12\text{V},$<br>$I_{SW}=2\text{A}$ |      | 60   | 80   | mohm |

Typical System Application (VOUT=5V/2.1A)

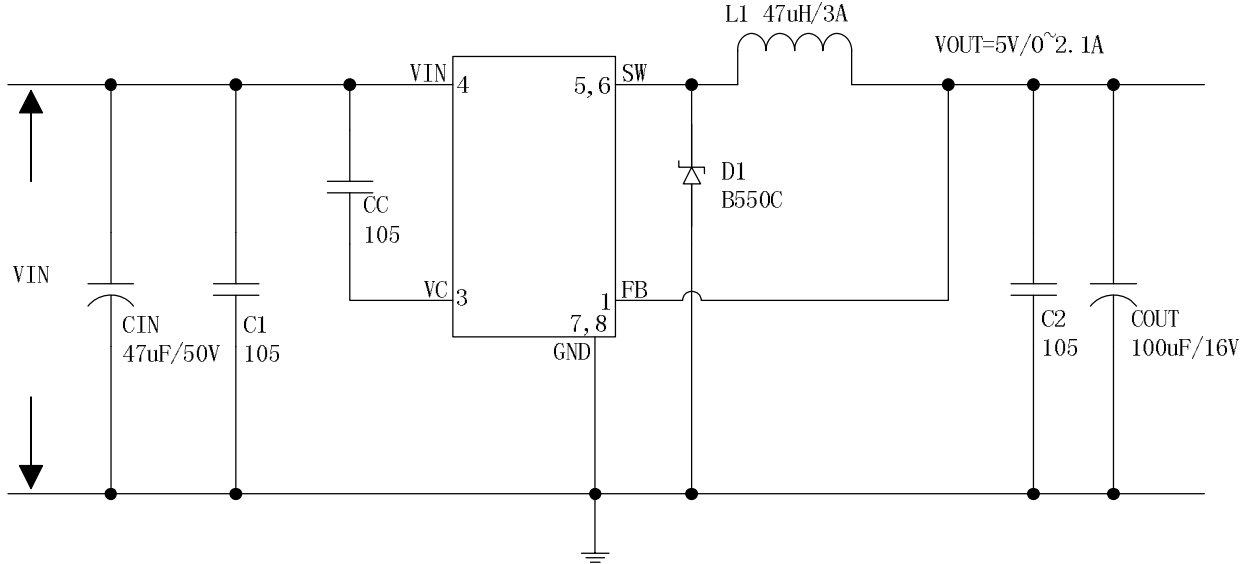


Figure5. HM3511System Parameters Test Circuit (VIN=8V~45V, VOUT=5V/2.1A)

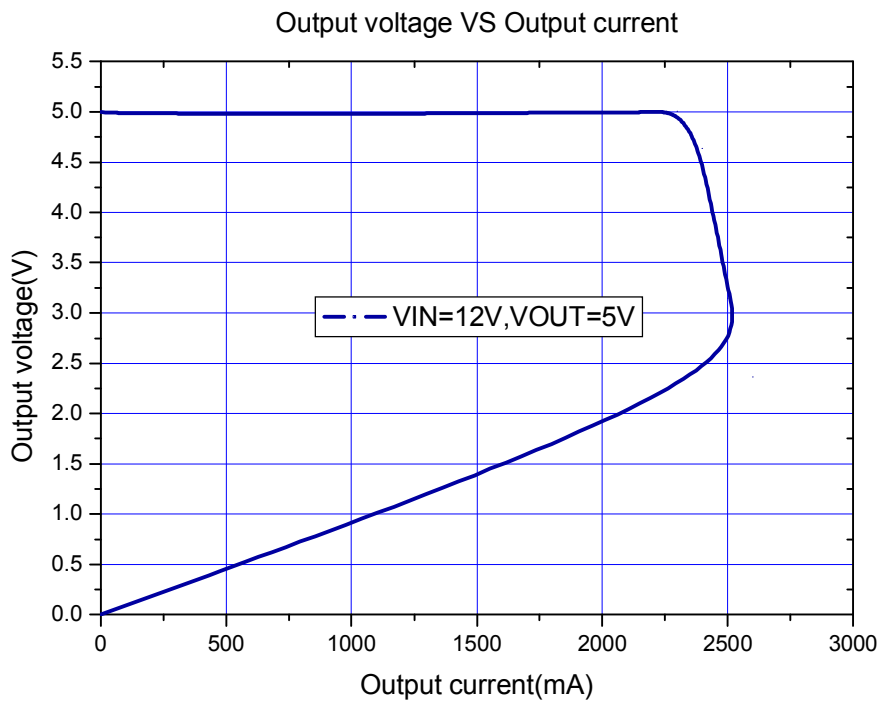


Figure6. HM3511 System Output Constant Current Curve

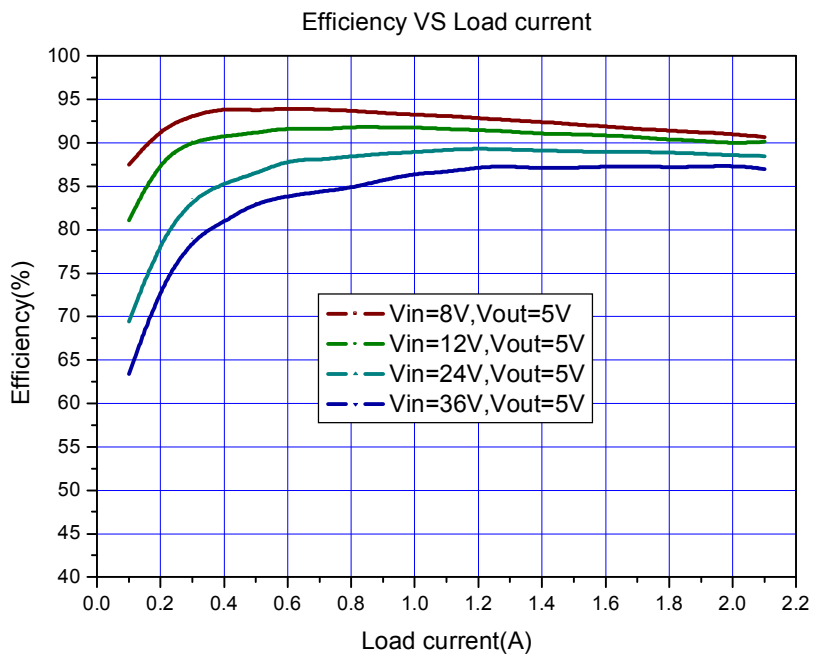


Figure7. HM3511 System Efficiency Curve

### Output short shutdown function description

The output short shutdown function is built in HM3511. The short protection circuit monitors the output voltage, whenever FB pin voltage is below 1.5V, the short circuit protection circuit is triggered, the converter will be shutdown, input current less than 5mA.

When the short fault is removed, if output load is floating, then converter will restart up, the output voltage will return to normal; if output load isn't floating, then converter must be power reset , the output voltage will comeback.

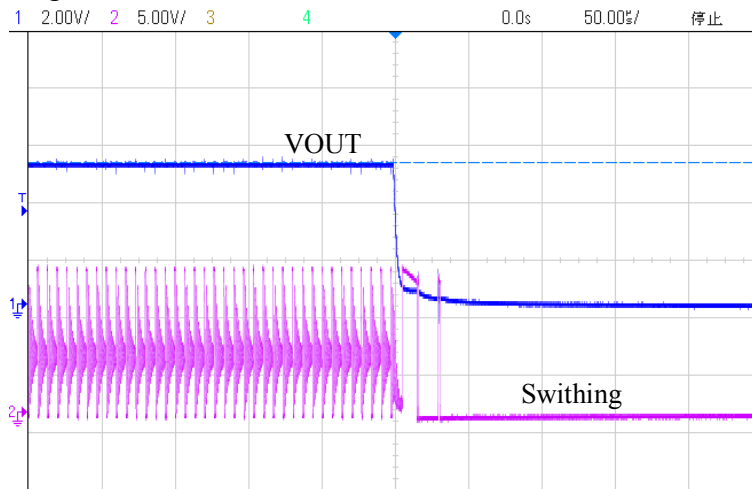


Figure8. The converter will be shutdown when output short happen.

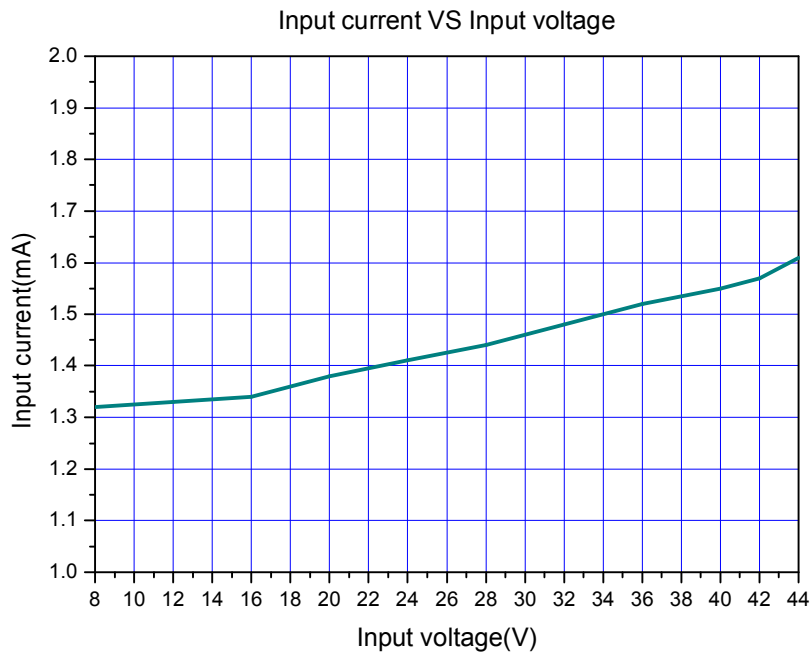


Figure9. The input current curve when output short happen.



Package Information

SOP8 Package Mechanical Dimensions

SOIC-8

Unit: mm(inch)

