

Features

- n Wide 3.6V to 24V Input Voltage Range
- n 0.22V FB adjustable LED drive current
- n Directly drive 6 Series 1W LED at $V_{IN} \geq 12V$
- n Fixed 400KHz Switching Frequency
- n Max. 2A Switching Current Capability
- n Up to 92% efficiency
- n Excellent line and load regulation
- n EN PIN TTL shutdown capability & With PWM Dimming Function
- n Internal Optimize Power MOSFET
- n Built in Soft-Start Function
- n Built in Frequency Compensation
- n Built in Thermal Shutdown Function
- n Built in Current Limit Function
- n Available in SOP8 package

Applications

- n LED Lighting
- n Boost constant current driver
- n Monitor LED Backlighting
- n 7' to 15' LCD Panels

General Description

The HM6283 regulator is fixed frequency PWM Boost (step-up) LED constant current driver, capable of driving Series 1W LED units with excellent line and load regulation. The regulator is simple to use because it includes internal frequency compensation and a fixed-frequency oscillator so that it requires a minimum number of external components to work.

The HM6283 could directly drive 6 Series 1W LED units at $V_{IN} > 12V$.

The PWM control circuit is able to adjust the duty ratio linearly from 0 to 95%. An enable function, an over current protection function is built inside. An internal compensation block is built in to minimize external component count.



SOIC-8

Figure1. Package Type of HM6283

Pin Configurations

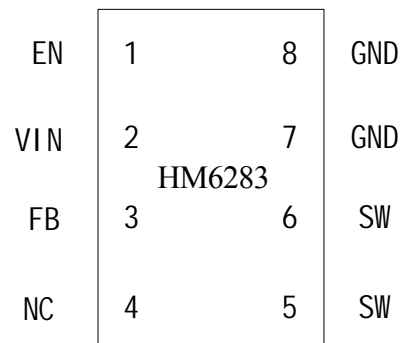


Figure2. Pin Configuration of HM6283 (Top View)

Table 1 Pin Description

Pin Number	Pin Name	Description
1	EN	Enable Pin. Drive EN pin low to turn off the device, drive it high to turn it on. Floating is default high.
2	VIN	Supply Voltage Input Pin. HM6283 operates from a 3.6V to 24V DC voltage. Bypass Vin to GND with a suitably large capacitor to eliminate noise on the input.
3	FB	Feedback Pin (FB). The feedback threshold voltage is 0.22V.
4	NC	No Connected.
5,6	SW	Power Switch Output Pin (SW). Output is the switch node that supplies power to the output.
7,8	GND	Ground Pin.

Ordering Information

Package	Temperature Range	Part Number	Marking ID	Packing Type
		Lead Free	Lead Free	
		HM6283	HM6283	Tube
		HM6283	HM6283	Tape & Reel

Absolute Maximum Ratings (Note1)

Parameter	Symbol	Value	Unit
Input Voltage	V_{in}	-0.3 to 26	V
Feedback Pin Voltage	V_{FB}	-0.3 to V_{in}	V
EN Pin Voltage	V_{EN}	-0.3 to V_{in}	V
Output Switch Pin Voltage	V_{Output}	-0.3 to 60	V
Power Dissipation	P_D	Internally limited	mW
Thermal Resistance (SOP8) (Junction to Ambient, No Heatsink, Free Air)	R_{JA}	100	°C/W
Operating Junction Temperature	T_J	-40 to 125	°C
Storage Temperature	T_{STG}	-65 to 150	°C
Lead Temperature (Soldering, 10 sec)	T_{LEAD}	260	°C
ESD (HBM)		>2000	V

Note1: Stresses greater than those listed under Maximum Ratings may cause permanent damage to the device. This is a stress rating only and functional operation of the device at these or any other conditions above those indicated in the operation is not implied. Exposure to absolute maximum rating conditions for extended periods may affect reliability.

400KHz 60V 2A Switching Current Boost LED Constant Current Driver

HM6283

HM6283 Electrical Characteristics

$T_a = 25^\circ\text{C}$; unless otherwise specified.

Symbol	Parameter	Test Condition	Min.	Typ.	Max.	Unit
<i>System parameters test circuit figure4</i>						
VFB	Feedback Voltage	$V_{in} = 5V \text{ to } 12V, V_{out}=24V$ $I_{load}=100mA$	209	220	231	mV
Efficiency	η	$V_{in}=12V, V_{out}=24V$ $I_{out}=0.3A$	-	92	-	%

Electrical Characteristics (DC Parameters)

$V_{in} = 12V, GND=0V, V_{in}$ & GND parallel connect a $100\mu f/50V$ capacitor; $I_{out}=100mA, T_a = 25^\circ\text{C}$; the others floating unless otherwise specified.

Parameters	Symbol	Test Condition	Min.	Typ.	Max.	Unit
Input operation voltage	V_{in}		3.6		24	V
Shutdown Supply Current	I_{STBY}	$V_{EN}=0V$		70	100	μA
Quiescent Supply Current	I_q	$V_{EN} = 2V,$ $V_{FB} = V_{in}$		2.5	5	mA
Oscillator Frequency	F_{osc}		320	400	480	Khz
Switch Current Limit	I_L	$V_{FB} = 0$		2		A
Output Power NMOS	R_{dson}	$V_{in}=12V,$ $I_{SW}=2A$		110	120	mohm
EN Pin Threshold	V_{EN}	High (Regulator ON) Low (Regulator OFF)		1.4 0.8		V
EN Pin Input Leakage Current	I_H	$V_{EN} = 2V$ (ON)		3	10	μA
	I_L	$V_{EN} = 0V$ (OFF)		3	10	μA
Max. Duty Cycle	D_{MAX}	$V_{FB}=0V$		90		%

Schottky Diode Selection Table

Current	Surface Mount	Through Hole	VR (The same as system maximum input voltage)				
			20V	30V	40V	50V	60V
1A		✓	1N5817	1N5818	1N5819		
3A		✓	1N5820	1N5821	1N5822		
		✓	MBR320	MBR330	MBR340	MBR350	MBR360
	✓		SK32	SK33	SK34	SK35	SK36
	✓			30WQ03	30WQ04	30WQ05	
		✓		31DQ03	31DQ04	31DQ05	
		✓	SR302	SR303	SR304	SR305	SR306

Typical System Application for VIN=5V to driver 3 x 1W series LED units

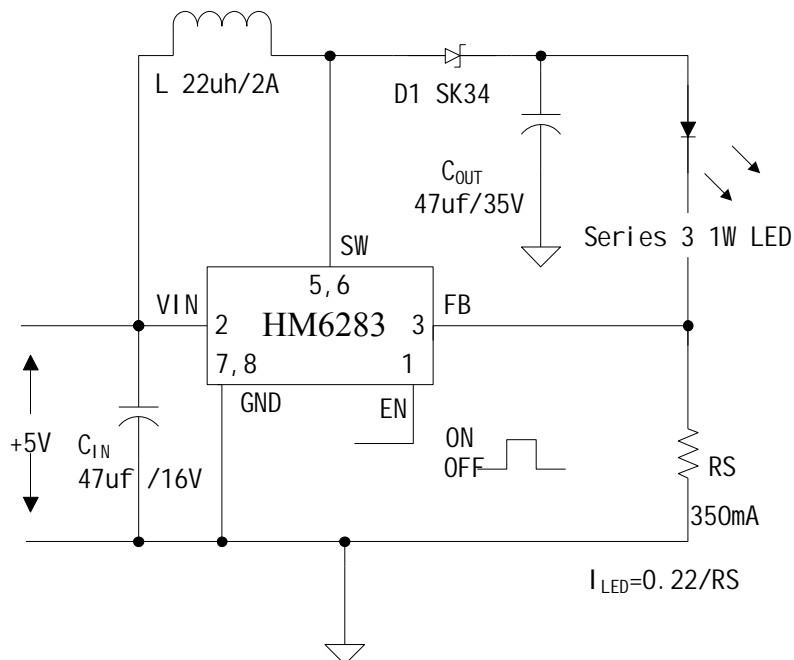


Figure5. HM6283 System Parameters Test Circuit (5V ~ 3 x 1W LED)

Typical System Application for $V_{IN} \geq 12V$ to driver 6 x 1W series LED units

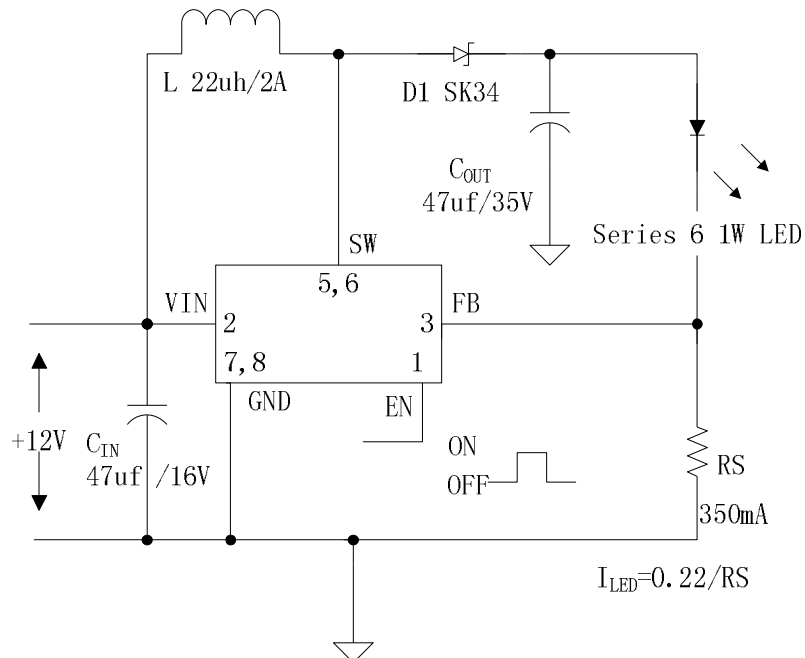


Figure6. HM6283 System Parameters Test Circuit (12V ~ 6 x 1W LED)

Typical System Application for $V_{IN} \geq 12V$ to driver 6 series x 28 parallel White LED Array

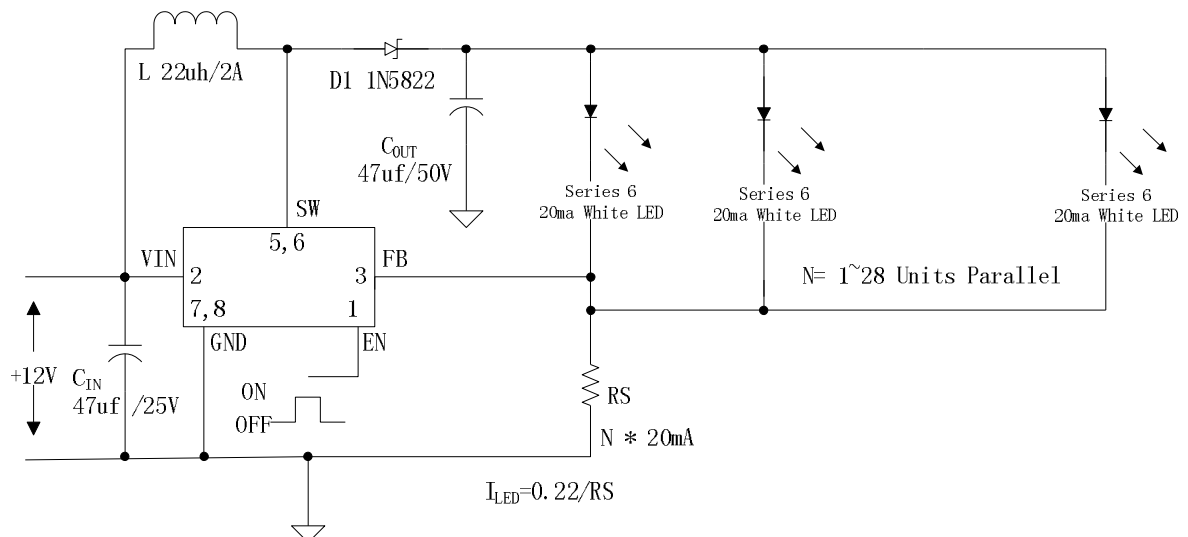


Figure7. HM6283 System Parameters Test Circuit (12V ~ 6 x 28 White LED)

Typical System Application for SEPIC Buck-Boost LED Driver

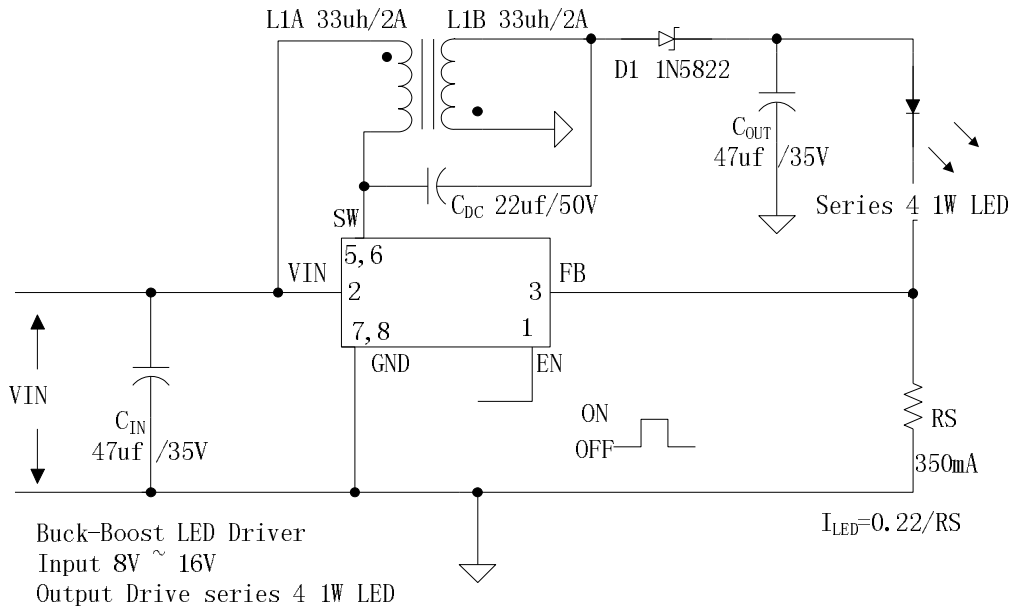


Figure8. HM6283 System Parameters Test Circuit (Buck-Boost LED Driver)

Typical System Application for VIN ≥ 12V to driver 6 x 1W series LED units With Dimming Function

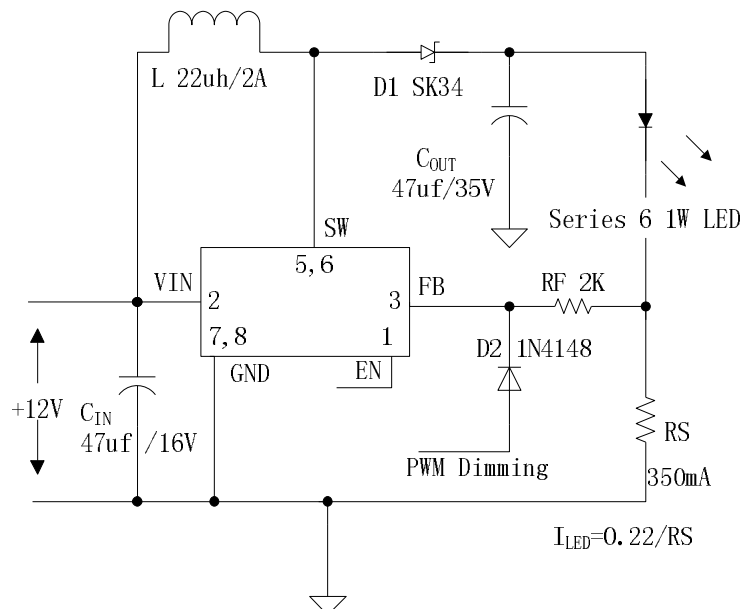


Figure9. HM6283 System Parameters Test Circuit (12V ~ 6 x 1W LED with Dimming Function)

Package Information

SOP8 Package Mechanical Dimensions

