



UTT75P03

Preliminary

Power MOSFET

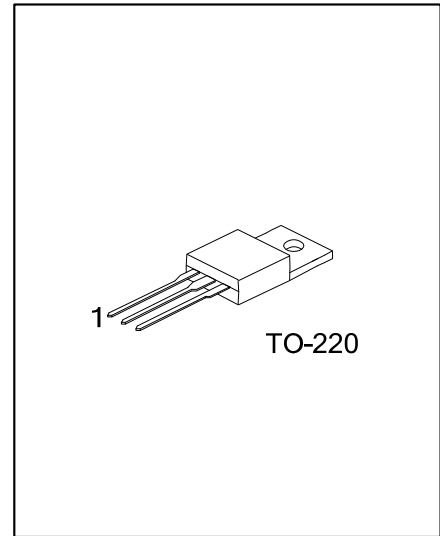
75A, 30V P-CHANNEL POWER MOSFET

DESCRIPTION

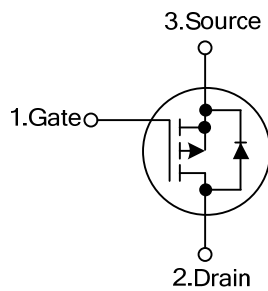
The UTC **UTT75P03** is a P-channel power MOSFET using UTC's advanced technology to provide the customers with high switching speed, high current capacity and a minimum on-state resistance.

FEATURES

- * $R_{DS(ON)}=5.5m\Omega @ V_{GS}=-10V, I_D=-30A$
- * High Switching Speed
- * High Current Capacity



SYMBOL



ORDERING INFORMATION

Ordering Number		Package	Pin Assignment			Packing
Lead Free	Halogen Free		1	2	3	
UTT75P03L-TA3-T	UTT75P03G-TA3-T	TO-220	G	D	S	Tube

Note: Pin Assignment: G: Gate D: Drain S: Source

UTT75P03L-TA3-T 	(1)Packing Type (2)Package Type (3)Lead Free	(1) T: Tube (2) TA3: TO-220 (3) G: Halogen Free, L: Lead Free
---------------------	--	---

■ ABSOLUTE MAXIMUM RATINGS ($T_C=25^\circ\text{C}$, unless otherwise specified)

PARAMETER		SYMBOL	RATINGS	UNIT
Drain-Source Voltage		V_{DSS}	-30	V
Gate-Source Voltage		V_{GSS}	± 20	V
Drain Current	Continuous	$T_C=25^\circ\text{C}$	-75 (Note 2)	A
		$T_C=125^\circ\text{C}$		A
	Pulsed	I_{DM}	-240	A
Avalanche Current		I_{AR}	-60	A
Repetitive Avalanche Energy (Note 3)	$L=0.1\text{mH}$	E_{AR}	180	mJ
Power Dissipation	$T_C=25^\circ\text{C}$	P_D	187	W
Junction Temperature		T_J	-55~175	$^\circ\text{C}$
Storage Temperature		T_{STG}	-55~175	$^\circ\text{C}$

Notes: 1. Absolute maximum ratings are those values beyond which the device could be permanently damaged.

Absolute maximum ratings are stress ratings only and functional device operation is not implied.

2. Package limited.

3. Duty cycles \leq 1%.

■ THERMAL DATA

PARAMETER	SYMBOL	RATINGS	UNIT
Junction to Ambient	θ_{JA}	62.5	$^\circ\text{C/W}$
Junction to Case	θ_{JC}	0.8	$^\circ\text{C/W}$

■ ELECTRICAL CHARACTERISTICS (T_J=25°C, unless otherwise specified)

PARAMETER	SYMBOL	TEST CONDITIONS	MIN	TYP	MAX	UNIT
OFF CHARACTERISTICS						
Drain-Source Breakdown Voltage	BV _{DSS}	I _D =-250μA, V _{GS} =0V	-30			V
Drain-Source Leakage Current	I _{DSS}	V _{DS} =-30V, V _{GS} =0V			-1	μA
		V _{DS} =-30V, V _{GS} =0V, T _J =125°C			-50	μA
		V _{DS} =-30V, V _{GS} =0V, T _J =175°C			-250	μA
Gate- Source Leakage Current	Forward	V _{GS} =+20V, V _{DS} =0V			+100	nA
	Reverse	V _{GS} =-20V, V _{DS} =0V			-100	nA
ON CHARACTERISTICS						
Gate Threshold Voltage	V _{GS(TH)}	V _{DS} =V _{GS} , I _D =-250μA	-1		-3	V
Static Drain-Source On-State Resistance (Note 1)	R _{DS(ON)}	V _{GS} =-10V, I _D =-30A		5.5	7	mΩ
		V _{GS} =-10V, I _D =-30A, T _J =125°C			10	mΩ
		V _{GS} =-10V, I _D =-30A, T _J =175°C			13	mΩ
		V _{GS} =-4.5V, I _D =-20A		8	10	mΩ
On State Drain Current (Note 1)	I _{D(ON)}	V _{GS} =-10V, V _{DS} =-5V	-120			A
DYNAMIC PARAMETERS (Note 2)						
Input Capacitance	C _{ISS}	V _{GS} =0V, V _{DS} =-25V, f=1.0MHz		9000		pF
Output Capacitance	C _{OSS}			1565		pF
Reverse Transfer Capacitance	C _{RSS}			715		pF
SWITCHING PARAMETERS						
Total Gate Charge	Q _G	V _{GS} =-10V, V _{DS} =-15V, I _D =-75A (Note 3)		160	240	nC
Gate to Source Charge	Q _{GS}			32		nC
Gate to Drain Charge	Q _{GD}			30		nC
Turn-ON Delay Time	t _{D(ON)}	V _{DD} =-15V, R _L =0.2Ω, I _D ≈-75A, V _{GEN} =-10V, R _G =2.5Ω (Note 3)		25	40	ns
Rise Time	t _R			225	360	ns
Turn-OFF Delay Time	t _{D(OFF)}			150	240	ns
Fall-Time	t _F			210	340	ns
SOURCE- DRAIN DIODE RATINGS AND CHARACTERISTICS (T_C=25°C) (Note 2)						
Maximum Body-Diode Continuous Current	I _S				-75	A
Maximum Body-Diode Pulsed Current	I _{SM}				-240	A
Drain-Source Diode Forward Voltage	V _{SD}	I _F =-75A, V _{GS} =0V		-1.2	-1.5	V
Body Diode Reverse Recovery Time	t _{rr}	I _F =-75A, di/dt=100A/μs		55	100	ns
Body Diode Reverse Recovery Charge	Q _{RR}			0.07	0.25	μC
Peak Reverse Recovery Current	I _{RM(REC)}			2.5	5	A

Notes: 1. Pulse test; pulse width ≤ 300μs, duty cycle ≤ 2%.

2. Guaranteed by design, not subject to production testing.

3. Independent of operating temperature.

UTC assumes no responsibility for equipment failures that result from using products at values that exceed, even momentarily, rated values (such as maximum ratings, operating condition ranges, or other parameters) listed in products specifications of any and all UTC products described or contained herein. UTC products are not designed for use in life support appliances, devices or systems where malfunction of these products can be reasonably expected to result in personal injury. Reproduction in whole or in part is prohibited without the prior written consent of the copyright owner. The information presented in this document does not form part of any quotation or contract, is believed to be accurate and reliable and may be changed without notice.