



UF840

Power MOSFET

8A, 500V, 0.85Ω, N-CHANNEL POWER MOSFET

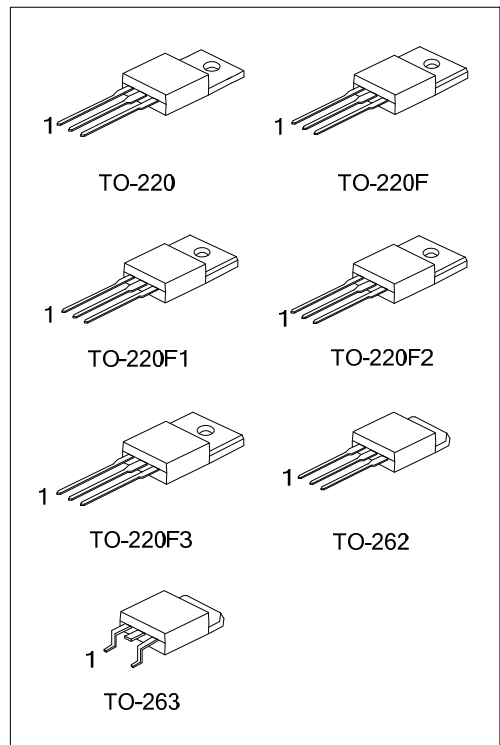
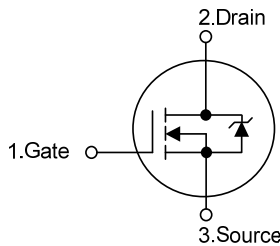
DESCRIPTION

The N-Channel enhancement mode silicon gate power MOSFET is designed for high voltage, high speed power switching applications such as switching regulators, switching converters, solenoid, motor drivers, relay drivers.

FEATURES

- * Low $R_{DS(ON)} < 0.85\Omega @ V_{GS} = 10V$
- * Single Pulse Avalanche Energy Rated
- * Fast Switching Speeds
- * Linear Transfer Characteristics
- * High Input Impedance

SYMBOL



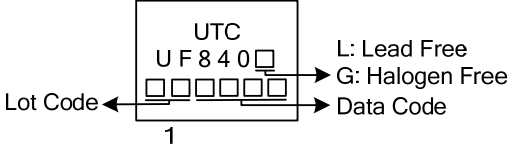
ORDERING INFORMATION

Ordering Number		Package	Pin Assignment			Packing
Lead Free	Halogen Free		1	2	3	
UF840L-TA3-T	UF840G-TA3-T	TO-220	G	D	S	Tube
UF840L-TF1-T	UF840G-TF1-T	TO-220F1	G	D	S	Tube
UF840L-TF2-T	UF840G-TF2-T	TO-220F2	G	D	S	Tube
UF840L-TF3-T	UF840G-TF3-T	TO-220F	G	D	S	Tube
UF840L-TF3T-T	UF840G-TF3T-T	TO-220F3	G	D	S	Tube
UF840L-T2Q-T	UF840G-T2Q-T	TO-262	G	D	S	Tube
UF840L-TQ2-T	UF840G-TQ2-T	TO-263	G	D	S	Tube
UF840L-TQ2-R	UF840G-TQ2-R	TO-263	G	D	S	Tape Reel

Note: Pin Assignment: G: Gate D: Drain S: Source

<p>UF840L-TA3-T</p> <p>(1)Packing Type (2)Package Type (3)Lead Free</p>	<p>(1) T: Tube, R: Tape Reel (2) TA3: TO-220, TF1: TO-220F1, TF2: TO-220F, TF3: TO-220F, TF3T: TO-220F3, T2Q: TO-262, TQ2: TO-263 (3) L: Lead Free, G: Halogen Free</p>
---	---

■ **MARKING INFORMATION**

PACKAGE	MARKING
TO-220 TO-220F TO-220F1 TO-220F2 TO-220F3 TO-262 TO-263	 <p> UTC U F 8 4 0 1 </p> <p> Lot Code ← → Data Code </p> <p> L: Lead Free G: Halogen Free </p>

■ ABSOLUTE MAXIMUM RATINGS (T_A = 25°C, unless Otherwise Specified.)

PARAMETER		SYMBOL	RATINGS	UNIT
Drain to Source Voltage (T _J = 25°C ~ 125°C)		V _{DSS}	500	V
Drain to Gate Voltage (R _{GS} = 20kΩ, T _J = 25°C ~ 125°C)		V _{DGR}	500	V
Gate to Source Voltage		V _{GSS}	±30	V
Drain Current	Continuous	I _D	8.0	A
	Pulsed	I _{DM}	32	A
Power Dissipation (T _C = 25°C)	TO-220	P _D	134	W
	TO-220F/TO-220F1		44	
	TO-220F3		46	
	TO-220F2		134	
	TO-262/TO-263		134	
Single Pulse Avalanche Energy		E _{AS}	510	mJ
Operating Temperature		T _{OPR}	-55 ~ +150	°C
Storage Temperature		T _{STG}	-55 ~ +150	°C

Note: Absolute maximum ratings are those values beyond which the device could be permanently damaged.

Absolute maximum ratings are stress ratings only and functional device operation is not implied.

■ THERMAL DATA

PARAMETER		SYMBOL	RATINGS	UNIT
Junction to Ambient		θ _{JA}	62.5	°C/W
Junction to Case	TO-220	θ _{JC}	0.93	°C/W
	TO-220F/TO-220F1		2.86	
	TO-220F3		2.72	
	TO-220F2		0.93	
	TO-262/TO-263		0.93	

■ ELECTRICAL SPECIFICATIONS (T_A = 25°C, unless Otherwise Specified.)

PARAMETER	SYMBOL	TEST CONDITIONS	MIN	TYP	MAX	UNIT
Drain-Source Breakdown Voltage	BV _{DSS}	I _D = 250μA, V _{GS} = 0V	500			V
Gate Threshold Voltage	V _{GS(TH)}	V _{GS} = V _{DS} , I _D = 250μA	2		4	V
On-State Drain Current (Note 1)	I _{D(ON)}	V _{DS} > I _{D(ON)} × R _{DS(ON)MAX} , V _{GS} = 10V	8			A
Drain-Source Leakage Current	I _{DSS}	V _{DS} = Rated BV _{DSS} , V _{GS} = 0V			25	μA
		V _{DS} = 0.8 × Rated BV _{DSS} , V _{GS} = 0V, T _J = 125°C			250	μA
Gate-Source Leakage Current	I _{GSS}	V _{GS} = ±30V			±100	nA
Static Drain-Source On-State Resistance (Note 1)	R _{DS(ON)}	V _{GS} = 10V, I _D = 4.4A		0.73	0.85	Ω
Turn-On Delay Time	t _{DLY(ON)}	V _{DD} = 30V, I _D ≈ 1A, R _G = 9.1Ω, R _L = 30Ω (Note 2)		60	70	ns
Turn-Off Delay Time	t _{DLY(OFF)}		260	300	ns	
Turn-On Rise Time	t _R		60	70	ns	
Turn-Off Fall Time	t _F		90	110	ns	
Total Gate Charge	Q _{G(TOT)}		V _{GS} = 10V, I _D = 8A, V _{DS} = 120V		116	120
Gate-Source Charge	Q _{GS}	I _{G(REF)} = 3.3mA (Note 3)		13		nC
Gate-Drain Charge	Q _{GD}		22		nC	
Input Capacitance	C _{ISS}	V _{DS} = 25V, V _{GS} = 0V, f = 1.0MHz		750		pF
Output Capacitance	C _{OSS}		130		pF	
Reverse Transfer Capacitance	C _{RSS}		16		pF	

Note : 1. Pulse Test: Pulse width ≤ 300μs, Duty Cycle ≤ 2%.

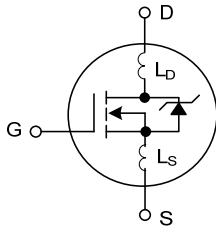
2. MOSFET Switching Times are Essentially Independent of Operating Temperature.

3. Gate Charge is Essentially Independent of Operating Temperature.

INTERNAL PACKAGE INDUCTANCE

PARAMETER	SYMBOL	MIN	TYP	MAX	UNIT
DRAIN INDUCTANCE					
Measured from the contact screw on tab to center of die	L_D		3.5		nH
Measured from the drain lead(6mm from package) to center of die			4.5		nH
SOURCE INDUCTANCE					
Measured from the source lead(6mm from header) to source bond pad	L_S		7.5		nH

Remark: Modified MOSFET symbol showing the internal devices inductances as below.

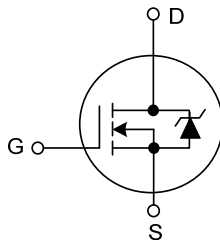


SOURCE TO DRAIN DIODE SPECIFICATIONS

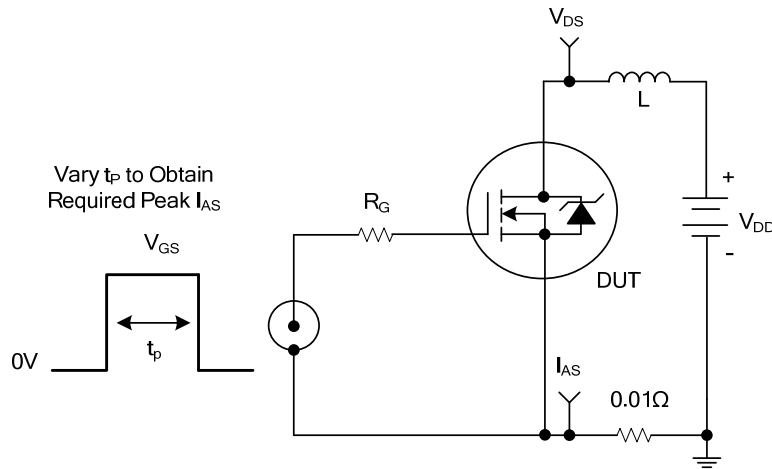
PARAMETER	SYMBOL	TEST CONDITIONS	MIN	TYP	MAX	UNIT
Source to Drain Diode Voltage(Note 1)	V_{SD}	$T_J = 25^\circ\text{C}, I_{SD} = 8.0\text{A}, V_{GS} = 0\text{V}$			2	V
Continuous Source to Drain Current	I_{SD}	Note 2			8	A
Pulse Source to Drain Current	I_{SDM}				32	A
Reverse Recovery Time	t_{rr}	$T_J = 25^\circ\text{C}, I_{SD} = 8.0\text{A}, dI_{SD}/dt = 100\text{A}/\mu\text{s}$	210	475	970	ns
Reverse Recovery Charge	Q_{RR}	$T_J = 25^\circ\text{C}, I_{SD} = 8.0\text{A}, dI_{SD}/dt = 100\text{A}/\mu\text{s}$	2	4.6	8.2	μC

Notes: 1. Pulse Test: Pulse width $\leq 300\mu\text{s}$, Duty Cycle $\leq 2\%$.

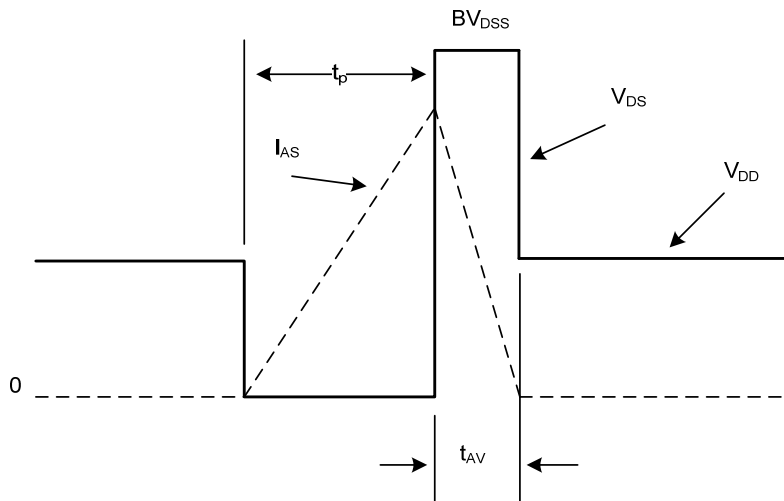
2. Modified MOSFET symbol showing the integral reverse P-N junction diode as below.



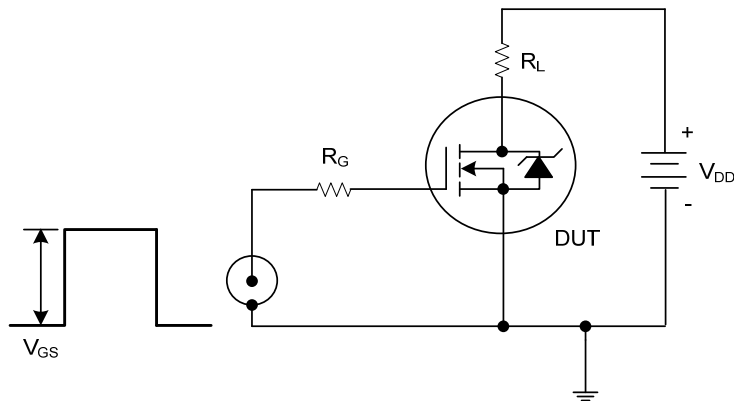
■ TEST CIRCUITS AND WAVEFORMS



Unclamped Energy Test Circuit

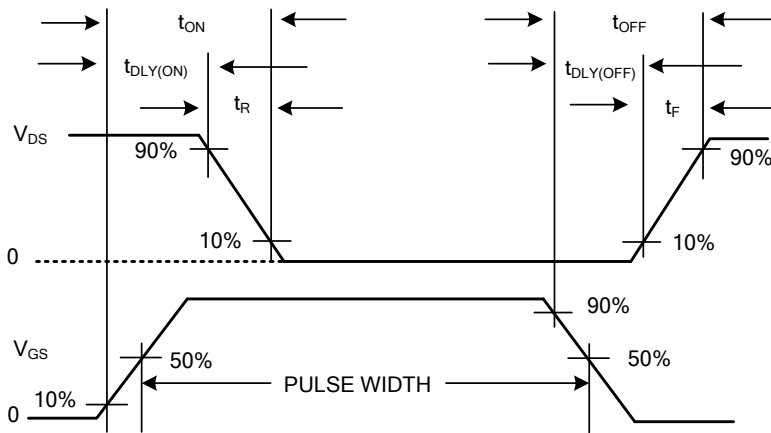


Unclamped Energy Waveforms

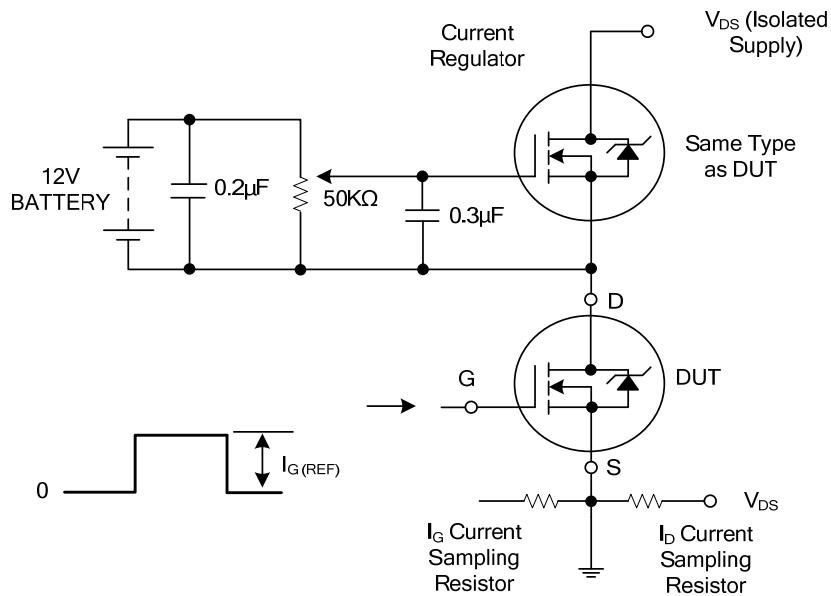


Switching Time Test Circuit

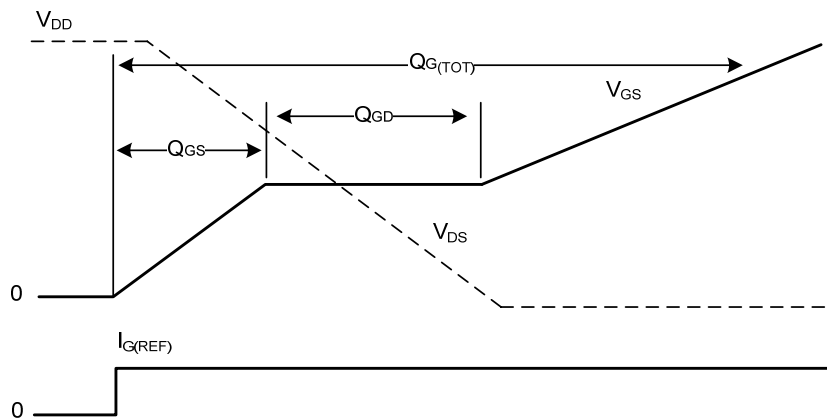
■ TEST CIRCUITS AND WAVEFORMS (Cont.)



Resistive Switching Waveforms

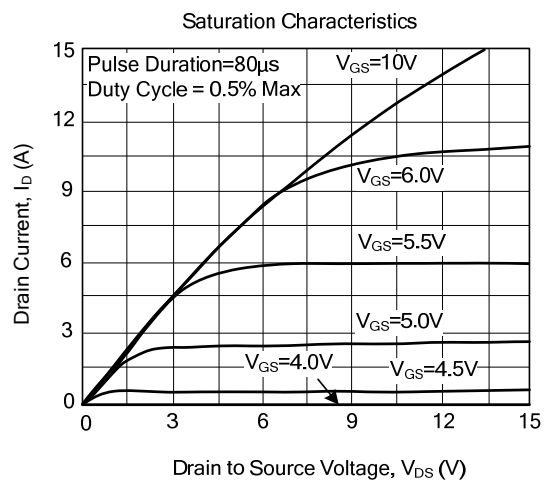
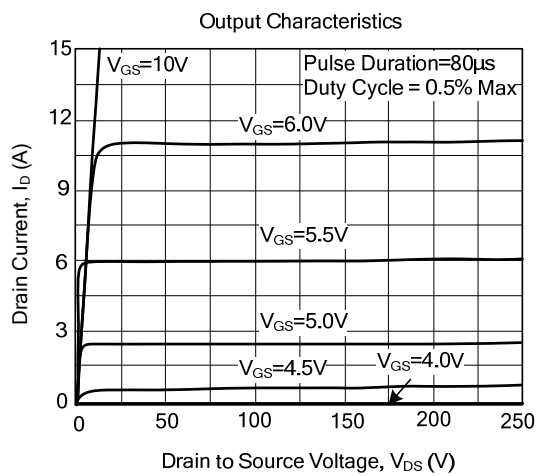
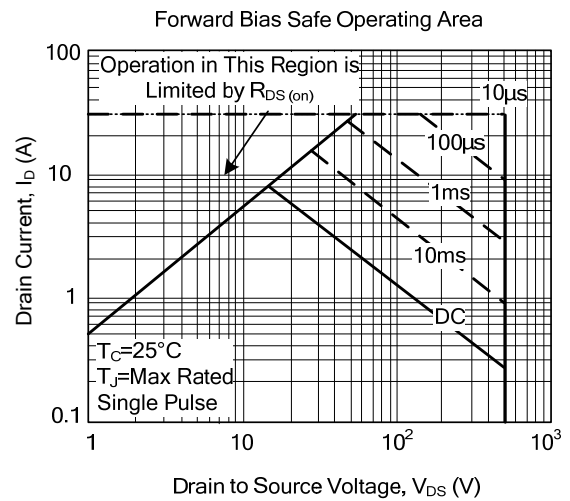
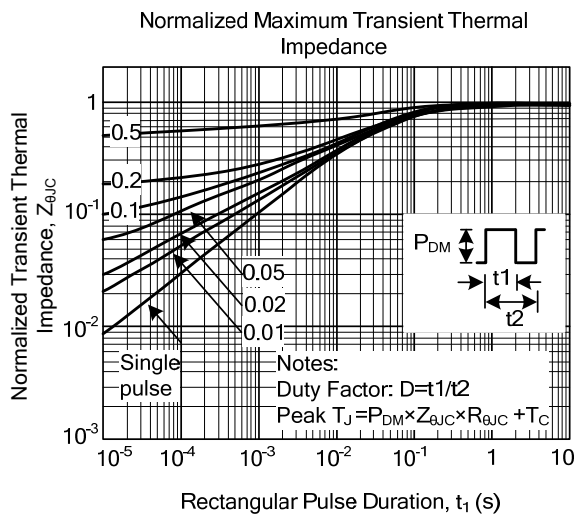
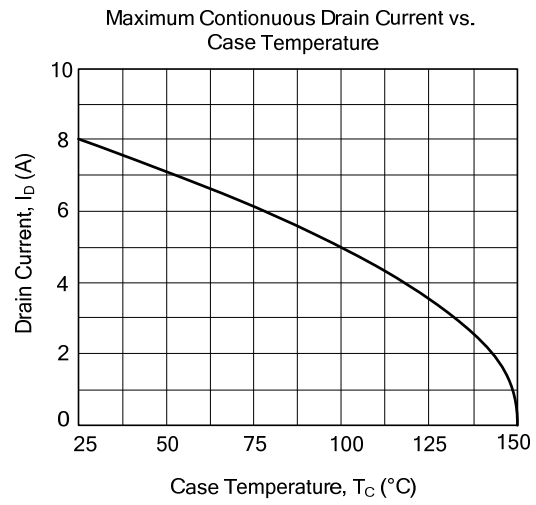
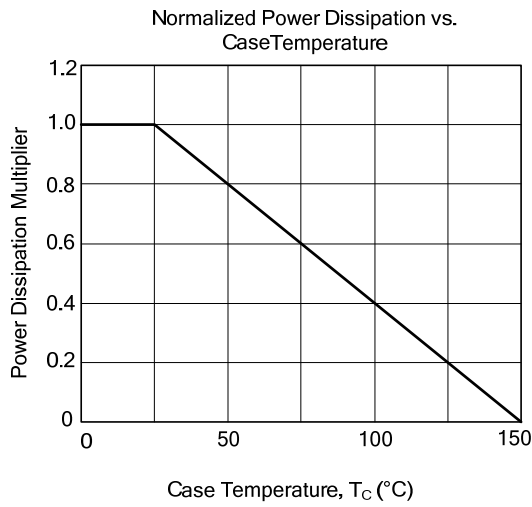


Gate Charge Test Circuit

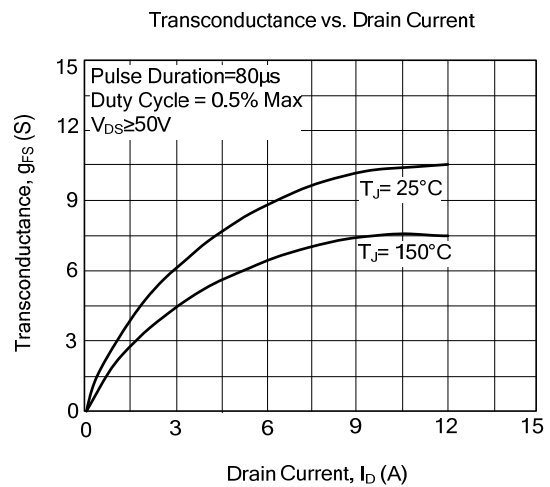
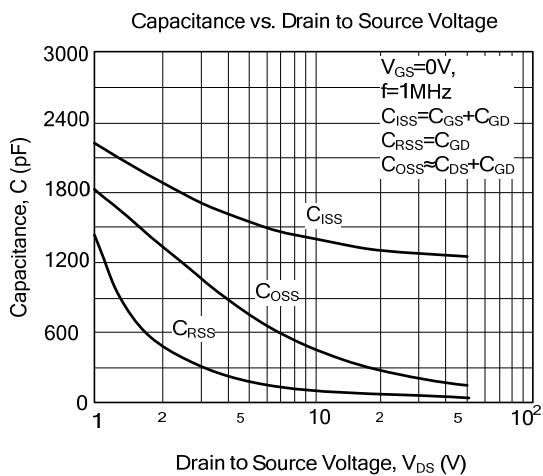
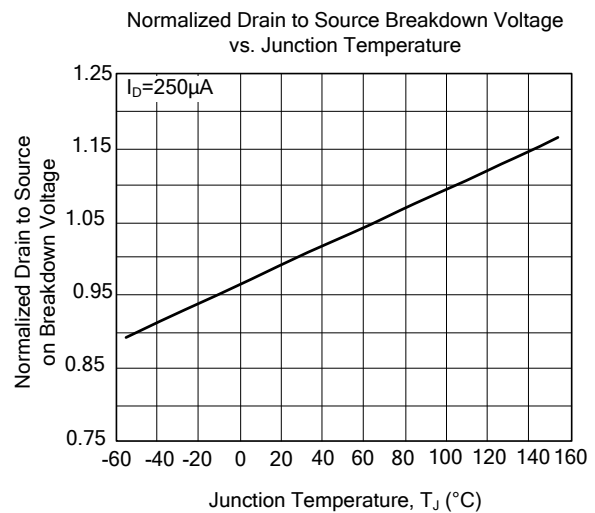
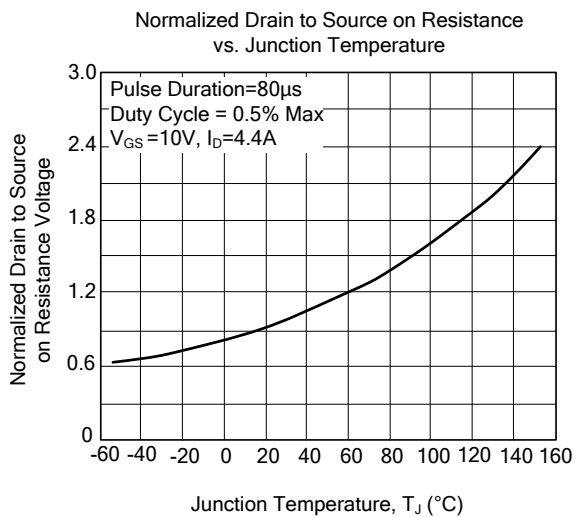
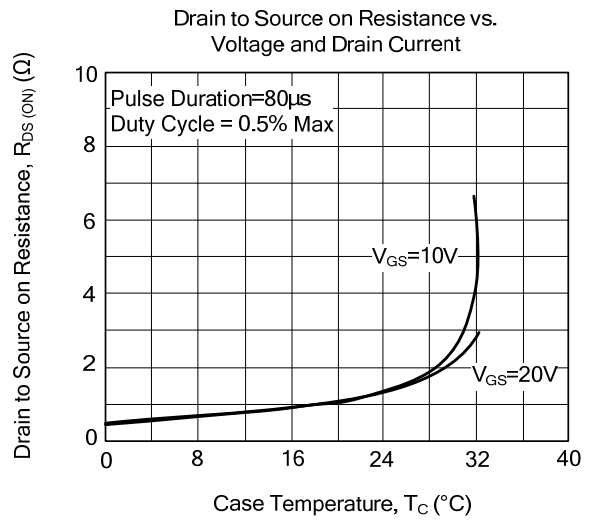
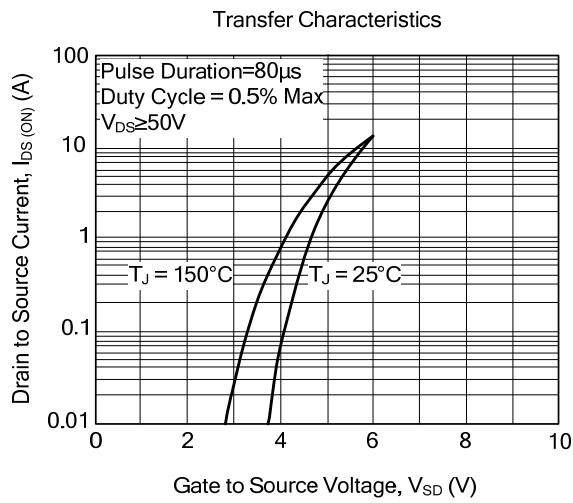


Gate Charge Waveforms

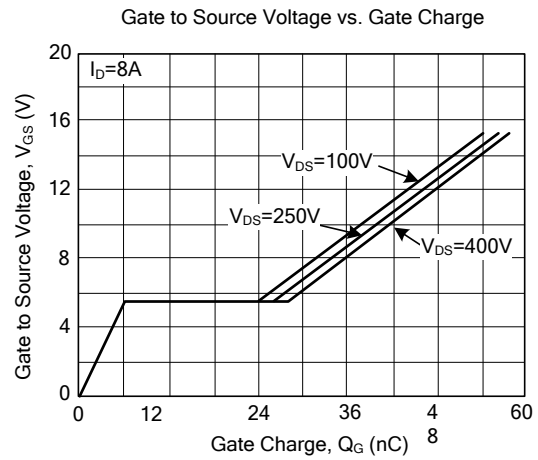
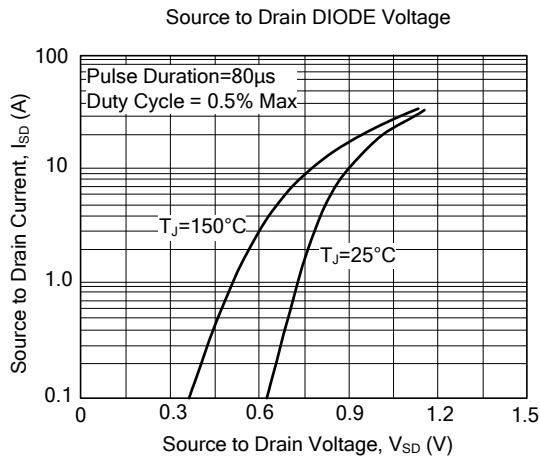
TYPICAL CHARACTERISTICS



■ TYPICAL CHARACTERISTICS(Cont.)



■ TYPICAL CHARACTERISTICS(Cont.)



UTC assumes no responsibility for equipment failures that result from using products at values that exceed, even momentarily, rated values (such as maximum ratings, operating condition ranges, or other parameters) listed in products specifications of any and all UTC products described or contained herein. UTC products are not designed for use in life support appliances, devices or systems where malfunction of these products can be reasonably expected to result in personal injury. Reproduction in whole or in part is prohibited without the prior written consent of the copyright owner. The information presented in this document does not form part of any quotation or contract, is believed to be accurate and reliable and may be changed without notice.