



UT2301Z

Power MOSFET

-2.8A, -20V P-CHANNEL ENHANCEMENT MODE POWER MOSFET

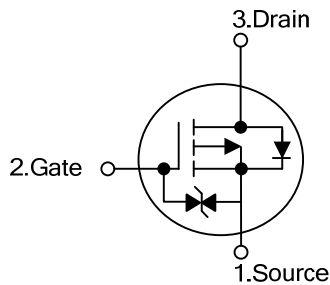
DESCRIPTION

The UTC **UT2301Z** is a P-channel enhancement mode power MOSFET with fast switching speed, low on-resistance and favorable stabilization. It can be used in commercial and industrial surface mount applications and suited for low voltage applications such as DC/DC converters.

FEATURES

- * Very High Density Cell Design for Low On-Resistance
- * Very Good Thermal and Electrical Capabilities

SYMBOL



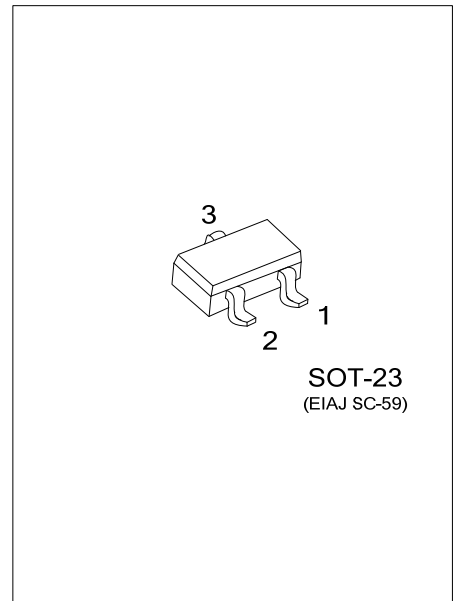
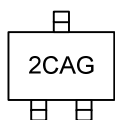
ORDERING INFORMATION

Ordering Number	Package	Pin Assignment			Packing
		1	2	3	
UT2301ZG-AE3-R	SOT-23	S	G	D	Tape Reel

Note: Pin Assignment: S: Source G: Gate D: Drain

UT2301ZG-AE3-R 	(1) Packing Type (2) Package Type (3) Green Package	(1) R: Tape Reel (2) AE3: SOT-23 (3) G: Halogen Free and Lead Free
--------------------	---	--

MARKING



■ ABSOLUTE MAXIMUM RATINGS ($T_A = 25^\circ\text{C}$, unless otherwise specified)

PARAMETER	SYMBOL	RATING	UNITS
Drain-Source Voltage	V_{DS}	-20	V
Gate-Source Voltage	V_{GS}	± 8	V
Continuous Drain Current	I_D	-2.8	A
Pulsed Drain Current (Note 2, 3)	I_{DM}	-10	A
Total Power Dissipation (Note 4)	P_D	1.25	W
Junction Temperature	T_J	+150	$^\circ\text{C}$
Storage Temperature	T_{STG}	-55 ~ +150	$^\circ\text{C}$

Notes: 1. Absolute maximum ratings are those values beyond which the device could be permanently damaged.

Absolute maximum ratings are stress ratings only and functional device operation is not implied.

2. Pulse width limited by $T_{J(MAX)}$
3. Pulse width $\leq 300\mu\text{s}$, duty cycle $\leq 2\%$
4. Surface mounted on 1 in 2 copper pad of FR4 board.

■ THERMAL DATA (Note)

PARAMETER	SYMBOL	RATING	UNIT
Junction to Ambient	θ_{JA}	100	$^\circ\text{C/W}$

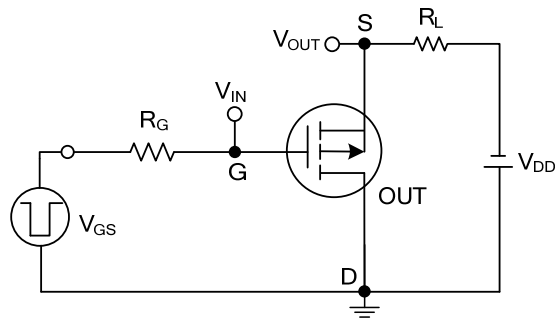
Notes: Surface mounted on FR4 board $t \leq 5\%$ sec

■ ELECTRICAL CHARACTERISTICS ($I_D = -2.3\text{A}$, $T_A = 25^\circ\text{C}$, unless otherwise specified)

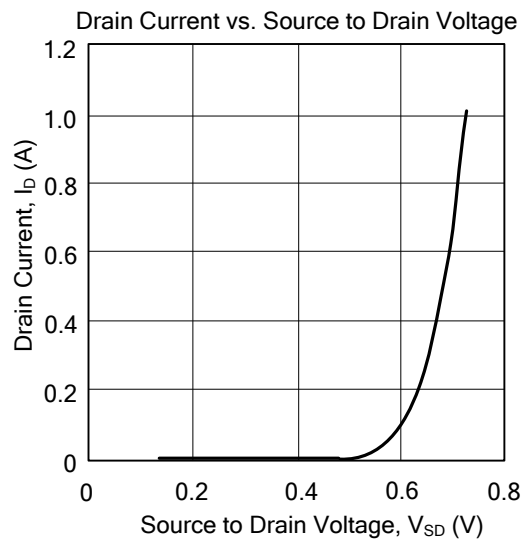
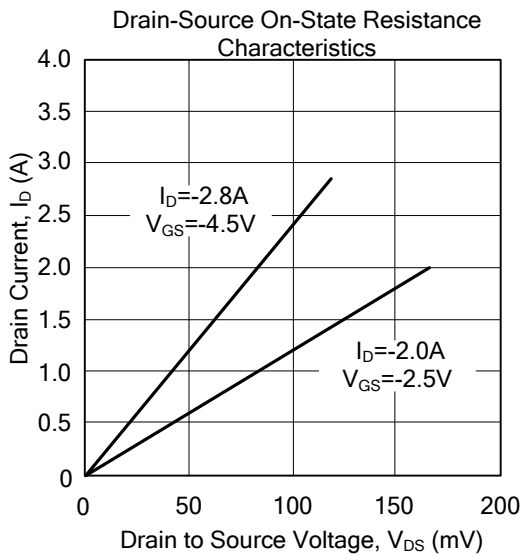
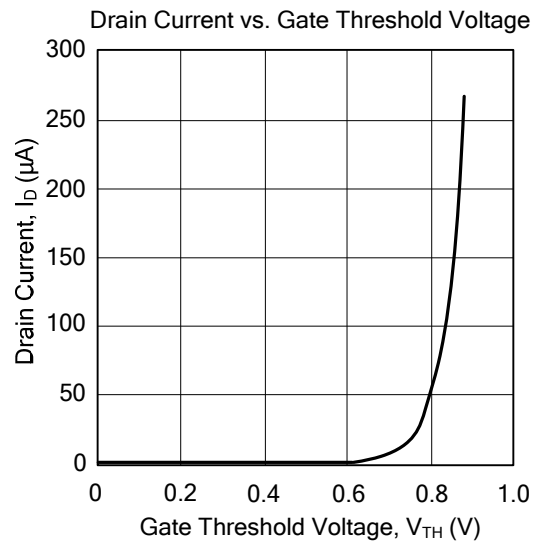
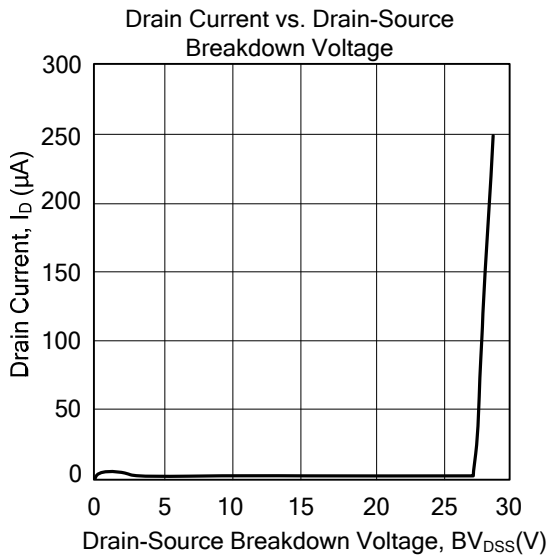
PARAMETER	SYMBOL	TEST CONDITIONS	MIN	TYP	MAX	UNITS
OFF CHARACTERISTICS						
Drain-Source Breakdown Voltage	BV_{DSS}	$V_{GS}=0\text{V}$, $I_D=-250\mu\text{A}$	-20			V
Zero Gate Voltage Drain Current	I_{DSS}	$V_{DS}=-16\text{V}$, $V_{GS}=0\text{V}$			-1.0	μA
Gate-Source Leakage Current	I_{GSS}	$V_{GS}=\pm 8\text{V}$, $V_{DS}=0\text{V}$			± 5	μA
ON CHARACTERISTICS						
Gate Threshold Voltage	$V_{GS(TH)}$	$V_{DS}=V_{GS}$, $I_D=-250\mu\text{A}$	-0.45			V
Static Drain-Source On-State Resistance	$R_{DS(ON)}$	$V_{GS}=-4.5\text{V}$, $I_D=-2.8\text{A}$		95	130	$\text{m}\Omega$
		$V_{GS}=-2.5\text{V}$, $I_D=-2.0\text{A}$		122	190	$\text{m}\Omega$
On-State Drain Current	$I_{D(ON)}$	$V_{DS}=-5\text{V}$, $V_{GS}=-10\text{V}$	-6			A
Forward Transconductance	g_{FS}	$V_{DS}=-5\text{V}$, $I_D=-2.8\text{A}$		6.5		S
DYNAMIC CHARACTERISTICS						
Input Capacitance	C_{ISS}	$V_{GS}=0\text{V}$, $V_{DS}=-6\text{V}$, $f=1.0\text{MHz}$		447		pF
Output Capacitance	C_{OSS}			127		pF
Reverse Transfer Capacitance	C_{RSS}			80		pF
SWITCHING CHARACTERISTICS						
Total Gate Charge (Note)	Q_G	$V_{DS}=-6\text{V}$, $V_{GS}=-4.5\text{V}$, $I_D=-2.8\text{A}$		5.4	10	nC
Gate-Source Charge	Q_{GS}			0.8		nC
Gate-Drain Charge	Q_{GD}			1.1		nC
Turn-ON Delay Time (Note)	$t_{D(ON)}$	$V_{DD}=-6\text{V}$, $V_{GEN}=-4.5\text{V}$, $I_D=-1\text{A}$, $R_G=6\Omega$, $R_L=6\Omega$		5	25	ns
Turn-ON Rise Time	t_R			19	60	ns
Turn-OFF Delay Time	$t_{D(OFF)}$			95	110	ns
Turn-OFF Fall Time	t_F			65	80	ns
SOURCE- DRAIN DIODE RATINGS AND CHARACTERISTICS						
Diode Forward Voltage (Note)	V_{SD}	$I_S=-1.6\text{A}$, $V_{GS}=0\text{V}$		-0.8	-1.2	V
Maximum Diode Forward Current	I_S				-1.6	A

Notes: Pulse width $\leq 300\mu\text{s}$, Duty Cycle $\leq 2\%$

■ SWITCHING TEST CIRCUIT



TYPICAL CHARACTERISTICS



UTC assumes no responsibility for equipment failures that result from using products at values that exceed, even momentarily, rated values (such as maximum ratings, operating condition ranges, or other parameters) listed in products specifications of any and all UTC products described or contained herein. UTC products are not designed for use in life support appliances, devices or systems where malfunction of these products can be reasonably expected to result in personal injury. Reproduction in whole or in part is prohibited without the prior written consent of the copyright owner. The information presented in this document does not form part of any quotation or contract, is believed to be accurate and reliable and may be changed without notice.