

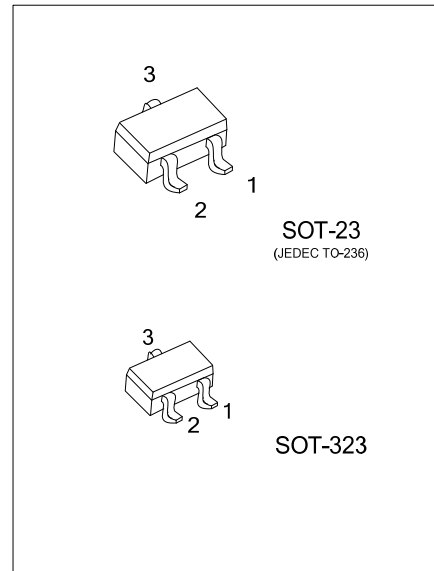


K1875

Preliminary

JFET

FIELD EFFECT TRANSISTOR SILICON N CHANNEL JUNCTION TYPE



DESCRIPTION

The UTC **K1875** is an N-channel JFET, it uses UTC's advanced technology to provide customers low input capacitance and high forward transfer admittance.

The UTC **K1875** is suitable for high frequency amplifier and audio frequency amplifier applications, etc.

FEATURES

- * High forward transfer admittance
- * Low input capacitance

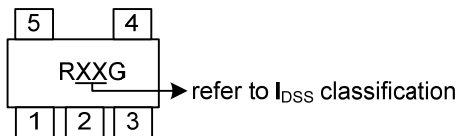
ORDERING INFORMATION

Ordering Number	Package	Pin Assignment			Packing
		1	2	3	
K1875G-xx-AE3-R	SOT-23	D	S	G	Tape Reel
K1875G-xx-AQ3-R	SOT-723	D	S	G	Tape Reel

Note: Pin Assignment: D: Drain S: Source G: Gate

<p>K1875G-xx-AE3-R</p>	<p>(1) R: Tape Reel (2) AE3: SOT-23, AL3: SOT-323 (3) xx: refer to Classification of I_{DSS} (4) G: Halogen Free and Lead Free</p>
------------------------	---

MARKING



■ ABSOLUTE MAXIMUM RATINGS ($T_A=25^\circ\text{C}$, unless otherwise specified)

PARAMETER	SYMBOL	RATINGS	UNIT
Gate-Drain Voltage	V_{GDS}	-20	V
Gate-Current	I_G	10	mA
Drain Power Dissipation	P_D	100	mW
Junction Temperature	T_J	125	$^\circ\text{C}$
Storage Temperature Range	T_{STG}	-55~125	$^\circ\text{C}$

Note: Absolute maximum ratings are those values beyond which the device could be permanently damaged. Absolute maximum ratings are stress ratings only and functional device operation is not implied.

■ ELECTRICAL CHARACTERISTICS ($T_A=25^\circ\text{C}$, unless otherwise specified)

PARAMETER	SYMBOL	TEST CONDITIONS	MIN	TYP	MAX	UNIT
Gate Leakage Current	I_{GSS}	$V_{GS}=-15\text{V}, V_{DS}=0\text{V}$			-1.0	nA
Gate-Drain Breakdown Voltage	$V_{(BR)GDS}$	$V_{DS}=0\text{V}, I_G=-100\mu\text{A}$	-20			V
Drain Current	I_{DSS}	$V_{DS}=5\text{V}, V_{GS}=0\text{V}$	6		32	mA
Gate-Source Cut-Off Voltage	$V_{GS}(\text{OFF})$	$V_{DS}=5\text{V}, I_D=1\mu\text{A}$			-2.5	V
Forward Transfer Admittance	$ Y_{fs} $	$V_{DS}=5\text{V}, V_{GS}=0\text{V}, f=1\text{kHz}$	15	25		mS
Input Capacitance	C_{iss}	$V_{DS}=5\text{V}, V_{GS}=0\text{V}, f=1\text{MHz}$		7.5	10	pF
Reverse Transfer Capacitance	C_{rss}	$V_{DG}=5\text{V}, I_D=0\text{V}, f=1\text{MHz}$		2	3	pF

■ CLASSIFICATION OF I_{DSS}

RANK	GR	BL	V
RANGE	6~12	10~20	16~32

UTC assumes no responsibility for equipment failures that result from using products at values that exceed, even momentarily, rated values (such as maximum ratings, operating condition ranges, or other parameters) listed in products specifications of any and all UTC products described or contained herein. UTC products are not designed for use in life support appliances, devices or systems where malfunction of these products can be reasonably expected to result in personal injury. Reproduction in whole or in part is prohibited without the prior written consent of the copyright owner. The information presented in this document does not form part of any quotation or contract, is believed to be accurate and reliable and may be changed without notice.