



2SC2383

Preliminary

NPN EPITAXIAL SILICON TRANSISTOR

COLOR TV AUDIO OUTPUT & COLOR TV VERTICAL OUTPUT

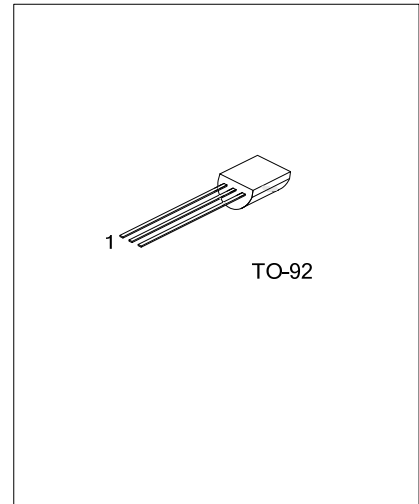
DESCRIPTION

The UTC **2SC2383** is an NPN epitaxial silicon transistor, it uses UTC's advanced technology to provide customers high DC current gain and high breakdown voltage.

The UTC **2SC2383** is usually used in Color TV Vertical Deflection Output and Audio Output.

FEATURES

- * High breakdown Voltage
- * High DC Current Gain



ORDERING INFORMATION

Ordering Number		Package	Pin Assignment			Packing
Lead Free	Halogen Free		1	2	3	
2SC2383L-T92-B	2SC2383G-T92-B	TO-92	E	C	B	Tape Box

<p>2SC2383L-T92-B</p> <p>(1) Packing Type</p> <p>(2) Package Type</p> <p>(3) Halogen Free</p>	<p>(1) B: Tape Box</p> <p>(2) T92: TO-92</p> <p>(3) Halogen Free, L: Lead Free</p>
---	--

■ ABSOLUTE MAXIMUM RATINGS ($T_A=25^\circ\text{C}$, unless otherwise noted)

PARAMETER	SYMBOL	RATINGS	UNIT
Collector-Base Voltage	V_{CBO}	160	V
Collector-Emitter Voltage	V_{CEO}	160	V
Emitter-Base Voltage	V_{EBO}	6	V
Collector Current	I_C	1	A
Base Current	I_B	0.5	A
Collector Power Dissipation	P_C	900	mW
Junction Temperature	T_J	+150	$^\circ\text{C}$
Storage Temperature	T_{STG}	-55 ~ 150	$^\circ\text{C}$

Note: Absolute maximum ratings are those values beyond which the device could be permanently damaged. Absolute maximum ratings are stress ratings only and functional device operation is not implied.

■ ELECTRICAL CHARACTERISTICS ($T_A=25^\circ\text{C}$, unless otherwise noted)

PARAMETER	SYMBOL	TEST CONDITIONS	MIN	TYP	MAX	UNIT
Collector Cut-Off Current	I_{CBO}	$V_{CE}=150\text{V}, I_E=0$			1	μA
Emitter Cut-Off Current	I_{EBO}	$V_{EB}=6\text{V}, I_C=0$			1	μA
Collector-Emitter Breakdown Voltage	BV_{CEO}	$I_C=10\text{mA}, I_B=0$	160			V
DC Current Gain	h_{FE}	$V_{CE}=5\text{V}, I_C=200\text{mA}$	60		320	
Collector-Emitter Saturation Voltage	$V_{CE(sat)}$	$I_C=500\text{mA}, I_B=50\text{mA}$			1.5	V
Base-Emitter On Voltage	$V_{BE(on)}$	$V_{CE}=5\text{V}, I_C=5\text{mA}$	0.45		0.75	V
Current Gain Bandwidth Product	f_T	$V_{CE}=5\text{V}, I_C=200\text{mA}$	20	100		MHz
Output Capacitance	C_{ob}	$V_{CB}=10\text{V}, I_E=0, f=1\text{MHz}$			20	pF

■ h_{FE} CLASSIFICATION

CLASSIFICATION	R	O	Y
h_{FE}	60~120	100-200	160-320

UTC assumes no responsibility for equipment failures that result from using products at values that exceed, even momentarily, rated values (such as maximum ratings, operating condition ranges, or other parameters) listed in products specifications of any and all UTC products described or contained herein. UTC products are not designed for use in life support appliances, devices or systems where malfunction of these products can be reasonably expected to result in personal injury. Reproduction in whole or in part is prohibited without the prior written consent of the copyright owner. The information presented in this document does not form part of any quotation or contract, is believed to be accurate and reliable and may be changed without notice.