



# IMZ2A

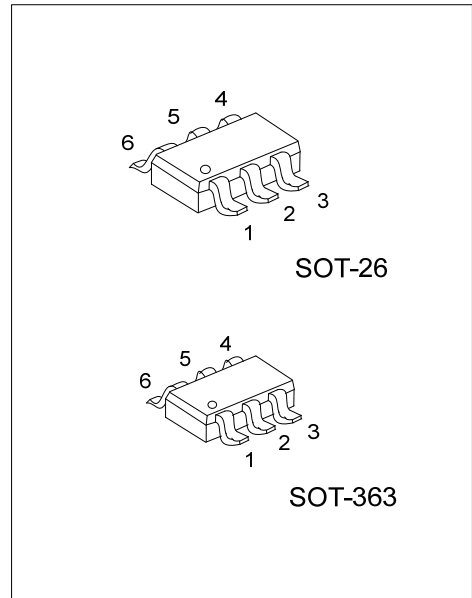
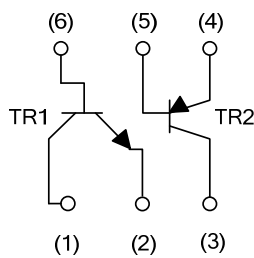
## DUAL TRANSISTOR

### POWER MANAGEMENT (DUAL TRANSISTOR)

■ FEATURES

\* Two a 9014 chip in a SMT package.

■ EQUIVALENT CIRCUITS

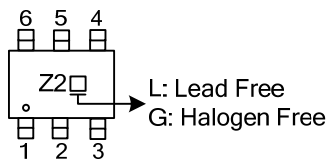


■ ORDERING INFORMATION

Ordering Number		Package	Pin Assignment						Packing
Lead Free	Halogen Free		1	2	3	4	5	6	
IMZ2AL-AG6-R	IMZ2AG-AG6-R	SOT-26	C1	E1	C2	E2	B2	B1	Tape Reel
IMZ2AL-AL6-R	IMZ2AG-AL6-R	SOT-363	C1	E1	C2	E2	B2	B1	Tape Reel

<p>IMZ2AL-AG6-R</p> <p>(1) Packing Type (2) Package Type (3) Lead Plating</p>	<p>(1) R: Tape Reel (2) AG6: SOT-26, AL6: SOT-363 (3) G: Halogen Free, L: Lead Free, Blank: Pb/Sn</p>
---	---

■ MARKING



### ■ ABSOLUTE MAXIMUM RATINGS (T<sub>A</sub> =25°C)

PARAMETER		SYMBOL	RATINGS	UNIT
Collector-Base Voltage	TR1	V <sub>CBO</sub>	60	V
	TR2		-60	
Collector-Emitter Voltage	TR1	V <sub>CEO</sub>	50	V
	TR2		-50	
Emitter-Base Voltage	TR1	V <sub>EBO</sub>	7	V
	TR2		-6	
Collector Current	TR1	I <sub>C</sub>	150	mA
	TR2		-150	
Collector Power Dissipation (Total)	SOT-26	P <sub>C</sub>	300 (Note1)	mW
	SOT-363		200	
Junction Temperature		T <sub>J</sub>	+150	°C
Storage Temperature		T <sub>STG</sub>	-55~+150	°C

Note: 1. 200mW per element must not be exceeded.

2. Absolute maximum ratings are those values beyond which the device could be permanently damaged.

Absolute maximum ratings are stress ratings only and functional device operation is not implied.

### ■ ELECTRICAL CHARACTERISTICS (T<sub>A</sub>=25°C)

PARAMETER	SYMBOL	TEST CONDITIONS	MIN	TYP	MAX	UNIT
<b>TR1</b>						
Collector-Base Breakdown Voltage	BV <sub>CBO</sub>	I <sub>C</sub> = 50μA	60			V
Collector-Emitter Breakdown Voltage	BV <sub>CEO</sub>	I <sub>C</sub> = 1mA	50			V
Emitter-Base Breakdown Voltage	BV <sub>EBO</sub>	I <sub>E</sub> = 50μA	7			V
Collector Cut-Off Current	I <sub>CBO</sub>	V <sub>CB</sub> = 60V			0.1	μA
Emitter Cut-Off Current	I <sub>EBO</sub>	V <sub>EB</sub> = 7V			0.1	μA
Collector-Emitter Saturation Voltage	V <sub>CE(SAT)</sub>	I <sub>C</sub> / I <sub>B</sub> = 50mA/5mA			0.4	V
DC Current Transfer Ratio	h <sub>FE</sub>	V <sub>CE</sub> = 6V, I <sub>C</sub> = 1mA	120		560	
Transition Frequency	f <sub>T</sub>	V <sub>CE</sub> = 12V, I <sub>E</sub> = -2mA, f = 100MHz (Note)		180		MHz
Output Capacitance	C <sub>OB</sub>	V <sub>CB</sub> = 12V, I <sub>E</sub> = 0A, f = 1MHz		2	3.5	pF
<b>TR2</b>						
Collector-Base Breakdown Voltage	BV <sub>CBO</sub>	I <sub>C</sub> = -50μA	-60			V
Collector-Emitter Breakdown Voltage	BV <sub>CEO</sub>	I <sub>C</sub> = -1mA	-50			V
Emitter-Base Breakdown Voltage	BV <sub>EBO</sub>	I <sub>E</sub> = -50μA	-6			V
Collector Cut-Off Current	I <sub>CBO</sub>	V <sub>CB</sub> = -60V			-0.1	μA
Emitter Cut-Off Current	I <sub>EBO</sub>	V <sub>EB</sub> = -6V			-0.1	μA
Collector-Emitter Saturation Voltage	V <sub>CE(SAT)</sub>	I <sub>C</sub> / I <sub>B</sub> = -50mA/-5mA			-0.5	V
DC Current Transfer Ratio	h <sub>FE</sub>	V <sub>CE</sub> = -6V, I <sub>C</sub> = -1mA	120		560	
Transition Frequency	f <sub>T</sub>	V <sub>CE</sub> = -12V, I <sub>E</sub> = 2mA, f = 100MHz (Note)		140		MHz
Output Capacitance	C <sub>OB</sub>	V <sub>CB</sub> = -12V, I <sub>E</sub> = 0A, f = 1MHz		4	5	pF

Note: Transition frequency of the device.

UTC assumes no responsibility for equipment failures that result from using products at values that exceed, even momentarily, rated values (such as maximum ratings, operating condition ranges, or other parameters) listed in products specifications of any and all UTC products described or contained herein. UTC products are not designed for use in life support appliances, devices or systems where malfunction of these products can be reasonably expected to result in personal injury. Reproduction in whole or in part is prohibited without the prior written consent of the copyright owner. The information presented in this document does not form part of any quotation or contract, is believed to be accurate and reliable and may be changed without notice.