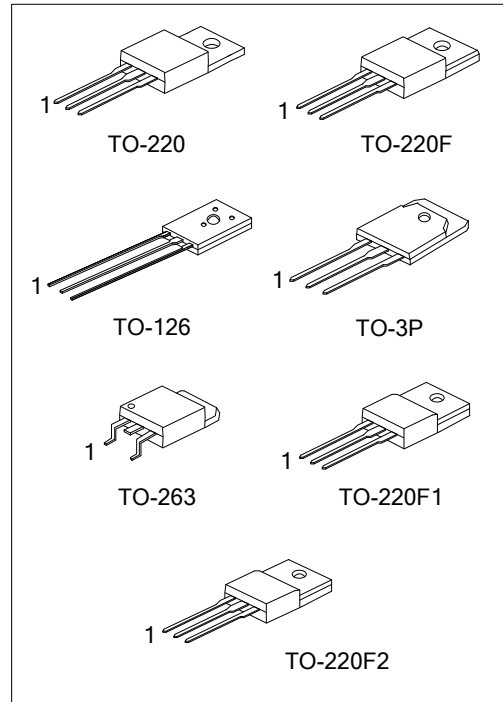




**SWITCHING REGULATOR APPLICATIONS**

■ **FEATURES**

- \* High Speed.
- \* High Breakdown Voltage ( $V_{CBO}=1400V$ ).
- \* High Reliability.



■ **ORDERING INFORMATION**

Ordering Number		Package	Pin Description			Packing
Lead Free	Halogen Free		1	2	3	
C6084L-x-TA3 -T	C6084G-x-TA3-T	TO-220	B	C	E	Tube
C6084L-x-TF3 -T	C6084G-x-TF3-T	TO-220F	B	C	E	Tube
C6084L-x-TF1 -T	C6084G-x-TF1-T	TO-220F1	B	C	E	Tube
C6084L-x-TF2-T	C6084G-x-TF2-T	TO-220F2	B	C	E	Tube
C6084L-x-TQ2-T	C6084G-x-TQ2-T	TO-263	B	C	E	Tube
C6084L-x-TQ2-R	C6084G-x-TQ2-R	TO-263	B	C	E	Tape Reel
C6084L-x-T3P-T	C6084G-x-T3P-T	TO-3P	B	C	E	Tube
C6084L-x-T60-K	C6084G-x-T60-K	TO-126	B	C	E	Bulk

Note: Pin assignment: E: Emitter B: Base C: Collector

<p>C6084L-x-TA3-T</p> <p>(1) Packing Type (2) Package Type (3) Rank (4) Green Package</p>	<p>(1) T: Tube, R: Tape Reel, K: Bulk (2) TA3: TO-220, TF3: TO-220F, TF2: TO-220F2 TQ2: TO-263, T3P: TO-3P, T60: TO-126 (3) x: refer to Classification of <math>h_{FE1}</math> (4) L: Lead Free, G: Halogen Free and Lead Free</p>
---	--

■ **MARKING**

TO-220 / TO-220F / TO-220F1 TO-220F2 / TO-263 / TO-3P	TO-126

### ■ ABSOLUTE MAXIMUM RATING (T<sub>A</sub>=25°C)

PARAMETER		SYMBOL	RATINGS	UNIT
Collector-Base Voltage		V <sub>CBO</sub>	1.4	KV
Collector-Emitter Voltage		V <sub>CEO</sub>	800	V
Emitter-Base Voltage		V <sub>EBO</sub>	5	V
Collector Current	TO-3P/TO-263 TO-220/TO-220F TO-220F1/TO-220F2	I <sub>C</sub>	5	A
	TO-126		3	
	TO-3P/TO-263 TO-220/TO-220F TO-220F1/TO-220F2	I <sub>CP</sub>	12	A
	TO-126		6	
Collector Dissipation	TO-126	P <sub>C</sub>	1.25	W
	TO-3P		3.125	
	TO-220/ TO-263		1.75	
	TO-220F		1.35	
	TO-220F1/TO-220F2		1.45	
Junction Temperature		T <sub>J</sub>	150	°C
Storage Temperature		T <sub>STG</sub>	-55 ~ +150	°C

Note: Absolute maximum ratings are those values beyond which the device could be permanently damaged.

Absolute maximum ratings are stress ratings only and functional device operation is not implied.

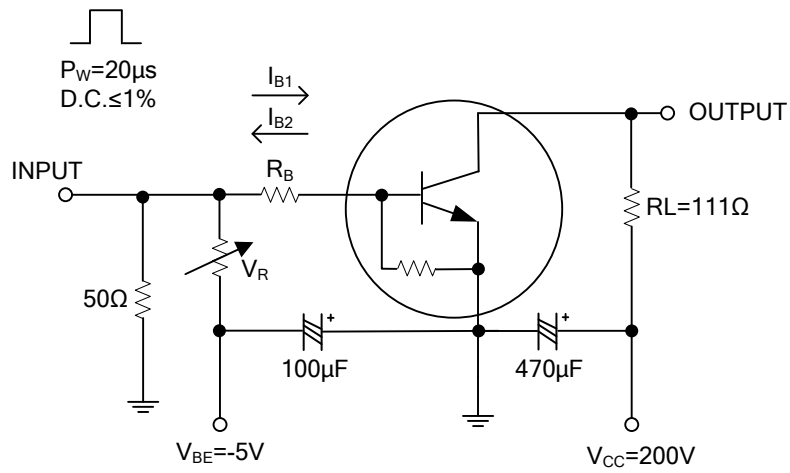
### ■ ELECTRICAL CHARACTERISTICS (T<sub>A</sub>=25°C)

PARAMETER		SYMBOL	TEST CONDITIONS	MIN	TYP	MAX	UNIT
Collector Cutoff Current		I <sub>CBO</sub>	V <sub>CB</sub> =800V, I <sub>E</sub> =0A			10	μA
Collector Cutoff Current		I <sub>CES</sub>	V <sub>CE</sub> =1400V, R <sub>BE</sub> =0Ω			1.0	mA
Collector Sustain Voltage		V <sub>CEO(SUS)</sub>	I <sub>C</sub> =10mA, I <sub>B</sub> =0A	800			V
Emitter Cutoff Current		I <sub>EBO</sub>	V <sub>BE</sub> =4V, I <sub>C</sub> =0A			1.0	mA
Collector-Emitter Saturation Voltage	TO-220/TO-220F/TO-220F1 TO-220F2/TO-263/TO-3P	V <sub>CE(SAT)</sub>	I <sub>C</sub> =2.7A, I <sub>B</sub> =0.54A			3	V
	TO-126			I <sub>C</sub> =1.4A, I <sub>B</sub> =0.27A			
Base-Emitter Saturation Voltage	TO-220/TO-220F/TO-220F1 TO-220F2/TO-263/TO-3P	V <sub>BE(SAT)</sub>	I <sub>C</sub> =2.7A, I <sub>B</sub> =0.54A			1.5	V
	TO-126			I <sub>C</sub> =1.4A, I <sub>B</sub> =0.27A			
DC Current Gain		h <sub>FE1</sub>	V <sub>CE</sub> =5V, I <sub>C</sub> =0.5A	10		25	
	TO-220/TO-220F/TO-220F1 TO-220F2/TO-263/TO-3P	h <sub>FE2</sub>	V <sub>CE</sub> =5V, I <sub>C</sub> =3A	5		8	
	TO-126			V <sub>CE</sub> =5V, I <sub>C</sub> =1.8A	5		
Fall Time		T <sub>F</sub>	I <sub>C</sub> =1.8A, I <sub>B1</sub> =0.36A, I <sub>B2</sub> =-0.72A			0.2	μS

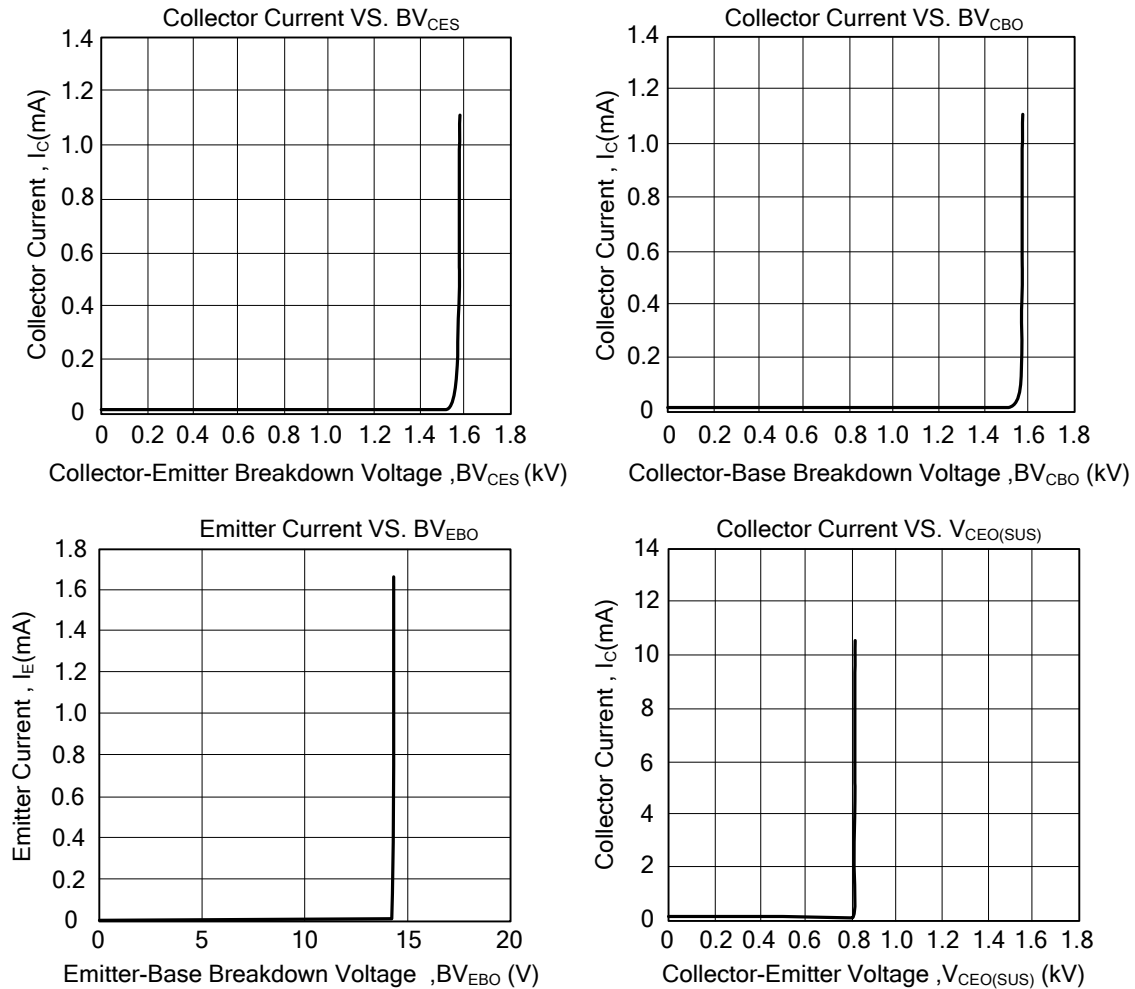
### ■ CLASSIFICATION OF h<sub>FE1</sub>

RANK	A	B	C
RANGE	10 ~ 15	15 ~ 20	20 ~ 25

## ■ TEST CIRCUIT



### ■ TYPICAL CHARACTERISTICS



UTC assumes no responsibility for equipment failures that result from using products at values that exceed, even momentarily, rated values (such as maximum ratings, operating condition ranges, or other parameters) listed in products specifications of any and all UTC products described or contained herein. UTC products are not designed for use in life support appliances, devices or systems where malfunction of these products can be reasonably expected to result in personal injury. Reproduction in whole or in part is prohibited without the prior written consent of the copyright owner. The information presented in this document does not form part of any quotation or contract, is believed to be accurate and reliable and may be changed without notice.