



## U74LVC1G126

CMOS IC

### BUS BUFFER/LINE DRIVER; 3-STATE

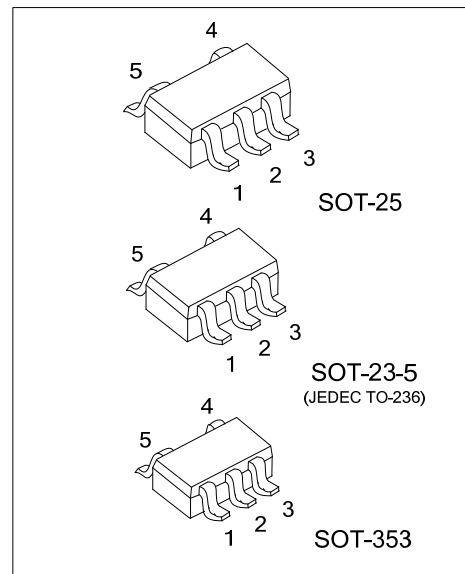
#### DESCRIPTION

The **U74LVC1G126** is single bus buffer/line driver with 3-state output. The output is disabled When the output enable (OE) is low. When OE is high, true data is will pass A input to the Y output.

This device has power-down protective circuit preventing device from destruction when it is powered down.

#### FEATURES

- \* Operate From 1.65V to 5.5V
- \* Inputs Accept Voltages to 5.5V
- \* High Noise Immunity
- \* Low Power Dissipation
- \* Direct Interface With TTL level

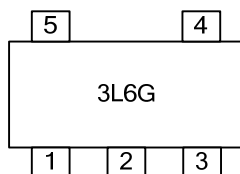


#### ORDERING INFORMATION

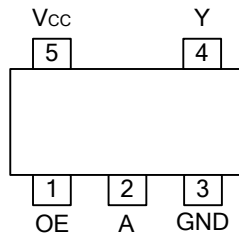
Ordering Number	Package	Packing
U74LVC1G126-AE5-R	SOT-23-5	Tape Reel
U74LVC1G126-AF5-R	SOT-25	Tape Reel
U74LVC1G126-AL5-R	SOT-353	Tape Reel

<p>U74LVC1G126G-AF5-R</p> <p>(1) Packing Type (2) Package Type (3) Green Package</p>	<p>(1) R: Tape Reel (2) AE5: SOT-23-5, AF5: SOT-25, AL5: SOT-353 (3) G: Halogen Free and Lead Free</p>
--	--

#### MARKING



■ PIN CONFIGURATION

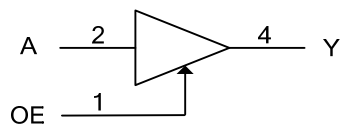


■ FUNCTION TABLE

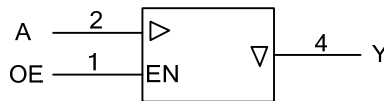
INPUT(OE)	INPUT(A)	OUTPUT(Y)
H	L	L
H	H	H
L	X	Z

Note: H: HIGH voltage level; L: LOW voltage level; X=don't care; Z=high-impedance OFF-state.

■ LOGIC DIAGRAM (Positive Logic)



Logic Symbol



IEC Logic Symbol

## ■ ABSOLUTE MAXIMUM RATING

PARAMETER	SYMBOL	RATINGS	UNIT
Supply Voltage	$V_{CC}$	-0.5 ~ +6.5	V
Input Voltage	$V_{IN}$	-0.5 ~ +6.5	V
Output Voltage	Enable mode	-0.5 ~ $V_{CC} + 0.5$	V
	Disable mode	-0.5 ~ +6.5	V
	Power-down mode	-0.5 ~ +6.5	V
$V_{CC}$ or GND Current	$I_{CC}$	±100	mA
Continuous Output Current ( $V_{OUT}=0$ to $V_{CC}$ )	$I_{OUT}$	±50	mA
Input Clamp Current ( $V_{IN}<0$ )	$I_{IK}$	-50	mA
Output Clamp Current ( $V_{OUT}>V_{CC}$ or $V_{OUT}<0$ )	$I_{OK}$	±50	mA
Power Dissipation ( $T_A=-40^{\circ}C \sim +125^{\circ}C$ )	SOT-23-5	300	mW
	SOT-25	360	
	SOT-353	250	
Operating Temperature	$T_{OPR}$	-40 ~ +125	$^{\circ}C$
Storage Temperature	$T_{STG}$	-65 ~ +150	$^{\circ}C$

Note: Absolute maximum ratings are those values beyond which the device could be permanently damaged. Absolute maximum ratings are stress ratings only and functional device operation is not implied.

## ■ RECOMMENDED OPERATING CONDITIONS

PARAMETER	SYMBOL	TEST CONDITIONS	MIN	TYP	MAX	UNIT
Supply Voltage	$V_{CC}$	Operating	1.65		5.5	V
Input Voltage	$V_{IN}$		0		5.5	V
Output Voltage	$V_{OUT}$	$V_{CC}=1.65V \sim 5.5V$ ; Enable mode	0		$V_{CC}$	V
		$V_{CC}=1.65V \sim 5.5V$ ; Disable mode	0		5.5	V
		$V_{CC}=0V$ ; Power-Down Mode	0		5.5	V
Input Transition Rise or Fall Rate	$t_R / t_F$	$V_{CC}=1.65V \sim 2.7V$			20	ns/V
		$V_{CC}=2.7V \sim 5.5V$			10	ns/V

## ■ ELECTRICAL CHARACTERISTICS ( $T_A=25^{\circ}C$ , unless otherwise specified)

PARAMETER	SYMBOL	TEST CONDITIONS	MIN	TYP	MAX	UNIT
High-Level Input Voltage	$V_{IH}$	$V_{CC}=1.65V \sim 1.95V$	$0.65 \times V_{CC}$			V
		$V_{CC}=2.3V \sim 2.7V$	1.7			V
		$V_{CC}=2.7V \sim 3.6V$	2			V
		$V_{CC}=4.5V \sim 5.5V$	$0.7 \times V_{CC}$			V
Low-Level Input Voltage	$V_{IL}$	$V_{CC}=1.65V \sim 1.95V$			$0.35 \times V_{CC}$	V
		$V_{CC}=2.3V \sim 2.7V$			0.7	V
		$V_{CC}=2.7V \sim 3.6V$			0.8	V
		$V_{CC}=4.5V \sim 5.5V$			$0.3 \times V_{CC}$	V
High-Level Output Voltage	$V_{OH}$	$V_{CC}=1.65 \sim 5.5V, I_{OH}=-100\mu A$	$V_{CC}-0.1$			V
		$V_{CC}=1.65V, I_{OH}=-4mA$	1.2			V
		$V_{CC}=2.3V, I_{OH}=-8mA$	1.9			V
		$V_{CC}=2.7V, I_{OH}=-12mA$	2.2			V
		$V_{CC}=3.0V, I_{OH}=-24mA$	2.3			V
		$V_{CC}=4.5V, I_{OH}=-32mA$	3.8			V
Low-Level Output Voltage	$V_{OL}$	$V_{CC}=1.65 \sim 5.5V, I_{OL}=100\mu A$			0.1	V
		$V_{CC}=1.65V, I_{OL}=4mA$			0.45	V
		$V_{CC}=2.3V, I_{OL}=8mA$			0.3	V
		$V_{CC}=2.7V, I_{OL}=12mA$			0.4	V
		$V_{CC}=3.0V, I_{OL}=24mA$			0.55	V
		$V_{CC}=4.5V, I_{OL}=32mA$			0.55	V

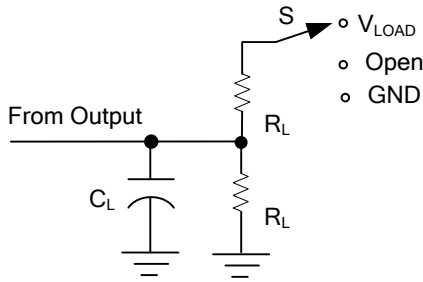
## ■ ELECTRICAL CHARACTERISTICS(Cont.)

PARAMETER	SYMBOL	TEST CONDITIONS	MIN	TYP	MAX	UNIT
Input Leakage Current	$I_{I(LEAK)}$	$V_{CC}=5.5V, V_{IN}=5.5V$ or GND		$\pm 0.1$	$\pm 5$	$\mu A$
Power OFF Leakage Current	$I_{OFF}$	$V_{CC}=0V, V_{IN}$ or $V_{OUT}=5.5V$		$\pm 0.1$	$\pm 10$	$\mu A$
3-State Output OFF-State Current	$I_{OZ}$	$V_{CC}=5.5V, V_{IN}=V_{IH}$ or $V_{IL}, V_{OUT}=V_{CC}$ or GND		$\pm 0.1$	$\pm 10$	$\mu A$
Quiescent Supply Current	$I_{CC}$	$V_{CC}=5.5V, V_{IN}=V_{CC}$ or GND, $I_{OUT}=0$		0.1	10	$\mu A$
Additional Quiescent Supply Current Per Input Pin	$\Delta I_{CC}$	$V_{CC}=2.3 \sim 5.5V, V_{IN}=V_{CC}-0.6V, I_{OUT}=0$		5	500	$\mu A$

## ■ SWITCHING CHARACTERISTICS ( $T_A = 25^\circ C$ , unless otherwise specified)

PARAMETER	SYMBOL	TEST CONDITIONS	MIN	TYP	MAX	UNIT	
Propagation Delay From Input A to Output Y	$t_{PLH} / t_{PHL}$	$C_L=30pF$	$V_{CC}=1.8\pm 0.15V, R_L=1K\Omega$	1.0	3.0	8.0	ns
			$V_{CC}=2.5\pm 0.2V, R_L=500\Omega$	0.5	2.1	5.5	ns
		$C_L=50pF, R_L=500\Omega$	$V_{CC}=2.7V$	0.5	2.3	5.5	ns
			$V_{CC}=3.3\pm 0.3V$	0.5	2.0	4.5	ns
3-State Output Enable Time From Input OE to Output Y	$t_{PZH} / t_{PZL}$	$C_L=30pF$	$V_{CC}=1.8\pm 0.15V, R_L=1K\Omega$	1.0	3.2	9.4	ns
			$V_{CC}=2.5\pm 0.2V, R_L=500\Omega$	0.5	2.2	6.6	ns
		$C_L=50pF, R_L=500\Omega$	$V_{CC}=2.7V$	0.5	2.4	6.6	ns
			$V_{CC}=3.3\pm 0.3V$	0.5	2.1	5.3	ns
3-State Output Disable Time From Input OE to Output Y	$t_{PLZ} / t_{PLH}$	$C_L=30pF$	$V_{CC}=1.8\pm 0.15V, R_L=1K\Omega$	1.0	4.3	9.2	ns
			$V_{CC}=2.5\pm 0.2V, R_L=500\Omega$	0.5	2.7	5.5	ns
		$C_L=50pF, R_L=500\Omega$	$V_{CC}=2.7V$	0.5	3.4	5.5	ns
			$V_{CC}=3.3\pm 0.3V$	0.5	3.0	5.5	ns
		$V_{CC}=5\pm 0.5V$	0.5	2.2	4.2	ns	

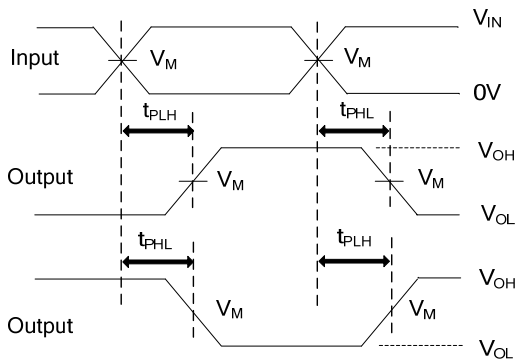
## TEST CIRCUIT AND WAVEFORMS



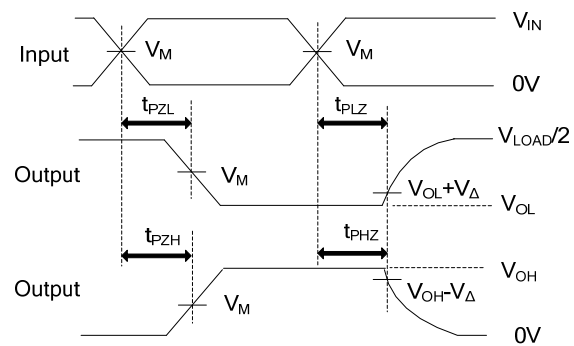
TEST	S
$t_{PLH}/t_{PHL}$	Open
$t_{PHZ}/t_{PZH}$	GND
$t_{PLZ}/t_{PZL}$	$V_{LOAD}$

TEST CIRCUIT

$V_{CC}$	INPUTS		$V_M$	$V_{LOAD}$	$V_{\Delta}$	$C_L$	$R_L$
	$V_{IN}$	$t_R, t_F$					
$1.8V \pm 0.15V$	$V_{CC}$	$\leq 2ns$	$V_{CC}/2$	$2 \times V_{CC}$	0.15V	30pF	1K $\Omega$
$2.5V \pm 0.2V$	$V_{CC}$	$\leq 2ns$	$V_{CC}/2$	$2 \times V_{CC}$	0.15V	30pF	500 $\Omega$
2.7V	2.7V	$\leq 2.5ns$	1.5V	6V	0.3V	50pF	500 $\Omega$
$3.3V \pm 0.3V$	2.7V	$\leq 2.5ns$	1.5V	6V	0.3V	50pF	500 $\Omega$
$5V \pm 0.5V$	$V_{CC}$	$\leq 2.5ns$	$V_{CC}/2$	$2 \times V_{CC}$	0.3V	50pF	500 $\Omega$



PROPAGATION DELAY TIMES



ENABLE AND DISABLE TIMES

Notes: 1.  $C_L$  includes probe and jig capacitance.

2. All input pulses are supplied by generators having the following characteristics:  $P_{RR} \leq 10MHz$ ,  $Z_O = 50\Omega$ .

UTC assumes no responsibility for equipment failures that result from using products at values that exceed, even momentarily, rated values (such as maximum ratings, operating condition ranges, or other parameters) listed in products specifications of any and all UTC products described or contained herein. UTC products are not designed for use in life support appliances, devices or systems where malfunction of these products can be reasonably expected to result in personal injury. Reproduction in whole or in part is prohibited without the prior written consent of the copyright owner. The information presented in this document does not form part of any quotation or contract, is believed to be accurate and reliable and may be changed without notice.