



## SB1060

Preliminary

DIODE

### 10A SCHOTTKY BARRIER RECTIFIER

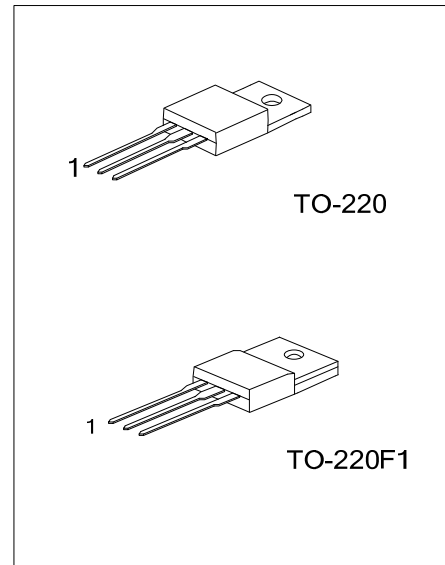
#### DESCRIPTION

The UTC **SB1060** is a Schottky Rectifier with high current capacity and low forward voltage.

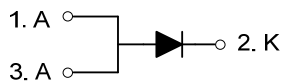
The UTC **SB1060** is suitable for polarity protection, low voltage and high frequency inverters and free wheeling applications.

#### FEATURES

- \* Guard Ring Transient Protection
- \* High surge Current Capability
- \* High Current Capability
- \* Low Forward Voltage
- \* For use in low voltage, high frequency inverters



#### SYMBOL



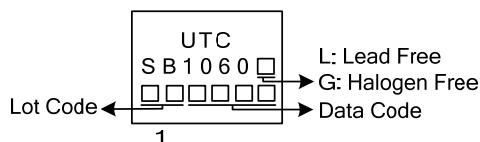
#### ORDERING INFORMATION

Ordering Number		Package	Pin Assignment			Packing
Lead Free	Halogen Free		1	2	3	
SB1060L-TA3-T	SB1060G-TA3-T	TO-220	A	K	A	Tube
SB1060L-TF1-T	SB1060G-TF1-T	TO-220F1	A	K	A	Tube

Note: Pin Assignment: A: Anode K: Cathode

<p>SB1060L-TA3-T</p> <p>(1) Packing Type</p> <p>(2) Package Type</p> <p>(3) Lead Free</p>	<p>(1) T: Tube</p> <p>(2) TA3: TO-220, TF1: TO-220F1</p> <p>(3) L: Lead Free, G: Halogen Free</p>
---	---

#### MARKING



■ ABSOLUTE MAXIMUM RATINGS ( $T_A=25^\circ\text{C}$  unless otherwise specified.)

PARAMETER	SYMBOL	RATINGS	UNIT
Working Peak Reverse Voltage	$V_{RWM}$	60	V
Repetitive Peak Reverse Voltage	$V_{RRM}$	60	V
RMS Reverse Voltage	$V_{R(RMS)}$	42	V
DC Blocking Voltage	$V_R$	60	V
Average Rectified Output Current	$I_O$	10	V
Non-repetitive Peak Forward Surge Current 8.3 ms Single Half-Sine-Wave	$I_{FSM}$	150	A
Operating Temperature	$T_J$	-65~+150	$^\circ\text{C}$
Storage Temperature	$T_{STG}$	-65~+150	$^\circ\text{C}$

- Notes: 1. Absolute maximum ratings are those values beyond which the device could be permanently damaged. Absolute maximum ratings are stress ratings only and functional device operation is not implied.  
 2. These ratings are limiting values above which the serviceability of any semiconductor device may be impaired.

■ THERMAL DATA

PARAMETER	SYMBOL	RATINGS	UNIT
Junction to Ambient	$\theta_{JA}$	60	$^\circ\text{C/W}$
Junction to Case	$\theta_{JC}$	3.0	$^\circ\text{C/W}$

■ ELECTRICAL CHARACTERISTICS ( $T_A=25^\circ\text{C}$  unless otherwise specified.)

PARAMETER	SYMBOL	TEST CONDITIONS	MIN	TYP	MAX	UNIT
Reverse Breakdown Voltage (Note 1)	$V_{(BR)R}$	$I_R=0.50\text{mA}$	60			V
Forward Voltage Drop	$V_{FM}$	$I_F=10\text{A}, T_J=25^\circ\text{C}$			0.75	V
		$I_F=10\text{A}, T_J=100^\circ\text{C}$			0.70	V
Leakage Current (Note 1)	$I_{RM}$	$V_R=60\text{V}, T_J=25^\circ\text{C}$			200	$\mu\text{A}$
		$V_R=60\text{V}, T_J=100^\circ\text{C}$			50	mA

- Notes: 1. Short duration pulse test used to minimize self-heating effect.  
 2. Thermal resistance junction to case mounted on heatsink.

UTC assumes no responsibility for equipment failures that result from using products at values that exceed, even momentarily, rated values (such as maximum ratings, operating condition ranges, or other parameters) listed in products specifications of any and all UTC products described or contained herein. UTC products are not designed for use in life support appliances, devices or systems where malfunction of these products can be reasonably expected to result in personal injury. Reproduction in whole or in part is prohibited without the prior written consent of the copyright owner. The information presented in this document does not form part of any quotation or contract, is believed to be accurate and reliable and may be changed without notice.