



## U74HCT3G04

CMOS IC

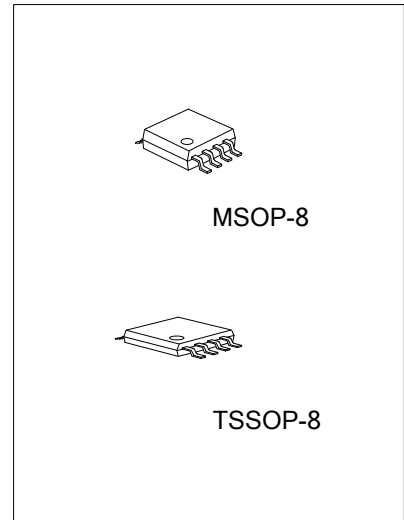
### INVERTER

#### DESCRIPTION

The **U74HCT3G04** provides three inverters, it is compatible with TTL.

#### FEATURES

- \* Low power dissipation
- \* High speed
- \* High noise immunity



#### ORDERING INFORMATION

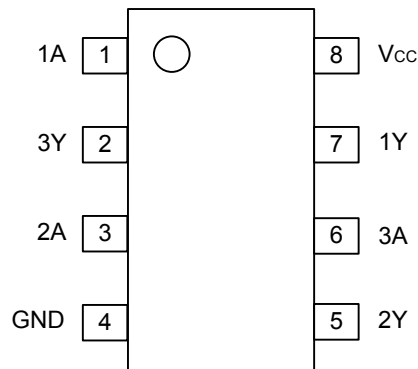
Ordering Number	Package	Packing
U74HCT3G04G-SM1-R	MSOP-8	Tape Reel
U74HCT3G04G-P08-R	TSSOP-8	Tape Reel

<p>U74HCT3G04G-SM1-R</p> <p>(1) Packing Type (2) Package Type (3) Green Package</p>	<p>(1) R: Tape Reel (2) SM1: MSOP-8, P08: TSSOP-8 (3) G: Halogen Free and Lead Free</p>
---	---

#### MARKING

MSOP-8	TSSOP-8
<p>8 7 6 5 → Date Code UTC □□□□ HCT3G04G □ □ → Lot Code 1 2 3 4</p>	<p>1 2 3 4 → Date Code UTC □□□□ HCT3G04G □ □ → Lot Code 8 7 6 5</p>

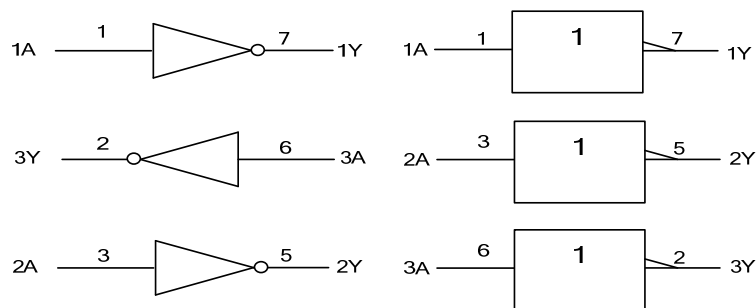
■ PIN CONFIGURATION



■ FUNCTION TABLE (each gate)

INPUT	OUTPUT
A	Y
L	H
H	L

■ LOGIC DIAGRAM (positive logic)



### ■ ABSOLUTE MAXIMUM RATINGS (unless otherwise specified)

PARAMETER	SYMBOL	RATINGS	UNIT
Supply Voltage	$V_{CC}$	-0.5~ 7	V
Input Voltage	$V_{IN}$	-0.5~ 7	V
Output Voltage	$V_{OUT}$	-0.5 ~ $V_{CC}+0.5$	V
Output Current	$I_{OUT}$	25	mA
$V_{CC}$ or GND Current	$I_{CC}$	50	mA
Input Clamp Current	$I_{IK}$	±20	mA
Output Clamp Current	$I_{OK}$	±20	mA
Power Dissipation	$P_D$	300	mW
Storage Temperature	$T_{STG}$	-65 ~ +150	°C

Note: Absolute maximum ratings are those values beyond which the device could be permanently damaged.

Absolute maximum ratings are stress ratings only and functional device operation is not implied.

### ■ RECOMMENDED OPERATING CONDITIONS

PARAMETER	SYMBOL	CONDITIONS	MIN	TYP	MAX	UNIT
Supply Voltage	$V_{CC}$		4.5	5.0	5.5	V
Input Voltage	$V_{IN}$		0		$V_{CC}$	V
Output Voltage	$V_{OUT}$		0		$V_{CC}$	V
Input Transition Rise or Fall Rate	$t_R, t_F$	$V_{CC}=4.5V$		6.0	500	ns
Operating Temperature	$T_A$		-40		+125	°C

### ■ STATIC CHARACTERISTICS ( $T_A=25^\circ C$ , unless otherwise specified)

PARAMETER	SYMBOL	TEST CONDITIONS	MIN	TYP	MAX	UNIT
High-Level Input Voltage	$V_{IH}$	$V_{CC}=4.5V\sim 5.5V$	2.0	1.6		V
Low-Level Input Voltage	$V_{IL}$	$V_{CC}=4.5V\sim 5.5V$		1.2	0.8	V
High-Level Output Voltage	$V_{OH}$	$V_{CC}=4.5V, I_{OH}=-20\mu A$	4.4	4.5		V
		$V_{CC}=4.5V, I_{OH}=-4.0mA$	4.18	4.32		
Low-Level Output Voltage	$V_{OL}$	$V_{CC}=4.5V, I_{OL}=20\mu A$		0	0.1	V
		$V_{CC}=4.5V, I_{OL}=4.0mA$		0.15	0.26	
Input Leakage Current	$I_{I(LEAK)}$	$V_{CC}=5.5V, V_{IN}=V_{CC}$ or GND			±1.0	μA
Quiescent Supply Current	$I_Q$	$V_{CC}=5.5V, I_{OUT}=0, V_{IN}=V_{CC}$ or GND			10	μA
Additional Quiescent Supply Current	$\Delta I_Q$	$V_{CC}=5.5V, I_{OUT}=0, V_{IN}=V_{CC}-2.1V$			300	μA
Input Capacitance	$C_{IN}$			1.5		pF

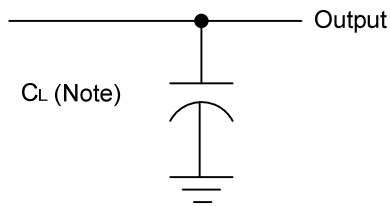
### ■ DYNAMIC CHARACTERISTICS ( $t_R, t_F \leq 6.0ns$ )

PARAMETER	SYMBOL	TEST CONDITIONS	MIN	TYP	MAX	UNIT
Propagation Delay From nA to nY	$t_{PHL}/t_{PLH}$	$V_{CC}=4.5V, C_L=50pF$		10	23	ns
Output Transition Time	$t_{THL}/t_{TLH}$	$V_{CC}=4.5V, C_L=50pF$		6	19	ns

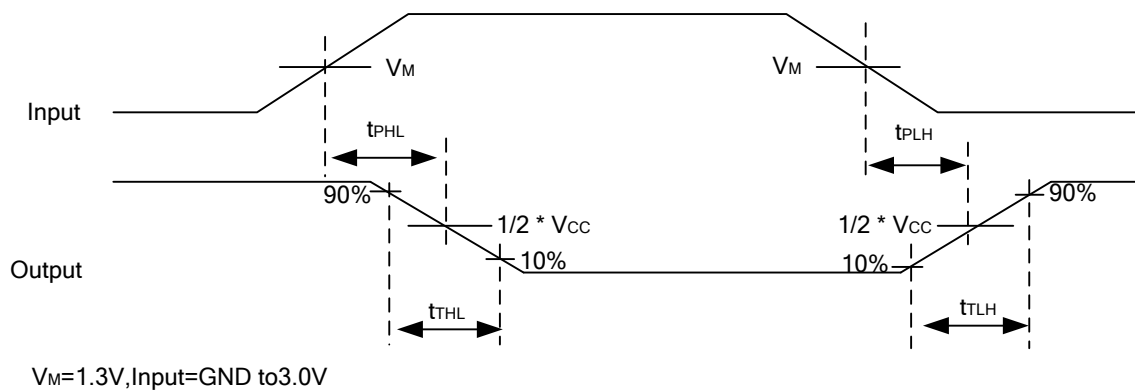
### ■ OPERATING CHARACTERISTIC

PARAMETER	SYMBOL	TEST CONDITIONS	MIN	TYP	MAX	UNIT
Power Dissipation Capacitance	$C_{pd}$			9		pF

## ■ TEST CIRCUIT AND WAVEFORMS



Note:  $C_L$  includes probe and jig capacitance.



UTC assumes no responsibility for equipment failures that result from using products at values that exceed, even momentarily, rated values (such as maximum ratings, operating condition ranges, or other parameters) listed in products specifications of any and all UTC products described or contained herein. UTC products are not designed for use in life support appliances, devices or systems where malfunction of these products can be reasonably expected to result in personal injury. Reproduction in whole or in part is prohibited without the prior written consent of the copyright owner. The information presented in this document does not form part of any quotation or contract, is believed to be accurate and reliable and may be changed without notice.