



U74HC4046A

CMOS IC

PHASE LOCKED LOOP WITH VCO

■ DESCRIPTION

The **U74HC4046A** is a phase-locked-loop circuit including a linear voltage-controlled oscillator (VCO), three different phase comparators (PC1, PC2 and PC3), a common signal input amplifier and a common comparator input.

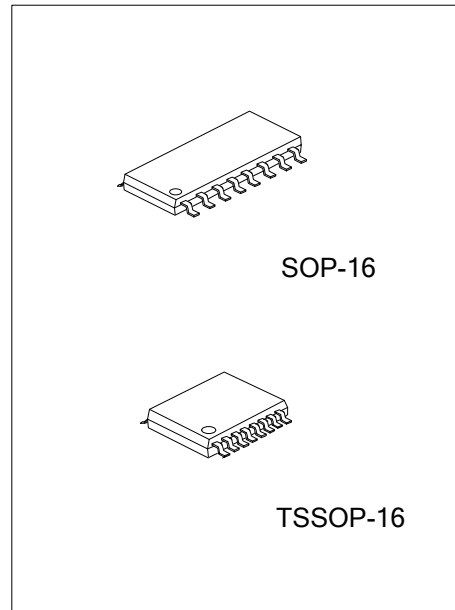
The signal can be directly coupled to large voltage signals or with a series capacitor coupled to small voltage signals. Small voltage signals can be kept within the linear region of the input amplifiers with a self-bias input circuit. The **U74HC4046A** and a passive low-pass filter form a second-order loop PLL. With a linear op-amp, the VCO achieves excellent linearity.

The VCO requires an external capacitor and resistor. R1 (between R1 and GND) and capacitor C1 (between C1A and C1B) determine the frequency range of the VCO. R2 (between R2 and GND) enables the VCO to have a frequency offset if required.

For the high input impedance of the VCO, the design of low-pass filters is simplified, and the designer has a wide choice of resistor/capacitor ranges. At pin 10 (DEM_{OUT}), a demodulator output of the VCO input voltage is provided in order not to load the low-pass filter. In conventional techniques, the DEM_{OUT} voltage is one threshold voltage lower than the VCO input voltage, but the DEM_{OUT} voltage of U74HC4046 equals the VCO input voltage. When DEM_{OUT} is used, a load resistor (RS) should be connected from DEM_{OUT} to GND; but if unused, DEM_{OUT} should be left open. The VCO output (VCO_{OUT}) can be connected directly or via a frequency-divider to the comparator input (COMP_{IN}). If the VCO input is held at a constant DC level, the VCO output signal has a duty factor of 50% (maximum expected deviation 1%). A LOW level at the inhibit input (INH) enables the VCO and demodulator, while a HIGH level turns both off to minimize standby power consumption.

■ FEATURES

- * Low Power Consumption
- * Operating Power Supply Voltage Range: Digital Section 2.0 to 6.0 V
VCO Section 3.0 to 6.0 V
- * Up to 17 MHz (typ.) Centre Frequency at V_{CC} = 4.5 V
- * Excellent VCO Frequency Linearity
- * VCO-Inhibit Control For ON/OFF Keying and for Low Standby Power Consumption
- * Minimal Frequency Drift
- * Three Phase Comparators: EXCLUSIVE-OR;
Edge-Triggered JK Flip-Flop;
Edge-Triggered RS Flip-Flop
- * Zero Voltage Offset due to OP-Amp Buffering
- * Standard Output Capability
- * MSI I_{CC} Category

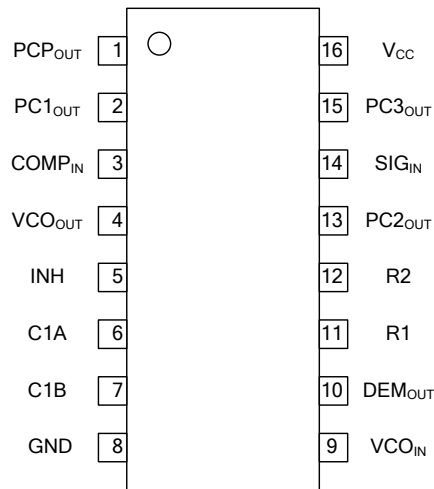


■ ORDERING INFORMATION

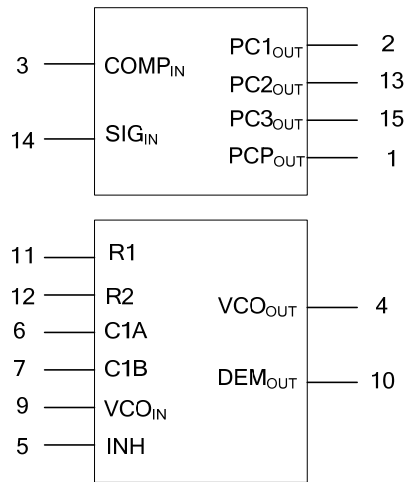
Ordering Number		Package	Packing
Lead Free	Halogen Free		
U74HC4046AL-S16-R	U74HC4046AG-S16-R	SOP-16	Tape Reel
U74HC4046AL-P16-R	U74HC4046AG-P16-R	TSSOP-16	Tape Reel

<p>U74HC4046AG-S16-R</p> <p>(1) Packing Type</p> <p>(2) Package Type</p> <p>(3) Halogen Free</p>	<p>(1) R: Tape Reel</p> <p>(2) S16: SOP-16, P16:TSSOP-16</p> <p>(3) G: Halogen Free</p>
--	---

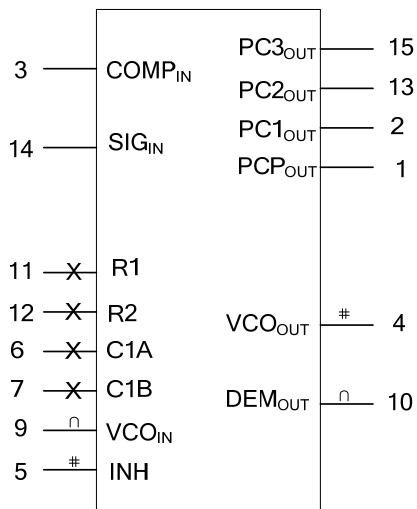
■ PIN CONFIGURATION



■ LOGIC SYMBOL



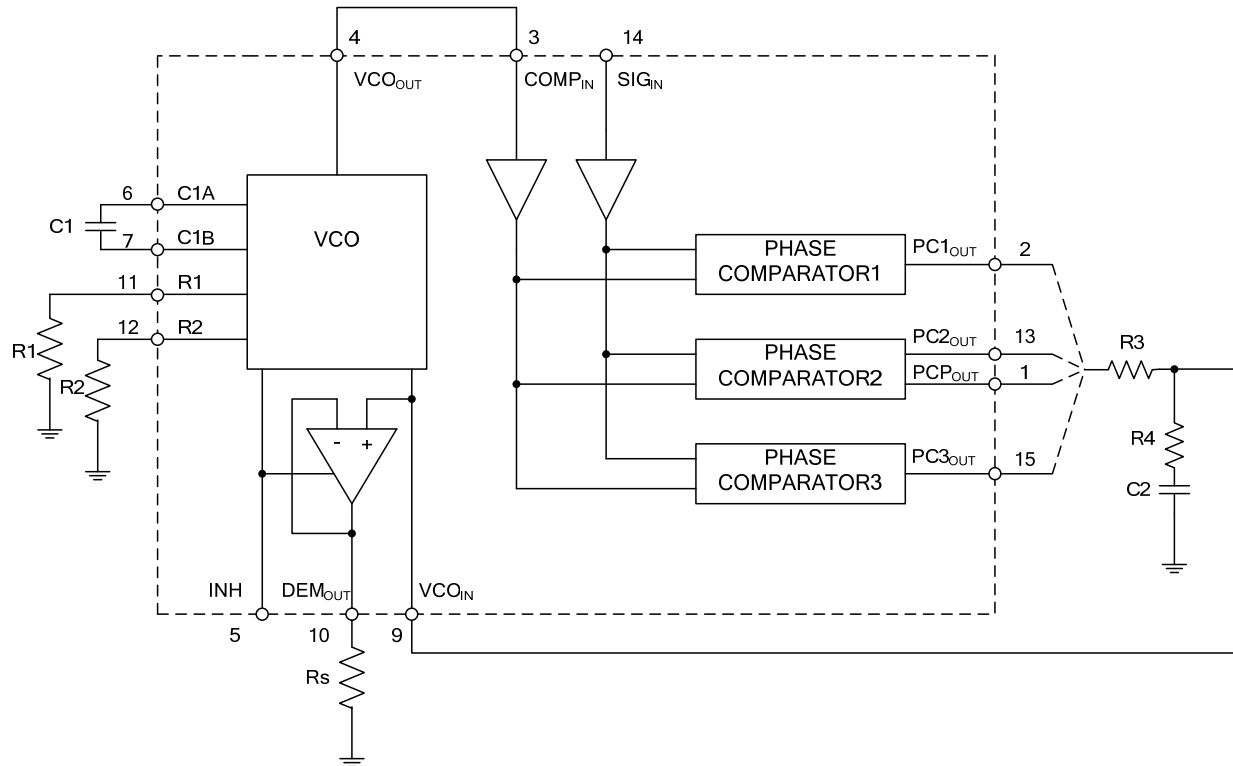
■ IEC SYMBOL



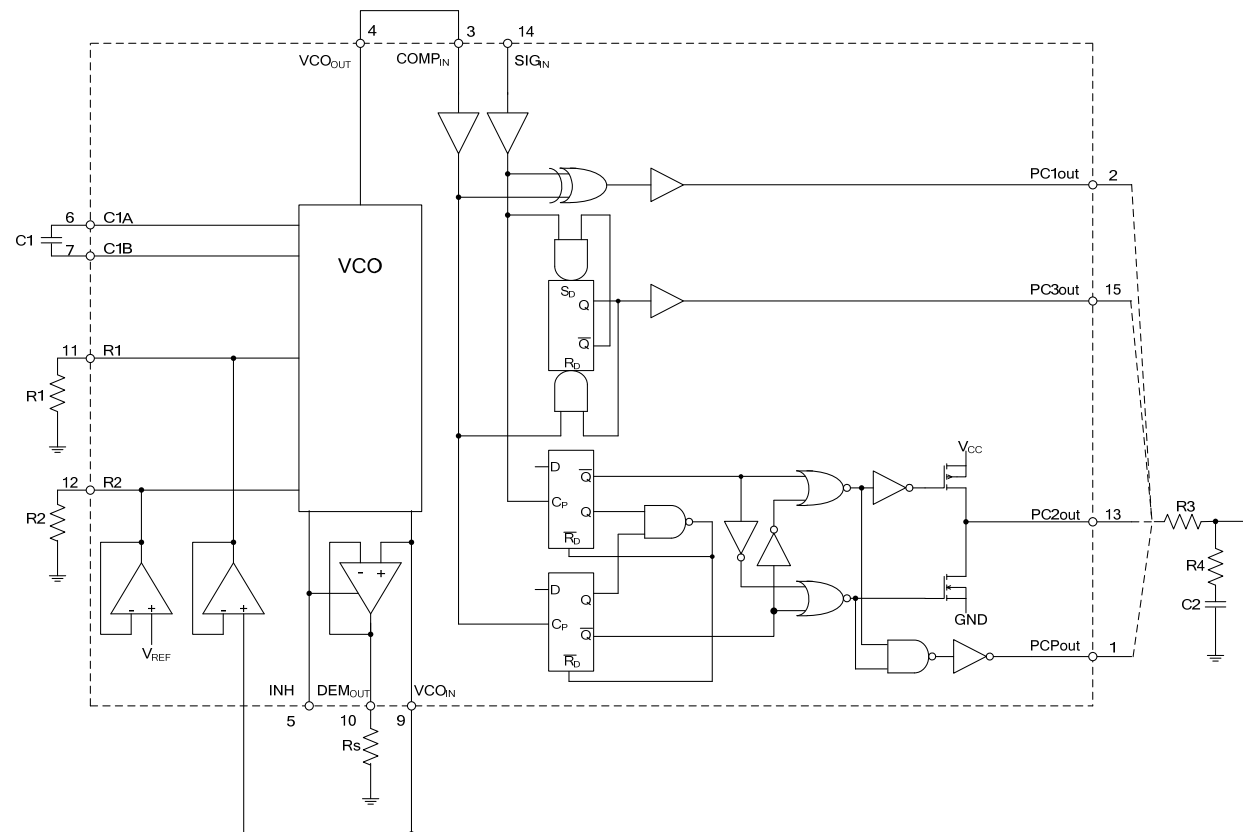
■ PIN DESCRIPTION

PIN NO	SYMBOL	FUNCTION
1	PCP _{OUT}	Phase comparator pulse output
2	PC1 _{OUT}	Phase comparator 1 output
3	COMP _{IN}	Comparator input
4	VCO _{OUT}	VCO output
5	INH	Inhibit input
6	C1 _A	Capacitor C1 connection A
7	C1 _B	Capacitor C1 connection B
8	GND	Ground
9	VCO _{IN}	VCO input
10	DEM _{OUT}	Demodulator output
11	R1	Resistor R1 connection
12	R2	Resistor R2 connection
13	PC2 _{OUT}	Phase comparator 2 output
14	SIG _{IN}	Signal input
15	PC3 _{OUT}	Phase comparator 3 output
16	V _{CC}	Positive supply voltage

■ FUNCTIONAL DIAGRAM



■ LOGIC DIAGRAM



■ ABSOLUTE MAXIMUM RATINGS

PARAMETER	SYMBOL	TEST CONDITIONS	MIN	TYP	MAX	UNIT
DC Supply Voltage	V _{CC}		-0.5		+7	V
DC Input Diode Current	±I _{IK}	for V _{IN} < -0.5 V or V _{IN} > V _{CC} + 0.5 V			20	mA
DC Output Diode Current	±I _{OK}	for V _{OUT} < -0.5 V or V _{OUT} > V _{CC} + 0.5 V			20	mA
DC Output Source or Sink Current	±I _O	for -0.5 V < V _{OUT} < V _{CC} + 0.5 V			25	mA
DC VCC or GND Current	±I _{CC} , ±I _{GND}				50	mA
Power Dissipation per Package Plastic DIL	P _D	for temperature range: - 40 to +125 °C above +70 °C: derate linearly with 12 mW/K			750	mW
Power Dissipation per Package Plastic Mini-Pack(SO)		for temperature range: - 40 to +125 °C above +70 °C: derate linearly with 8 mW/K			500	mW
Storage Temperature Range	T _{STG}		-65		+150	°C

Note: Absolute maximum ratings are those values beyond which the device could be permanently damaged.
Absolute maximum ratings are stress ratings only and functional device operation is not implied.

■ RECOMMENDED OPERATING CONDITIONS

PARAMETER	SYMBOL	TEST CONDITIONS	MIN	TYP	MAX	UNIT
DC Supply Voltage	V _{CC}		3.0	5.0	6.0	V
DC Supply Voltage if VCO Section is not used	V _{CC}		2.0	5.0	6.0	V
DC Input Voltage Range	V _{IN}		0		V _{CC}	V
DC Output Voltage Range	V _{OUT}		0		V _{CC}	V
Input Rise and Fall Times (pin 5)	t _R , t _F	V _{CC} = 2.0 V		6.0	1000	ns
		V _{CC} = 4.5 V		6.0	500	ns
		V _{CC} = 6.0 V		6.0	400	ns
Ambient Operating Temperature	T _{OPR}	see DC and AC CHARACTERISTICS	-40		+85	°C
			-40		+125	°C

■ QUICK REFERENCE DATA (GND = 5V; T = 25 °C)

PARAMETER	SYMBOL	TEST CONDITIONS	MIN	TYP	MAX	UNIT
VCO Centre Frequency	f _o	C1 = 40 pF; R1 = 3 kΩ; V _{CC} = 5V		19		MHz
Input Capacitance (pin 5)	C _{IN}			3.5		pF
Power Dissipation Capacitance per Package	C _{PD}	(Note)		24		pF

Note : C_{PD} is used to determine the dynamic power dissipation (P_D in μW):

$$P_D = C_{PD} \times V_{CC}^2 \times f_i + \sum (C_L \times V_{CC}^2 \times f_o)$$

where: f_i = input frequency in MHz;

C_L = output load capacitance in pF;

V_{CC} = supply voltage in V;

f_o = output frequency in MHz;

∑(C_L × V_{CC}² × f_o) = sum of outputs.

■ DC CHARACTERISTICS ($T_A = 25^\circ\text{C}$, unless otherwise specified)

Quiescent Supply Current (Voltages are referenced to GND (ground = 0 V))

PARAMETER	SYMBOL	TEST CONDITIONS		MIN	TYP	MAX	UNIT
Quiescent Supply Current (VCO Disabled)	I_{CC}	$V_{CC}=6.0\text{V}$	Pins 3, 5 and 14 at V_{CC} ; Pin 9 at GND; I_{IN} at pins 3 and 14 to be excluded			8.0	μA

Phase Comparator Section

PARAMETER	SYMBOL	TEST CONDITIONS		MIN	TYP	MAX	UNIT
DC Coupled (HIGH Level Input Voltage SIG_{IN} , $COMP_{IN}$)	V_{IH}		$V_{CC}=2.0\text{V}$	1.5	1.2		V
			$V_{CC}=4.5\text{V}$	3.15	2.4		
			$V_{CC}=6.0\text{V}$	4.2	3.2		
DC Coupled (LOW Level Input Voltage SIG_{IN} , $COMP_{IN}$)	V_{IL}		$V_{CC}=2.0\text{V}$		0.8	0.5	V
			$V_{CC}=4.5\text{V}$		2.1	1.35	
			$V_{CC}=6.0\text{V}$		2.8	1.8	
HIGH Level Output Voltage (PCP_{OUT} , PC_{nOUT})	V_{OH}	$V_I = V_{IH}$ or V_{IL} , $-I_{OUT} = 20\mu\text{A}$	$V_{CC}=2.0\text{V}$	1.9	2.0		V
			$V_{CC}=4.5\text{V}$	4.4	4.5		
			$V_{CC}=6.0\text{V}$	5.9	6.0		
HIGH Level Output Voltage (PCP_{OUT} , PC_{nOUT})	V_{OH}	$V_I = V_{IH}$ or V_{IL}	$V_{CC}=4.5\text{V}$, $-I_O = 4.0\text{mA}$	3.98	4.32		V
			$V_{CC}=6.0\text{V}$, $-I_O = 5.2\text{mA}$	5.48	5.81		
LOW Level Output Voltage (PCP_{OUT} , PC_{nOUT})	V_{OL}	$V_I = V_{IH}$ or V_{IL} , $-I_{OUT} = 20\mu\text{A}$	$V_{CC}=2.0\text{V}$		0	0.1	V
			$V_{CC}=4.5\text{V}$		0	0.1	
			$V_{CC}=6.0\text{V}$		0	0.1	
LOW Level Output Voltage (PCP_{OUT} , PC_{nOUT})	V_{OL}	$V_I = V_{IH}$ or V_{IL}	$V_{CC}=4.5\text{V}$, $I_O = 4.0\text{mA}$		0.15	0.26	V
			$V_{CC}=6.0\text{V}$, $I_O = 5.2\text{mA}$		0.16	0.26	
Input Leakage Current (SIG_{IN} , $COMP_{IN}$)	$\pm I_{IN}$	$V_I = V_{CC}$ or GND	$V_{CC}=2.0\text{V}$			3.0	μA
			$V_{CC}=3.0\text{V}$			7.0	
			$V_{CC}=4.5\text{V}$			18.0	
			$V_{CC}=6.0\text{V}$			30.0	
3-State (OFF-state current $PC2_{OUT}$)	$\pm I_{OZ}$		$V_{OUT} = V_{CC}$ or GND, $V_I = V_{IH}$ or V_{IL} , $V_{CC}=6.0\text{V}$			0.5	μA
Input Resistance (SIG_{IN} , $COMP_{IN}$)	R_{IN}		$V_{CC}=3.0\text{V}$	VIN at self-bias operating point; $\Delta V_I = 0.5\text{V}$; (Fig. 7)		800	k Ω
			$V_{CC}=4.5\text{V}$			250	k Ω
			$V_{CC}=6.0\text{V}$			150	k Ω

VCO Section (Voltages are Referenced to GND (Ground = 0 V))

PARAMETER	SYMBOL	TEST CONDITIONS		MIN	TYP	MAX	UNIT
HIGH Level Input Voltage INH	V_{IH}		$V_{CC}=3.0\text{V}$	2.1	1.7		V
			$V_{CC}=4.5\text{V}$	3.15	2.4		
			$V_{CC}=6.0\text{V}$	4.2	3.2		
LOW Level Input Voltage INH	V_{IL}		$V_{CC}=3.0\text{V}$		1.3	0.9	V
			$V_{CC}=4.5\text{V}$		2.1	1.35	
			$V_{CC}=6.0\text{V}$		2.8	1.8	
HIGH Level Output Voltage VCO_{OUT}	V_{OH}	$V_I = V_{IH}$ or V_{IL} , $-I_{OUT} = 20\mu\text{A}$	$V_{CC}=3.0\text{V}$	2.9	3.0		V
			$V_{CC}=4.5\text{V}$	4.4	4.5		
			$V_{CC}=6.0\text{V}$	5.9	6.0		
HIGH Level Output Voltage VCO_{OUT}	V_{OH}	$V_I = V_{IH}$ or V_{IL}	$V_{CC}=4.5\text{V}$, $-I_{OUT} = 4.0\text{mA}$	3.98	4.32		V
			$V_{CC}=6.0\text{V}$, $-I_{OUT} = 5.2\text{mA}$	5.48	5.81		
LOW Level Output Voltage VCO_{OUT}	V_{OL}	$V_I = V_{IH}$ or V_{IL} , $I_{OUT} = 20\mu\text{A}$	$V_{CC}=3.0\text{V}$		0	0.1	V
			$V_{CC}=4.5\text{V}$		0	0.1	
			$V_{CC}=6.0\text{V}$		0	0.1	
LOW Level Output Voltage VCO_{OUT}	V_{OL}	$V_I = V_{IH}$ or V_{IL}	$V_{CC}=4.5\text{V}$, $I_{OUT} = 4.0\text{mA}$		0.15	0.26	V
			$V_{CC}=6.0\text{V}$, $I_{OUT} = 5.2\text{mA}$		0.16	0.26	
LOW Level Output Voltage $C1_A$, $C1_B$	V_{OL}	$V_I = V_{IH}$ or V_{IL}	$V_{CC}=4.5\text{V}$, $I_{OUT} = 4.0\text{mA}$			0.4	V
			$V_{CC}=6.0\text{V}$, $I_{OUT} = 5.2\text{mA}$			0.4	
Input Leakage Current (INH, VCO_{IN})	$\pm I_{IN}$		$V_{CC}=6.0\text{V}$, $V_I = V_{CC}$ or GND			0.1	μA

■ DC CHARACTERISTICS(Cont.)

VCO Section (Cont.)

PARAMETER	SYMBOL	TEST CONDITIONS	MIN	TYP	MAX	UNIT	
Resistance Range	R1	V _{CC} =3.0V	3.0		300	kΩ	
		V _{CC} =4.5V	3.0		300		
		V _{CC} =6.0V	3.0		300		
	R2	V _{CC} =3.0V	(Note)	3.0		300	kΩ
		V _{CC} =4.5V		3.0		300	
		V _{CC} =6.0V		3.0		300	
Capacitor Range	C1	V _{CC} =3.0V	40			pF	
		V _{CC} =4.5V	40				
		V _{CC} =6.0V	40				
Operating Voltage Range at VCO _{IN}	V _{VCOIN}	V _{CC} =3.0V	1.1		1.9	V	
		V _{CC} =4.5V	1.1		3.4		
		V _{CC} =6.0V	1.1		4.9		

Note: The parallel value of R1 and R2 should be more than 2.7 kΩ. Optimum performance is achieved when R1 and/ or R2 are/is > 10 kΩ.

Demodulator Section (Voltages are Referenced to GND (Ground = 0 V))

PARAMETER	SYMBOL	TEST CONDITIONS	MIN	TYP	MAX	UNIT
Resistor Range	R _S	V _{CC} =3.0V	50		300	kΩ
		V _{CC} =4.5V	50		300	
		V _{CC} =6.0V	50		300	
Offset Voltage VCO _{IN} to V _{DEMOUT}	V _{OFF}	V _{CC} =3.0V		±30		mV
		V _{CC} =4.5V		±20		
		V _{CC} =6.0V		±10		
Dynamic Output Resistance at DEM _{OUT}	R _D	V _{CC} =3.0V		25		Ω
		V _{CC} =4.5V		25		
		V _{CC} =6.0V		25		

■ AC CHARACTERISTICS (T_A =25°C , unless otherwise specified)

Phase Comparator Section (GND = 0 V; t_R = t_F =6ns; C_L = 50pF)

PARAMETER	SYMBOL	TEST CONDITIONS	MIN	TYP	MAX	UNIT
Propagation Delay SIG _{IN} , COMP _{IN} to PCP _{OUT}	t _{PHL} / t _{PLH}	V _{CC} =2.0V		96	340	ns
		V _{CC} =4.5V	Fig.8	35	68	
		V _{CC} =6.0V		28	58	
Propagation Delay SIG _{IN} , COMP _{IN} to PC3 _{OUT}	t _{PHL} / t _{PLH}	V _{CC} =2.0V		77	270	ns
		V _{CC} =4.5V	Fig.8	28	54	
		V _{CC} =6.0V		22	46	
3-State Output Enable Time SIG _{IN} , COMP _{IN} to PC2 _{OUT}	t _{PZH} / t _{PZL}	V _{CC} =2.0V		83	280	ns
		V _{CC} =4.5V	Fig.9	30	56	
		V _{CC} =6.0V		24	48	
3-State Output Disable Time SIG _{IN} , COMP _{IN} to PC2 _{OUT}	t _{PHZ} / t _{PLZ}	V _{CC} =2.0V		99	325	ns
		V _{CC} =4.5V	Fig.9	36	65	
		V _{CC} =6.0V		29	55	
Output Transition Time	t _{PHZ} / t _{PLZ}	V _{CC} =2.0V		19	75	ns
		V _{CC} =4.5V	Fig.8	7	15	
		V _{CC} =6.0V		6	13	
AC Coupled Input Sensitivity (Peak-To-Peak Value) at SIG _{IN} or COMP _{IN}	V _{IN(P-P)}	V _{CC} =2.0V	f _i = 1MHz	9		mV
		V _{CC} =3.0V		11		
		V _{CC} =4.5V		15		
		V _{CC} =6.0V		33		

VCO Section (GND = 0 V; t_R = t_F = 6 ns; C_L = 50 pF)

PARAMETER	SYMBOL	TEST CONDITIONS	MIN	TYP	MAX	UNIT
Frequency Stability with Temperature Change	Δ f/T	V _{CC} =3.0V	V _{IN} = V _{VCOIN} = 1/2 V _{CC} ; R1 = 100 kΩ; R2 = ∞; C1 = 100 pF			% /K
		V _{CC} =4.5V				
		V _{CC} =6.0V				
VCO Centre Frequency (duty Factor = 50%)	f _o	V _{CC} =3.0V	V _{VCOIN} = 1/2 V _{CC} ; R1 = 3 kΩ; R2 = ∞; C1 = 40 pF	7.0	10.0	MHz
		V _{CC} =4.5V		11.0	17.0	
		V _{CC} =6.0V		13.0	21.0	
VCO Frequency Linearity	Δ f _{VCO}	V _{CC} =3.0V	R1 = 100 kΩ; R2 = ∞; C1 = 100 pF;(Fig.10)		1.0	%
		V _{CC} =4.5V			0.4	
		V _{CC} =6.0V			0.3	
Duty Factor at VCO _{OUT}	δ _{VCO}	V _{CC} =3.0V		50		%
		V _{CC} =4.5V		50		
		V _{CC} =6.0V		50		

■ PHASE COMPARATORS

If the signal swing is between the standard HC family input logic levels, the signal input (SIG_{IN}) can be directly coupled to the self-biasing amplifier at pin 14. Capacitive coupling is required for signals with smaller swings.

Phase comparator 1 (PC1)

This is an EXCLUSIVE-OR network. To obtain the maximum locking range, the signal and comparator input frequencies (f_i) must have a 50% duty factor.

The transfer characteristic of PC1, assuming ripple (f_r = 2f_i) is suppressed, is:

$$V_{\text{DEMOUT}} = \frac{V_{\text{CC}}}{\pi} (\phi_{\text{SIGIN}} - \phi_{\text{COMPIN}})$$

Where V_{DEMOUT} is the demodulator output at pin 10; V_{DEMOUT} = V_{PC1OUT} (via low-pass filter).

The phase comparator gain is: $K_P = \frac{V_{\text{CC}}}{\pi} (V/r)$

As shown in Fig.1, the average output voltage from PC1, fed to the VCO input via the low-pass filter and seen at the demodulator output at pin 10 (V_{DEMOUT}) is the resultant of the phase differences of signals (SIG_{IN}) and the comparator input (COMP_{IN}). The average of V_{DEMOUT} is equal to V_{CC}/2 when there is no signal or noise at SIG_{IN} and with this input the VCO oscillates at the centre frequency (f₀). As shown in Fig.2 it is the typical waveforms for the PC1 loop locked at f₀.

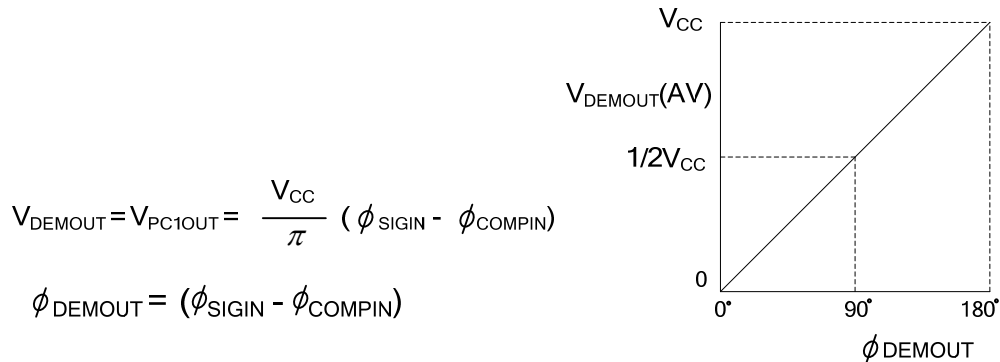


Fig.1 Phase comparator 1: average output voltage versus input phase difference.

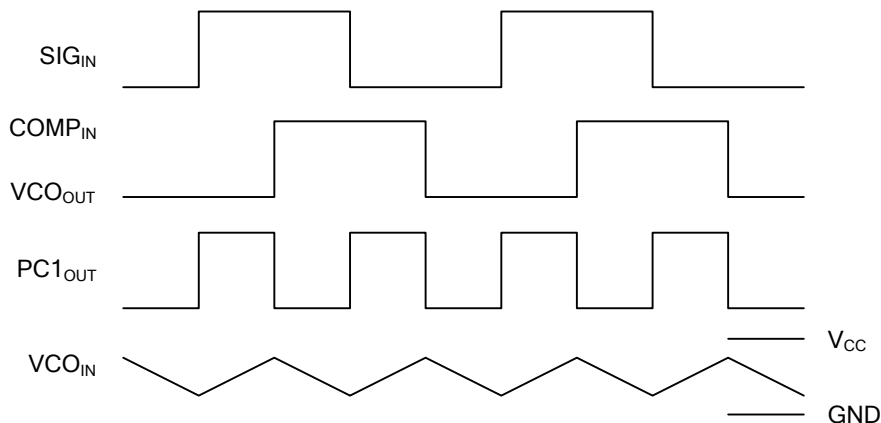


Fig.2 Typical waveforms for PLL using phase comparator 1, loop locked at f₀.

The frequency capture range (2f_c) is the frequency range of input signals on which the PLL will lock if it was initially out-of-lock. The frequency lock range (2f_L) is the frequency range of input signals on which the loop will stay locked if it was initially in lock. The capture range is smaller or equal to the lock range.

With PC1, the low-pass filter characteristics determine the capture range which can be made as large as the lock range.

This configuration retains lock even with very noisy input signals. Typical behavior of this type of phase comparator is that it can lock to input frequencies close to the harmonics of the VCO centre frequency.

■ PHASE COMPARATORS (Cont.)

Phase comparator 2 (PC2)

This is a positive edge-triggered phase and frequency detector. If the PLL is using the comparator, the loop is controlled by positive signal transitions and the duty factors of SIG_{IN} and COMP_{IN} are not important. PC2 is comprised of two D-type flip-flops, control-gating and a 3-state output stage. The circuit function is as an up-down counter (Logic Diagram) for SIG_{IN} causes an up-count and COMP_{IN} causes a down-count.

The transfer function of PC2, assuming ripple ($f_r = f_i$) is suppressed, is

$$V_{\text{DEMOUT}} = \frac{V_{\text{CC}}}{4\pi} (\phi_{\text{SIGIN}} - \phi_{\text{COMPIN}})$$

where V_{DEMOUT} is the demodulator output at pin 10; $V_{\text{DEMOUT}} = V_{\text{PC2OUT}}$ (via low-pass filter).

The phase comparator gain is: $K_p = \frac{V_{\text{CC}}}{4\pi} (V/r)$

As shown in Fig.3, V_{DEMOUT} is the resultant of the initial phase differences of SIG_{IN} and COMP_{IN}. Typical waveforms for the PC2 loop locked at f_0 are shown in Fig.4.

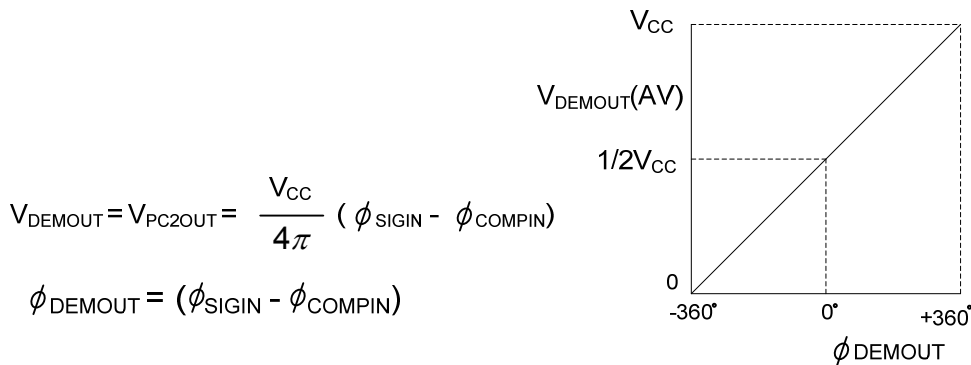


Fig.3 Phase comparator 2: average output voltage versus input phase difference.

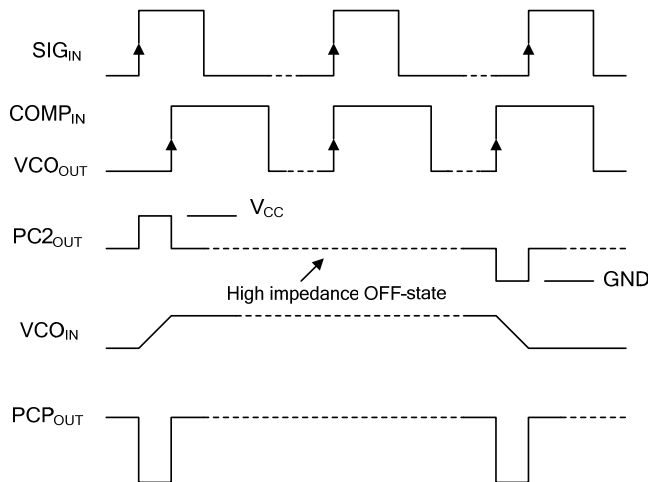


Fig.4 Typical waveforms for PLL using phase comparator 2, loop locked at f_0 .

If the frequencies of SIG_{IN} and COMP_{IN} are equal but the phase of SIG_{IN} leads that of COMP_{IN}, the p-type output driver at PC2_{OUT} is held “ON” for a time corresponding to the phase difference (ϕ_{DEMOUT}). If the phase of SIG_{IN} lags that of COMP_{IN}, the n-type driver is held “ON”.

If the frequency of SIG_{IN} is higher than that of COMP_{IN}, the p-type output driver is held “ON” for most of the input signal cycle time, and for the remainder of the cycle both n and p-type drivers are “OFF” (3-state). If the frequency of SIG_{IN} is lower than that of COMP_{IN}, the n-type driver is held “ON” for most of the cycle. Then the voltage at the capacitor (C2) of the low-pass filter connected to PC2_{OUT} varies until the signal and comparator inputs are equal in both phase and frequency. At this stable state the voltage on C2 remains constant as the PC2 output is in 3-state and the VCO input at pin 9 is a high impedance. Also in the condition, the signal at the phase comparator pulse output (PCP_{OUT}) is a HIGH level, and it indicates a locked condition.

For PC2, there is no phase difference between SIG_{IN} and COMP_{IN} over the full frequency range of the VCO. And as the low-pass filter, the power dissipation is reduced because both p and n-type drivers are “OFF” for most of the signal input cycle. It should be noted that the PLL lock range for this type of phase comparator is equal to the capture range and this is independent of the low-pass filter. The VCO adjusts to its lowest frequency via PC2 when no signal present at SIG_{IN}.

■ PHASE COMPARATORS (Cont.)

Phase comparator 3 (PC3)

This is a positive edge-triggered sequential phase detector using an RS-type flip-flop. If this comparator is used, the loop is controlled by positive signal transitions and the duty factors of SIG_{IN} and COMP_{IN} are not important. The transfer characteristic of PC3, assuming ripple (f_r = f_j) is suppressed, is:

$$V_{\text{DEMOUT}} = \frac{V_{\text{CC}}}{2\pi} (\phi_{\text{SIGIN}} - \phi_{\text{COMPIN}})$$

where V_{DEMOUT} = V_{PC3OUT} (via low-pass filter).

The phase comparator gain is: $K_P = \frac{V_{\text{CC}}}{2\pi} (V/r)$

As shown in Fig.5, the average output voltage from PC3, fed to the low-pass filter and seen at the demodulator output at pin 10 (V_{DEMOUT}), is the resultant of the phase differences of SIG_{IN} and COMP_{IN}. As shown in Fig.6, it is the typical waveforms for the PC3 loop locked at f_o.

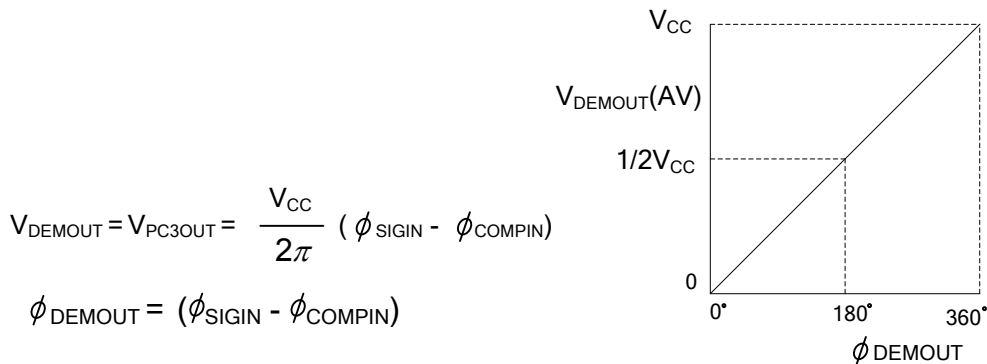


Fig.5 Phase comparator 3: average output voltage versus input phase difference.

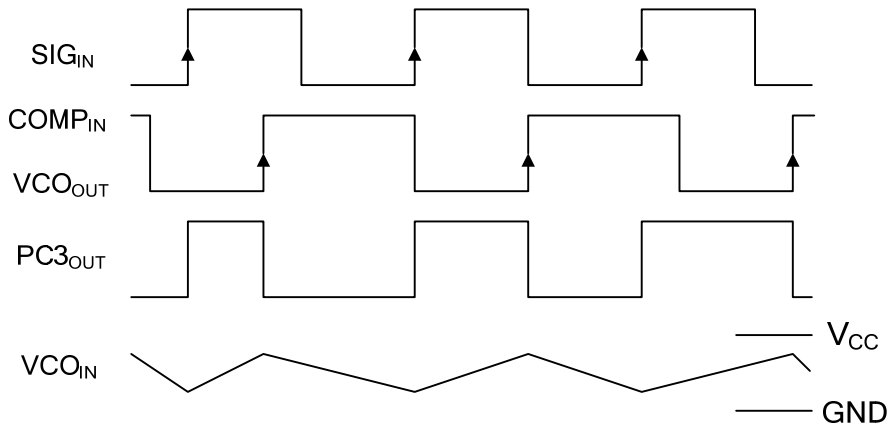


Fig.6 Typical waveforms for PLL using phase comparator 3, loop locked at f_o.

The phase-to-output response characteristic of PC3 (Fig.5) differs from that of PC2, as the phase angle between SIG_{IN} and COMP_{IN} varies between 0° and 360° and 180° is the centre frequency. And the voltage swing of PC3 is greater than that of PC2 for input phase differences, but as a consequence the ripple content of VCO input signal is higher. Both of the PLL lock range and capture range of this type of phase comparator are dependent on the low-pass filter. The VCO adjusts to its lowest frequency via PC3, when no signal present at SIG_{IN}.

■ FIGURE REFERENCES FOR DC CHARACTERISTICS

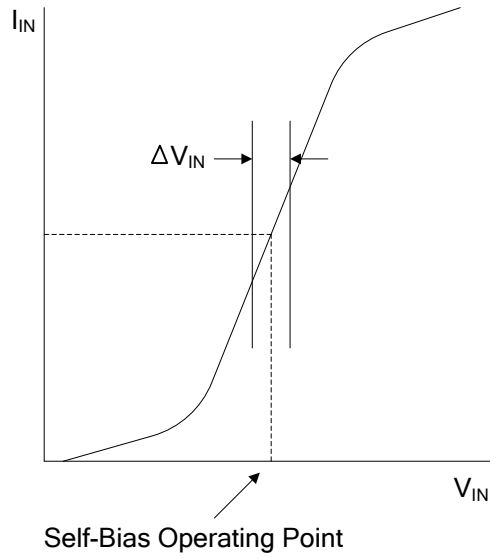


Fig.7 Typical input resistance curve at SIG_{IN}, COMP_{IN}.

■ AC WAVEFORMS

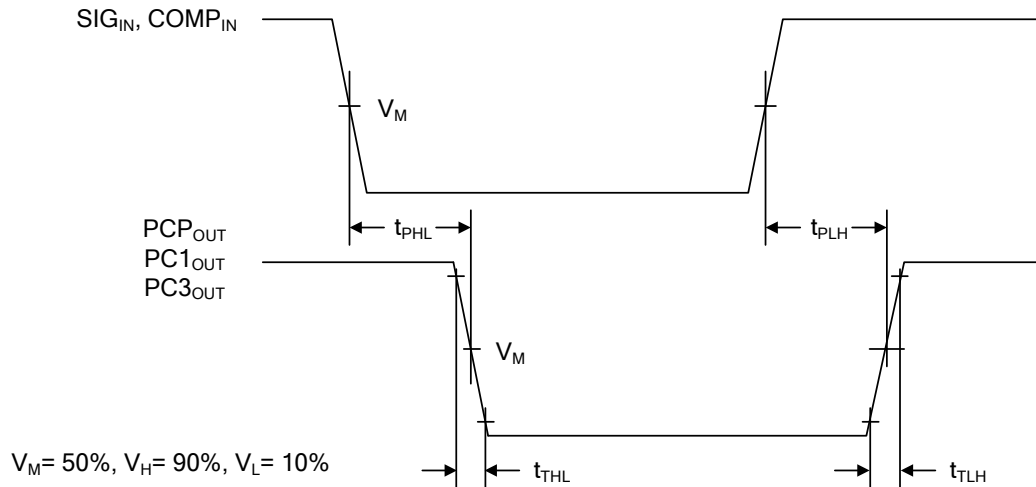


Fig.8 Waveforms showing input (SIG_{IN}, COMP_{IN}) to output (PCP_{OUT}, PC1_{OUT}, PC3_{OUT}) propagation delays and the output transition times.

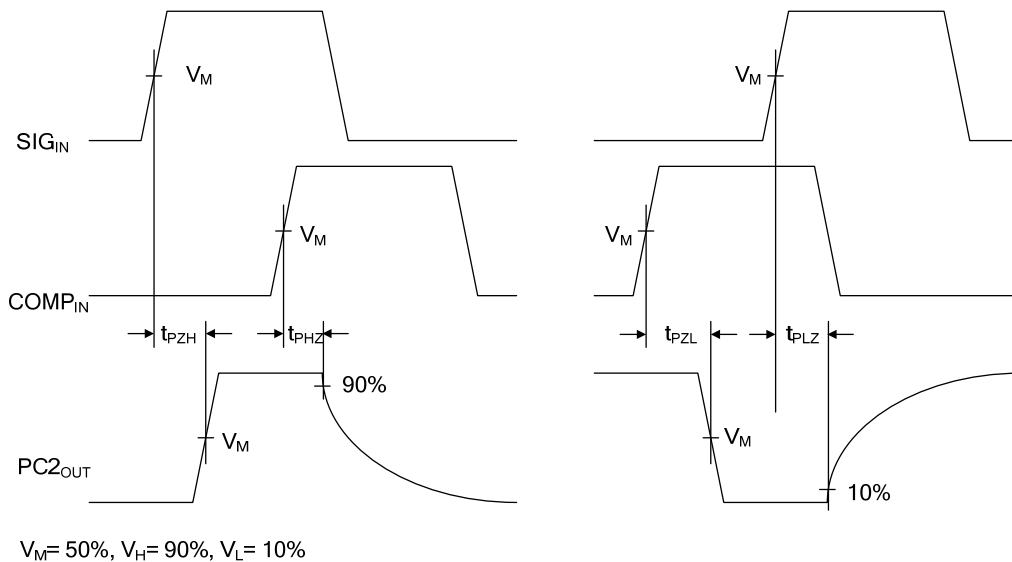


Fig.9 Waveforms showing the 3-state enable and disable times for PC2_{OUT}.

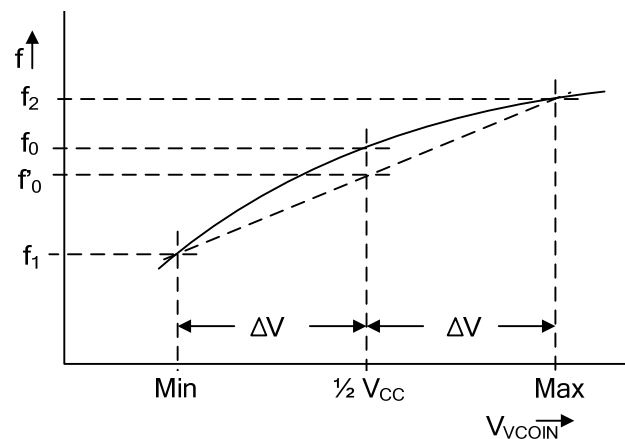


Fig.10 Definition of VCO frequency linearity: $\Delta V = 0.5 \text{ V}$ over the VCC range:
 For VCO linearity $f_0 = (f_1 + f_2)/2$, linearity $(f_0 + f_0)/f_0 \times 100\%$

APPLICATION INFORMATION

This is a reference for the values of external components to be used with the **U74HC4046A** in a PLL system. The ranges of the values of the components:

Component	Value
R1	3 kΩ ~ 300 kΩ
R2	3 kΩ ~ 300 kΩ
R1+R2	Parallel value > 2.7 kΩ
C1	Greater than 40 pF

VCO Frequency Without Extra Offset (Phase comparator: PC1, PC2 or PC3)

Frequency Characteristic:

With $R2 = \infty$ and $R1$ between 3 kΩ and 300 kΩ, the characteristics of the VCO operation will be as shown in Fig.11 (Due to $R1, C1$ time constant a small offset remains when $R2 = \infty$).

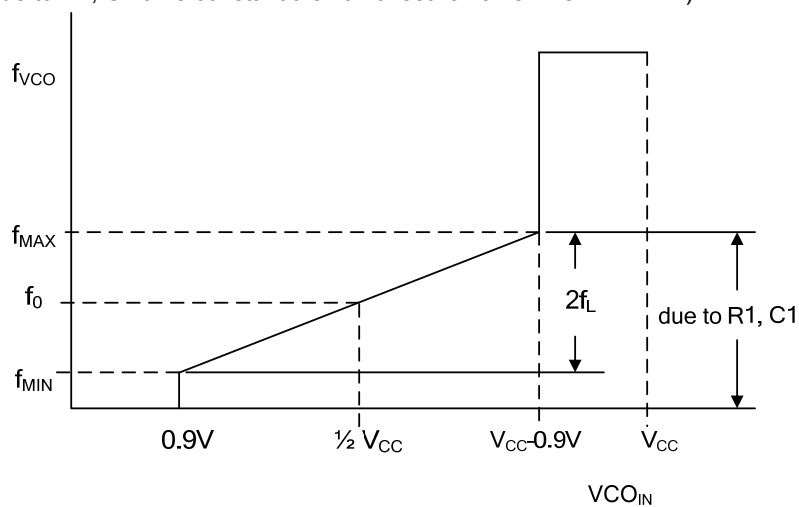


Fig.11 Frequency characteristic of VCO operating without offset:
 f_0 = centre frequency; $2f_L$ = frequency lock range.

■ APPLICATION INFORMATION(Cont.)

VCO Frequency with Extra Offset (Phase Comparator: PC1, PC2 or PC3)

Frequency characteristic:

With R1 and R2 between 3 kΩ and 300 kΩ, the characteristics of the VCO operation will be as shown in Fig.12.

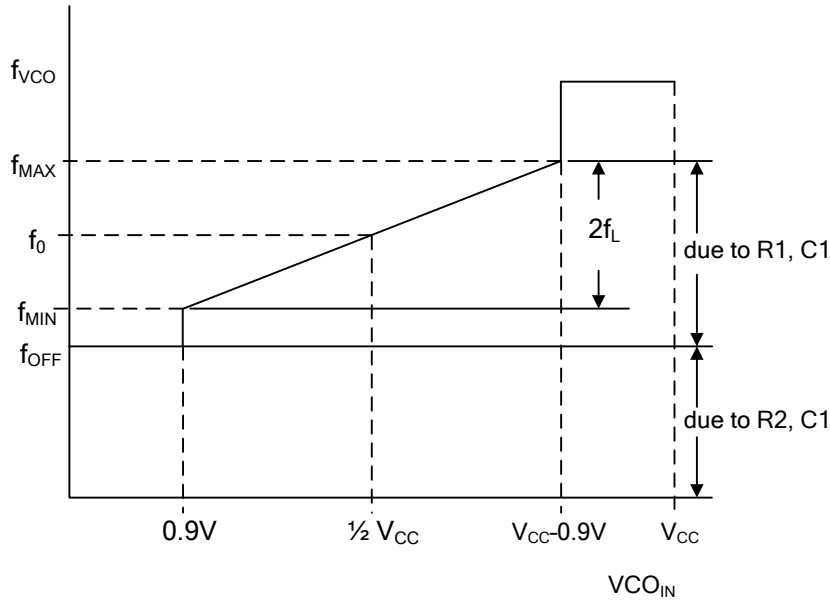


Fig.12 Frequency characteristic of VCO operating with offset:

f_0 = centre frequency; $2f_L$ = frequency lock range.

PC1, PC2 or PC3

Selection of R1, R2 and C1

Given f_0 and f_L , determine the value of $R1 \times C1$

Calculate f_{OFF} from the equation $f_{OFF} = f_0 - 1.6f_L$

Obtain the values of C1 and R2

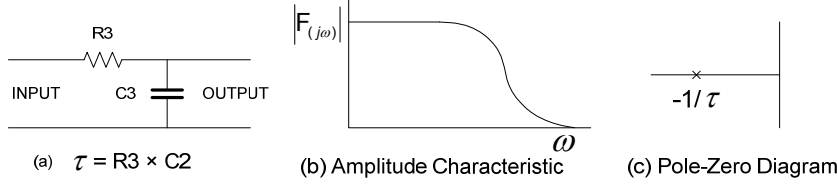
Calculate the value of R1 from the value of C1 and $R1 \times C1$.

Subject	Phase comparator	Design considerations
PLL Conditions with no Signal at the SIG _{IN} Input	PC1	VCO adjusts to f_0 with $\phi_{DEMOUT} = 90^\circ$ and $V_{VCONIN} = 1/2 V_{CD}$ (Fig.1).
	PC2	VCO adjusts to f_0 with $\phi_{DEMOUT} = -360^\circ$ and $V_{VCONIN} = \text{min.}$ (Fig.3).
	PC3	VCO adjusts to f_0 with $\phi_{DEMOUT} = -360^\circ$ and $V_{VCONIN} = \text{min.}$ (Fig.5).

■ APPLICATION INFORMATION(Cont.)

PLL Frequency Capture Range (Phase comparator: PC1, PC2 or PC3)

Loop filter component selection



A small capture range ($2f_c$) is obtained if $2f_c \approx \frac{1}{\pi} \sqrt{2\pi f_L / \tau}$

Fig.13 Simple loop filter for PLL without offset; $R3 \geq 500 \Omega$.

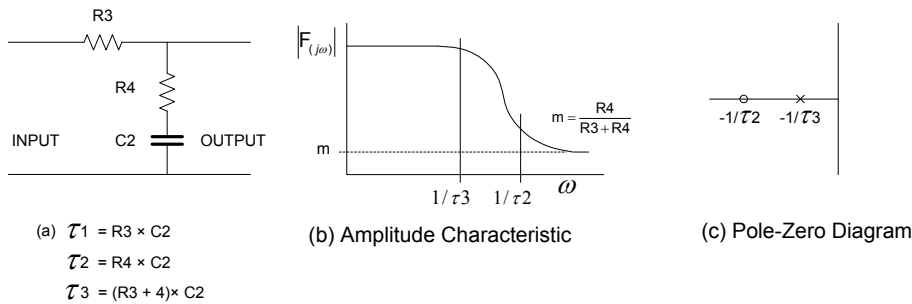


Fig.14 Simple loop filter for PLL with offset; $R3 + R4 \geq 500 \Omega$.

Subject	Phase comparator	Design considerations
PLL Locks on Harmonics at Centre Frequency	PC1 or PC3	Yes
	PC2	No
Noise Rejection at Signal Input	PC1	High
	PC2 or PC3	Low
AC Ripple Content when PLL is Locked	PC1	$f_r = 2f_i$, large ripple content at $\phi_{DEMOOUT} = 90^\circ$
	PC2	$f_r = f_i$, small ripple content at $\phi_{DEMOOUT} = 0^\circ$
	PC3	$f_r = f_i$, large ripple content at $\phi_{DEMOOUT} = 180^\circ$

■ PLL DESIGN EXAMPLE

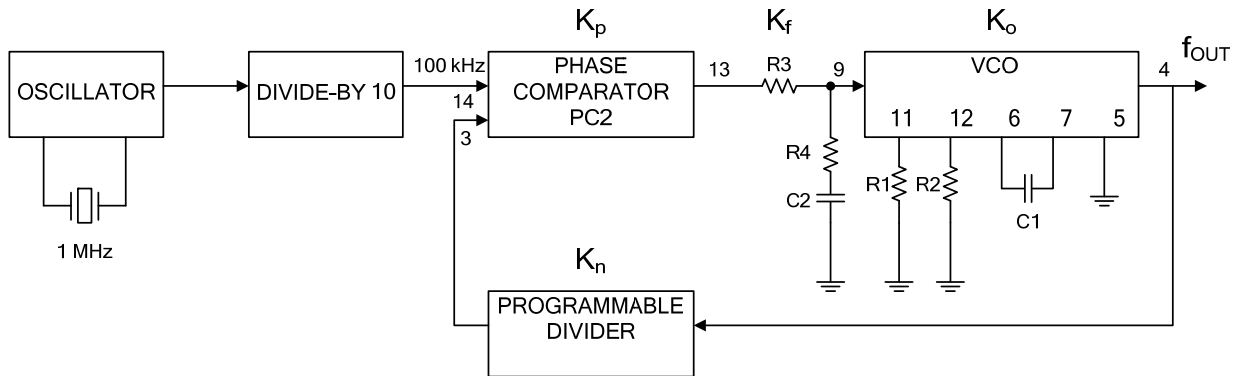


Fig.15 Frequency Synthesizer.

The parameters of the frequency synthesizer in Fig.15:

Output frequency: 2 MHz to 3 MHz

Frequency steps: 100kHz

Settling time: 1ms

Overshoot: < 20%

The **Open-Loop Gain** is: $H(s) \times G(s) = K_p \times K_f \times K_o \times K_n$

Where: K_p = phase comparator gain
 K_f = low-pass filter transfer gain
 K_o = K_v/s VCO gain
 K_n = $1/n$ divider ratio

The programmable counter ratio K_n can be found as follows:

$$N_{Min} = \frac{f_{out}}{f_{step}} = \frac{2MHz}{100kHz} = 20$$

$$N_{Max} = \frac{f_{out}}{f_{step}} = \frac{3MHz}{100kHz} = 30$$

The VCO is set by the values of R1, R2 and C1, R2 = 10 kΩ (adjustable). The values can be determined using the information in the section “DESIGN CONSIDERATIONS”.

With $f_o = 2.5MHz$ and $f_L = 500 kHz$ this gives the following values ($V_{CC} = 5.0 V$):

R1 = 10 kΩ; R2 = 10 kΩ; C1 = 500 pF

The VCO gain is:
$$K_v = \frac{2f_L \times 2 \times \pi}{0.9 - (V_{CC} - 0.9)} = \frac{1MHz}{3.2} \times 2\pi \approx 2 \times 10^6 r / s / V$$

The gain of the phase comparator is:
$$K_p = \frac{V_{CC}}{4\pi} = 0.4V / s$$

The transfer gain of the filter is given by:
$$K_f = \frac{1 + \tau_2 S}{1 + (\tau_1 + \tau_2) S}$$

Where: $\tau_1 = R3C2$ and $\tau_2 = R4C2$

The characteristics equation is: $1 + H(S) \times G(S) = 0$

This results in:
$$S^2 + \frac{1 + K_p \times K_v \times K_n \times \tau_2}{(\tau_1 + \tau_2)} S + \frac{K_p \times K_v \times K_n}{(\tau_1 + \tau_2)} = 0$$

The natural frequency ω_n is defined as follows:
$$\omega_n = \sqrt{\frac{K_p \times K_v \times K_n}{(\tau_1 + \tau_2)}}$$

Damping Value ζ is Defined as follows:
$$\zeta = \frac{1}{2\omega_n} \times \frac{1 + K_p \times K_v \times K_n \times \tau_2}{(\tau_1 + \tau_2)}$$

UTC assumes no responsibility for equipment failures that result from using products at values that exceed, even momentarily, rated values (such as maximum ratings, operating condition ranges, or other parameters) listed in products specifications of any and all UTC products described or contained herein. UTC products are not designed for use in life support appliances, devices or systems where malfunction of these products can be reasonably expected to result in personal injury. Reproduction in whole or in part is prohibited without the prior written consent of the copyright owner. The information presented in this document does not form part of any quotation or contract, is believed to be accurate and reliable and may be changed without notice.