



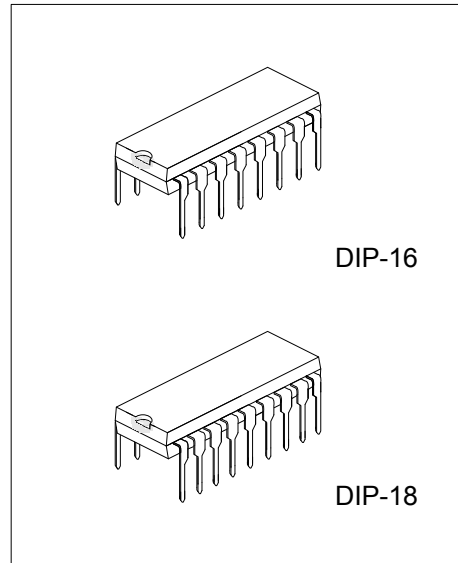
# 8156

**CMOS IC**

## 8 FUNCTIONS X'MAS LIGHT CONTROL

### ■ FEATURES

- \* 8 Functions
- \* Rotary Switch Select
- \* Built in PLL, 50/60Hz Auto Detect.

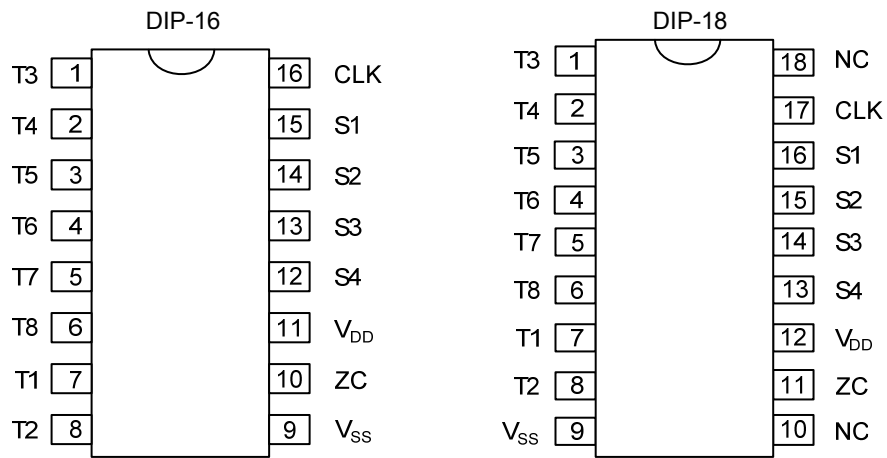


### ■ ORDERING INFORMATION

Ordering Number		Package	Packing
Lead Free	Halogen Free		
8156L-D16-T	8156G-D16-T	DIP-16	Tube
8156L-D18-T	8156G-D18-T	DIP-18	Tube

<p>8156L-D16-T</p>	<p>(1)Packing Type</p> <p>(2)Package Type</p> <p>(3)Lead Free</p>	<p>(1) T: Tube</p> <p>(2) D16: DIP-16, D18: DIP-18</p> <p>(3) G:Halogen Free, L: Lead Free</p>
--------------------	---	--

■ PIN CONFIGURATION



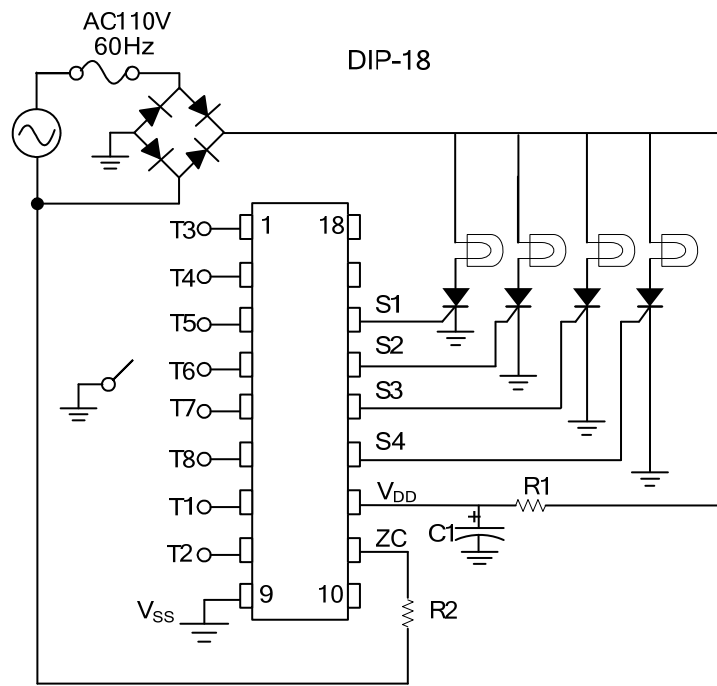
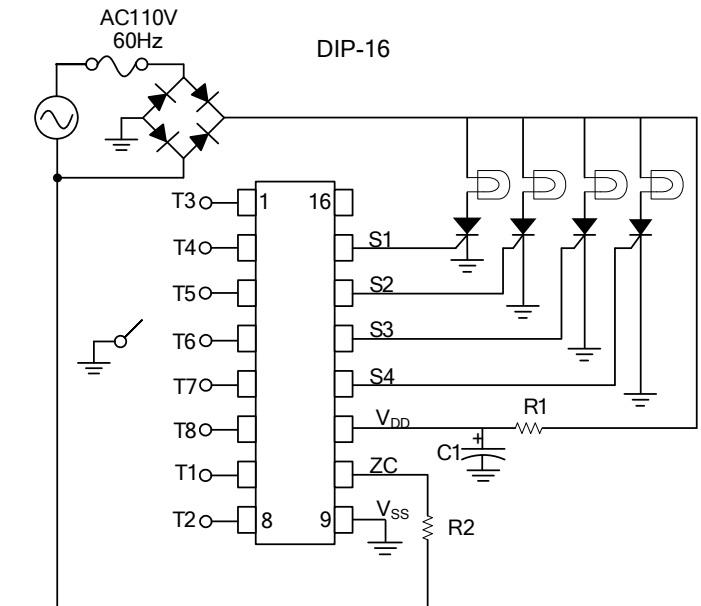
■ MODE FUNCTIONS

MODE	FUNCTIONS
1	AUTO SCAN MODE 2 TO MODE 7
2	IN WAVES
3	SEQUENTIAL
4	SLO-GOL
5	CHASING / FLASH
6	SLOW FADE
7	TWINKLE / FLASH
8	STEADY ON

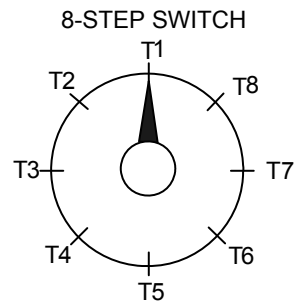
■ ELECTRICAL CHARACTERISTICS (@V<sub>DD</sub>=4V unless otherwise specified)

PARAMETER	SYMBOL	TEST CONDITIONS	MIN.	TYP.	MAX.	UNIT
Operating Voltage	V <sub>DD</sub>			4	5	V
Operating Current	I <sub>OP</sub>	No load			2	mA
Oscillator Frequency	F <sub>OSC</sub>	±30% TOL.		250		KHz
Operating Temperature	T <sub>OPR.</sub>		0	25	60	°C

■ APPLICATION DIAGRAM



	AC110V 60Hz	AC220V 50Hz	AC24V 50Hz
R1	82K	180K	200K
R2	1M	1M	1M
C1	47 $\mu$ /16V	47 $\mu$ /16V	47 $\mu$ /16V



UTC assumes no responsibility for equipment failures that result from using products at values that exceed, even momentarily, rated values (such as maximum ratings, operating condition ranges, or other parameters) listed in products specifications of any and all UTC products described or contained herein. UTC products are not designed for use in life support appliances, devices or systems where malfunction of these products can be reasonably expected to result in personal injury. Reproduction in whole or in part is prohibited without the prior written consent of the copyright owner. The information presented in this document does not form part of any quotation or contract, is believed to be accurate and reliable and may be changed without notice.