



## UPSRB01B

Preliminary

LINEAR INTEGRATED CIRCUIT

### HIGH PRECISION CC/CV PRIMARY SIDE SWITCHING REGULATOR

#### DESCRIPTION

The UTC **UPSRB01B** is a primary control unit for switch mode charger and adapter applications. The controlled variable is transferred by an auxiliary winding from the secondary to the primary side. The device uses Pulse Frequency Modulation (PFM) method to build discontinuous conduction mode (DCM) flyback power supplies.

The UTC **UPSRB01B** operates in primary-side sensing and regulation. Opto-coupler and TL431 could be eliminated. It also eliminates the need of loop compensation circuitry while maintaining stability.

The UTC **UPSRB01B** achieves high precision CV/CC regulation and high power efficiency. It offers comprehensive protection coverage with auto-recovery features including Cycle-by-cycle current limiting, output over voltage protection,  $V_{DD}$  over voltage protection, feedback loop open protection, short circuit protection, leading edge blanking, OTP,  $V_{DD}$  under voltage lockout, etc.

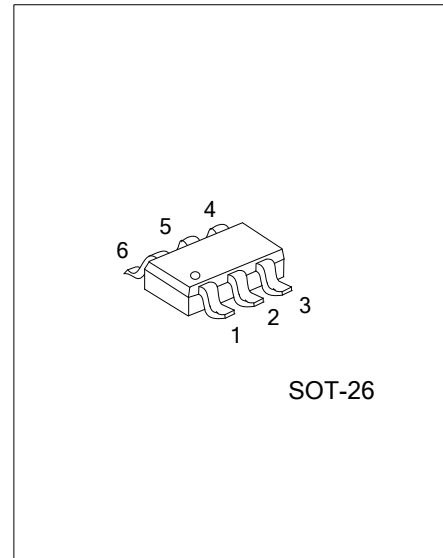
#### FEATURES

- \*  $\pm 5\%$  constant voltage regulation at universal AC input
- \* Primary side control without TL431 and opto-coupler
- \* High precision constant current regulation at universal AC input
- \* Programmable CV and CC regulation
- \* Eliminates control loop compensation circuitry
- \* Flyback topology in DCM operation
- \* Random frequency modulation to reduce system EMI
- \* Driver BJT switch
- \* Built-in leading edge blanking
- \* Built-in primary winding inductance compensation
- \* Open circuit protection
- \* Output over voltage protection
- \*  $V_{DD}$  over voltage protection
- \* Short circuit protection
- \* Over temperature protection

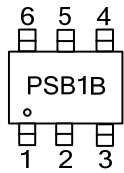
#### ORDERING INFORMATION

Ordering Number	Package	Packing
UPSRB01BG-AG6-R	SOT-26	Tape Reel

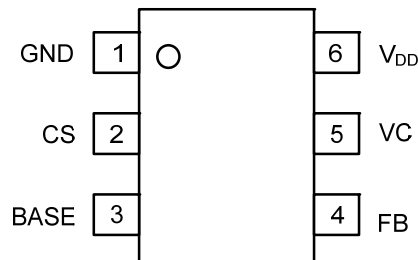
UPSRB01BG-AG6-R	(1)Packing Type	(1) R: Tape Reel
	(2)Package Type	(2) AG6: SOT-26
	(3)Green Package	(3) G: Halogen Free and Lead Free



MARKING



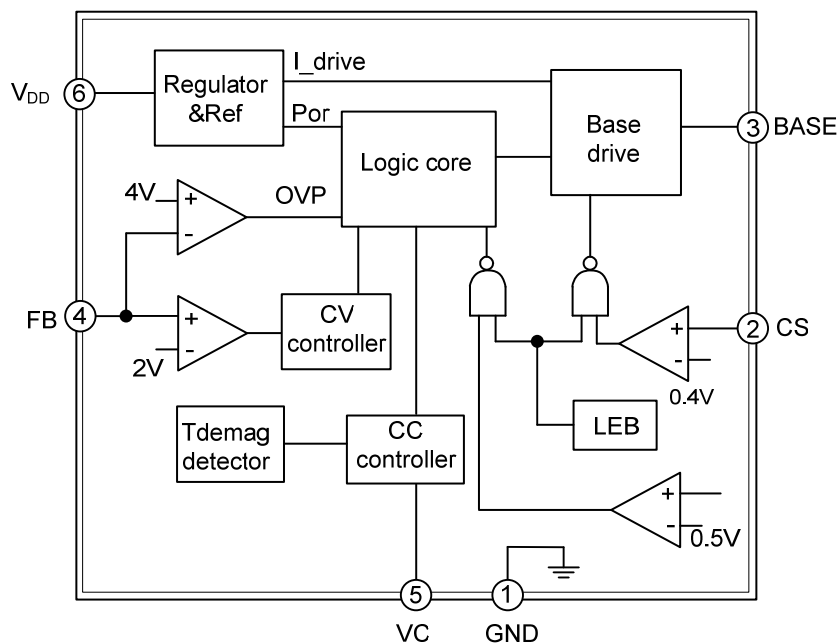
PIN CONFIGURATION



PIN DESCRIPTION

PIN NO.	PIN NAME	DESCRIPTION
1	GND	Ground
2	CS	Current sense input.
3	BASE	Base drive for power BJT.
4	FB	The voltage feedback from the auxiliary winding
5	VC	Low pass filter capacitor for cable compensation
6	V <sub>DD</sub>	Power supply

BLOCK DIAGRAM



### ■ ABSOLUTE MAXIMUM RATING

PARAMETER	SYMBOL	RATINGS	UNIT
V <sub>DD</sub> Voltage	V <sub>DD</sub>	-0.3~30	V
VC Voltage	V <sub>C</sub>	-0.3~7	V
BASE Voltage	V <sub>BASE</sub>	-0.3~7	V
CS Input Voltage	V <sub>CS</sub>	-0.3~7	V
FB Input Voltage	V <sub>FB</sub>	-0.3~7	V
Junction Temperature	T <sub>J</sub>	-40~150	°C
Operating Temperature	T <sub>OPR</sub>	+150	°C
Storage Temperature	T <sub>STG</sub>	-55~150	°C

Note: Absolute maximum ratings are those values beyond which the device could be permanently damaged. Absolute maximum ratings are stress ratings only and functional device operation is not implied.

### ■ ELECTRICAL CHARACTERISTICS (T<sub>A</sub>=25°C, V<sub>DD</sub>=15V, if not otherwise noted)

PARAMETER	SYMBOL	TEST CONDITIONS	MIN	TYP	MAX	UNIT
<b>Supply Voltage (V<sub>DD</sub>) Section</b>						
Start up Current	I <sub>ST</sub>	V <sub>DD</sub> =11V		1	3	μA
Static Current	I <sub>OP</sub>	V <sub>DD</sub> =15V		300	400	μA
Turn-off Threshold Voltage	V <sub>TH(OFF)</sub>		6.0	6.8	7.6	V
Turn-on Threshold Voltage	V <sub>TH(ON)</sub>		11.5	12.5	13.5	V
V <sub>DD</sub> Over Voltage Protection	V <sub>DD_OVP</sub>		25	27	29	V
Operating Voltage					25	V
<b>Current Sense Input Section</b>						
LEB Time	T <sub>LEB</sub>			0.5		μS
Over Current Threshold	V <sub>CS</sub>		485	500	515	mV
OCP Propagation Delay	T <sub>D_OC</sub>	From OCP Comparator to Base Drive		100		nS
<b>FB Input Section</b>						
Reference Voltage for Feedback Threshold	V <sub>FB</sub>		1.98	2.00	2.02	V
Minimum Pause	T <sub>PAUSE MIN</sub>			2.0		μS
Maximum Pause	T <sub>PAUSE MAX</sub>		8	10	12	mS
<b>OTP Section</b>						
Over Temperature Protection	T <sub>OTP</sub>			150		°C
<b>BASE Drive Section</b>						
Base Sourcing Maximum Current	I <sub>OUT(SOURCE)</sub>		20	30	40	mA
Base Sourcing Current After Pre-off	I <sub>OUT(PRE)</sub>		0.5	1	1.5	mA
Base Drive Low Side On Resistor	R <sub>DSON L</sub>			1		Ω

### ■ OPERATION DESCRIPTION

The UTC **UPSRB01B** is a primary control unit for switch mode charger and adapter applications. It operates in primary-side sensing and regulation. Opto-coupler and TL431 could be eliminated. Proprietary built-in CV and CC control can achieve high precision CV/CC performance. It uses Pulse Frequency Modulation (PFM) method to build discontinuous conduction mode (DCM) flyback power supplies.

#### Startup control

The  $V_{DD}$  pin of UTC **UPSRB01B** is connected to the line input through a resistor. A large value startup resistor can be used to minimize the power loss in application because the start current of UTC **UPSRB01B** is very low. When the  $V_{DD}$  voltage reaches  $V_{TH(ON)}$ , the internal startup circuit is disabled and the IC turns on.

#### Operating Current

The Operating current of UTC **UPSRB01B** is as low as 400 $\mu$ A. Good efficiency and very low standby power can be achieved.

#### Constant Voltage Operation

The output voltage is defined by the transmission ratio between the secondary and auxiliary winding. The UTC **UPSRB01B** captures the auxiliary winding feedback voltage at FB pin and operates in constant-voltage (CV) mode to regulate the output voltage. The auxiliary voltage reflects the output voltage is given by:

$$V_{AUX} = \frac{N_A}{N_S} \times (V_O + \Delta V) \quad (1)$$

Where  $\Delta V$  indicates the drop voltage of the output diode.

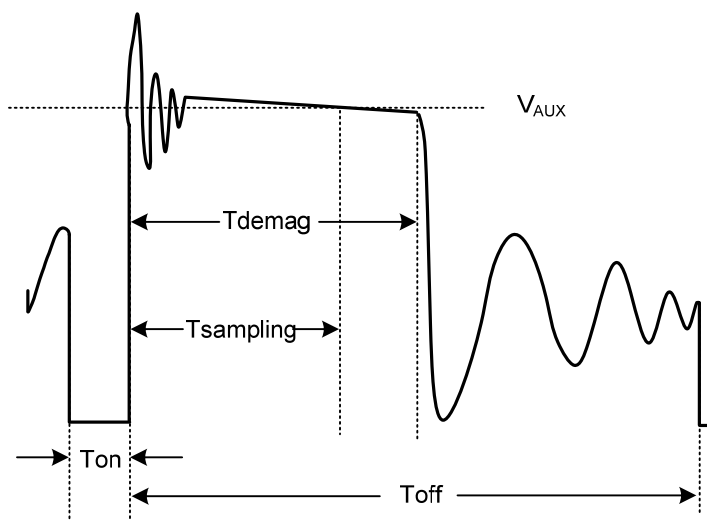


Figure2. Auxiliary voltage waveform

Via a resistor divider connected between the auxiliary winding and FB, the  $V_{AUX}$  is sampled at the  $T_{sampling}$  end and it is hold until the next sampling. The sampled voltage is compared with 2V reference voltage and the error is amplified. The error amplifier output reflects the load condition and controls the  $T_{off}$  time to regulate the output voltage, thus constant output voltage can be achieved.

#### Constant Current Operation

When the sampled voltage is below 2V reference voltage and the error amplifier output reaches its maximum, thus UTC **UPSRB01B** operates in constant-current (CC) mode. The CC point and maximum output power can be externally adjusted by external current sense resistor  $R_{cs}$ . The larger  $R_{cs}$ , the smaller CC point is, and the smaller output power becomes.

■ OPERATION DESCRIPTION (Cont.)

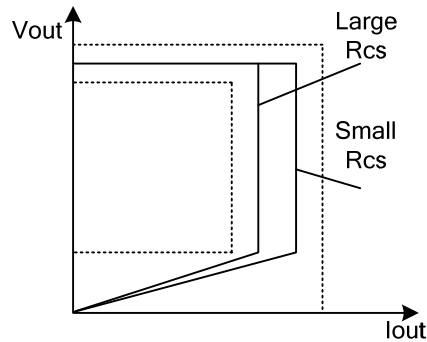


Figure3. Adjustable output power by changing Rcs

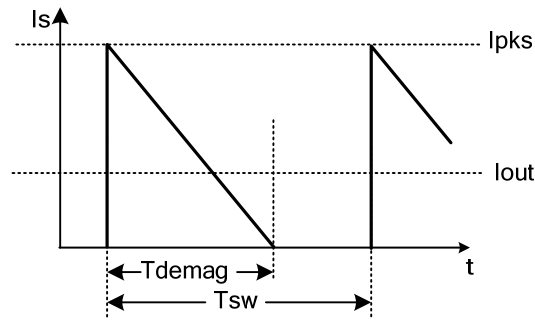


Figure4. Secondary current waveform

In CC operation, the CC loop control function of UTC **UPSRB01B** will keep a fixed proportion between secondary inductance de-magnetization time ( $T_{demag}$ ) and switching cycle time ( $T_{sw}$ ). The fixed proportion is

$$\frac{T_{demag}}{T_{sw}} = \frac{1}{2} \tag{2}$$

Thus the output current is given by:

$$I_{out} = \frac{1}{2} \times \frac{N_p}{N_s} \times I_{PK} \times \frac{T_{demag}}{T_{sw}} = \frac{1}{4} \times \frac{N_p}{N_s} \times I_{PK} \tag{3}$$

**Current Sensing and Leading Edge Blanking**

Cycle-by-cycle current limiting is offered in UTC **UPSRB01B**. The switch current is detected by a sense resistor into the CS pin. When the power switch is turned on, a turn-on spike will occur on this resistor. A 500ns leading-edge blanking is built in to avoid false-termination of the switching pulse so that the external RC filtering is no longer needed.

## ■ OPERATION DESCRIPTION (Cont.)

**Drive BJT**

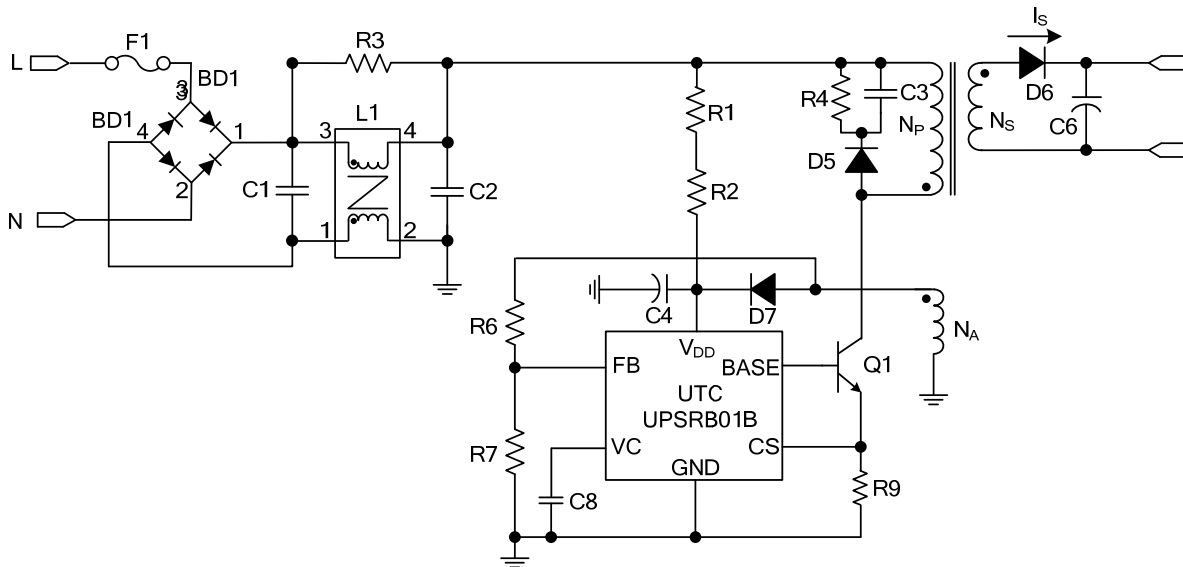
The driver is a push pull stage with the supply voltage  $V_{DD}$ . It provides the driving current for the external power bipolar transistor. The output signal is current-limited to  $I_{OUT(SOURCE)}$ .

**Protection Control**

Good power supply system reliability is achieved with its comprehensive protection features including output over-voltage protection,  $V_{DD}$  over voltage protection, OTP, feedback loop open protection, Cycle-by-cycle current limiting, short circuit protection, leading edge blanking and UVLO, etc.

$V_{DD}$  is supplied by transformer auxiliary winding output. The output of UTC **UPSRB01B** is shutdown when  $V_{DD}$  drops below  $V_{TH(OFF)}$  and the power converter enters power on start-up sequence thereafter.

### ■ TYPICAL APPLICATION CIRCUIT (5V/1A)



### BOM

Reference	Component	Reference	Component
BD1	BD 1A/600V	R3	R 2.4KΩ 1206 ±5%
L1	Choke	R1,R2	R 4.7MΩ 1206 ±5%
C1	EC 4.7u F 400V 105°C	R4	R 330KΩ 1206 ±5%
C2	EC 4.7u F 400V 105°C	R6	R 20KΩ 0805 ±1%
C3	CC 1n F 1000V 1206	R7	R 3.3KΩ 0805 ±1%
C4	EC 2.2u F 50V 105°C	R9	R 1.1Ω 1206 ±5%
C6	EC 680u F 10V 105°C	T1	EE-16
C8	CC 22n F 50V 0805	F1	FUSE 1A 250VAC
D5, D7	UTC 1N4007	Q1	UTC MJE13003
D6	UTC SB340		

UTC assumes no responsibility for equipment failures that result from using products at values that exceed, even momentarily, rated values (such as maximum ratings, operating condition ranges, or other parameters) listed in products specifications of any and all UTC products described or contained herein. UTC products are not designed for use in life support appliances, devices or systems where malfunction of these products can be reasonably expected to result in personal injury. Reproduction in whole or in part is prohibited without the prior written consent of the copyright owner. The information presented in this document does not form part of any quotation or contract, is believed to be accurate and reliable and may be changed without notice.