



P34563

Preliminary

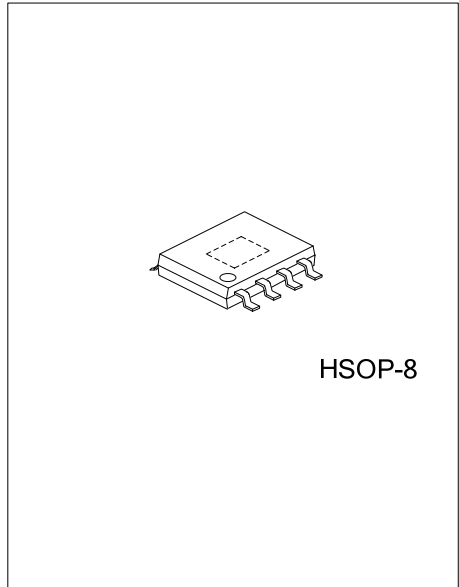
LINEAR INTEGRATED CIRCUIT

PWM CONTROL 3A STEP-DOWN CONVERTER

DESCRIPTION

The UTC **P34563** consists of step-down switching regulator with PWM control.

The UTC **P34563** provides low-ripple power, high efficiency, and excellent transient characteristics. The PWM control circuit is able to the duty ratio linearly forms 0 up to 100%. With the addition of an internal P-channel Power MOS, and a diode connected externally, these ICs can function as step-down switching regulators. They serve as ideal power supply units for portable devices when coupled with the HSOP-8 package, providing such outstanding features as low current consumption. Since this converter can accommodate an input voltage up to 40V.



FEATURES

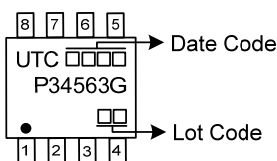
- * Input voltage: 8V~40V
- * Oscillation frequency: 100K/350KHz
- * Duty ratio: 0%~100% PWM control
- * Adjustable version output voltage range from 3.3V to 38V
- * Enable and auto restart function.
- * Short Circuit Protect (SCP).
- * Thermal Shutdown function / Internal OVP.
- * Built-in internal SW P-channel MOS.

ORDERING INFORMATION

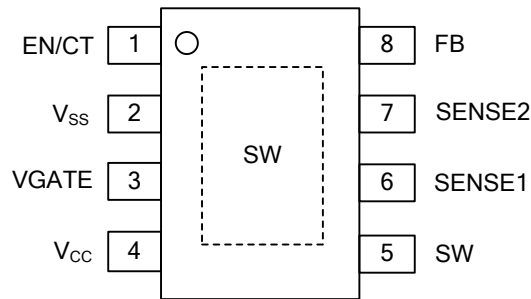
Ordering Number	Package	Packing
P34563G-SH2-R	HSOP-8	Tape Reel

<p>P34563G-SH2-R</p> <ul style="list-style-type: none"> (1) Packing Type (2) Package Type (3) Green Package 	<ul style="list-style-type: none"> (1) R: Tape Reel (2) SH2: HSOP-8 (3) G: Halogen Free and Lead Free
----------------------------------------------------------------------------------------------------------------------------------------------	----------------------------------------------------------------------------------------------------------------------------------------

MARKING



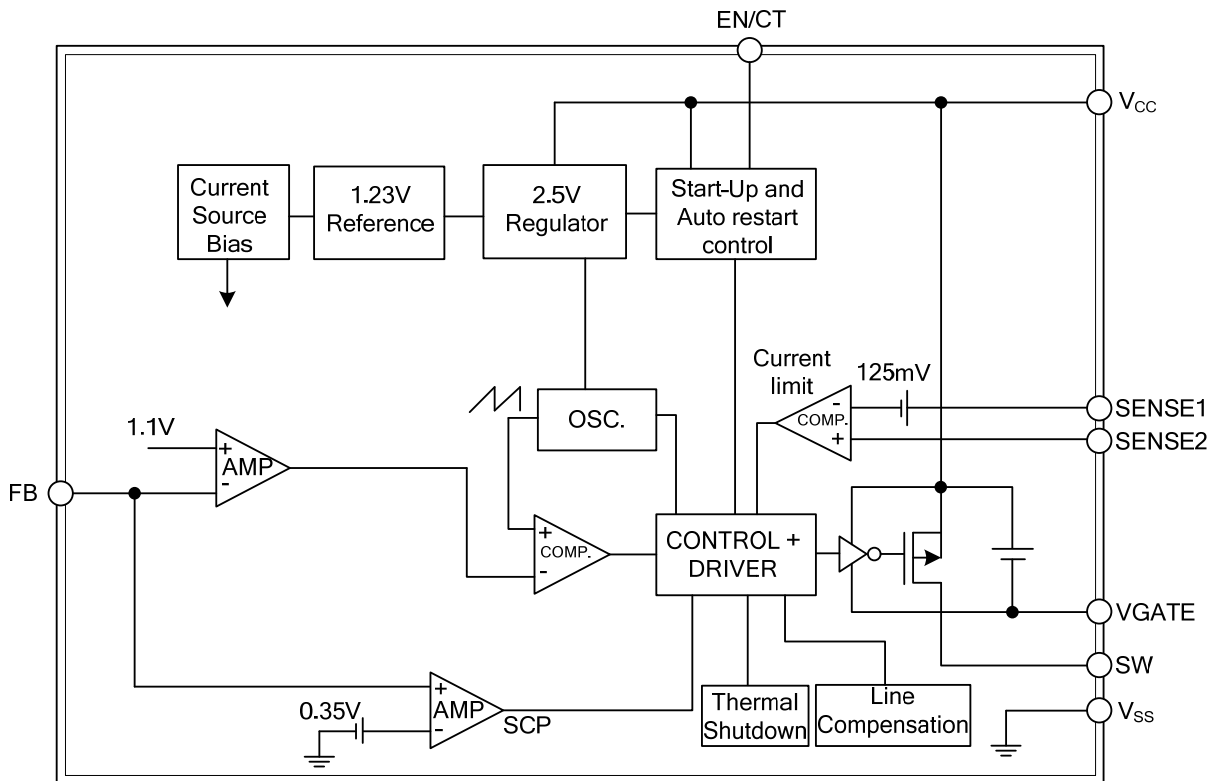
■ PIN CONFIGURATION



■ PIN DESCRIPTION

PIN NO.	PIN NAME	DESCRIPTION
1	EN/CT	ON/OFF and auto restart control
2	V _{SS}	GND pin
3	VGATE	Driver gate clamping pin.
4	V _{CC}	Operating voltage input
5	SW	Switch pin.
6	SENSE1	Current sense input1
7	SENSE2	Current sense input2
8	FB	Feedback pin

■ BLOCK DIAGRAM



■ ABSOLUTE MAXIMUM RATING (T_A=25°C, unless otherwise specified.)

PARAMETER	SYMBOL	RATINGS	UNIT
VCC Pin Voltage	V _{CC}	V _{SS} -0.3~V _{SS} +45	V
Feedback Pin Voltage	V _{FB}	V _{SS} -0.3~38	V
EN/CT, OVP Pin Voltage		V _{SS} -0.3~6	V
SENSE1,SENSE2 Pin Voltage		V _{SS} -0.3~38	V
Switch Pin Voltage	V _{SW}	V _{SS} -0.3~V _{CC} +0.3	V
Power Dissipation	P _D	(T _J -T _A)/θ _{JA}	W
Operating Supply Voltage	V _{OP}	+8~+40	V
Output Current	I _{OUT}	0~3	A
Operating Temperature	T _{OPR}	-20~+125	°C
Storage Temperature	T _{STG}	-40~+165	°C

Note: Absolute maximum ratings are those values beyond which the device could be permanently damaged. Absolute maximum ratings are stress ratings only and functional device operation is not implied.

■ THERMAL CHARACTERISTICS

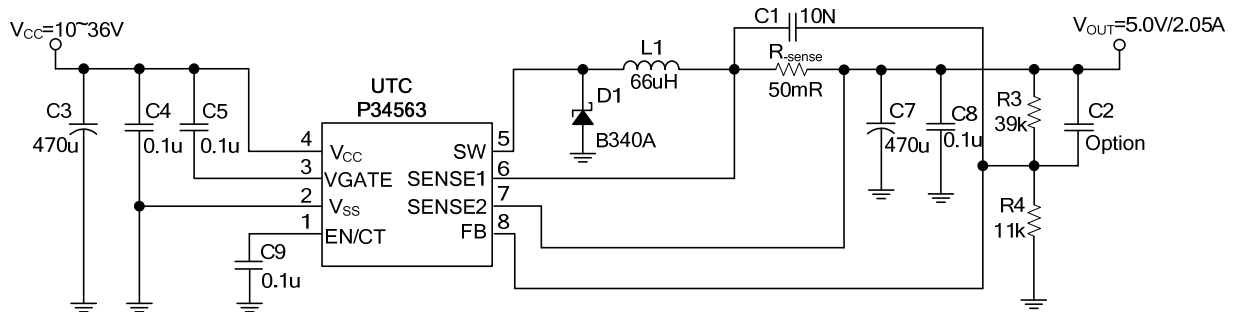
PARAMETER	SYMBOL	RATINGS	UNIT
Junction to Ambient	θ _{JA}	143	°C/W
Junction to Case	θ _{JC}	15	°C/W

■ ELECTRICAL CHARACTERISTICS

PARAMETER	SYMBOL	TEST CONDITIONS	MIN	TYP	MAX	UNIT
FB	V _{FB}	I _{OUT} =10mA	1.08	1.10	1.12	V
Under Voltage Lockout	U _{VLO}	Falling		6		V
UVLO Hysteresis				0.8		V
OVP Detect Voltage	V _{OVP}	FB Floating		1.250		V
Line Regulation	ΔV _{OUT}	V _{CC} =10~40V		0.5	1	%
Load Regulation	ΔV _{OUT}	I _{OUT} =0~1A, R _{SENSE} =140mΩ		10		mV
Quiescent Current	I _{CCQ}	V _{FB} >1.2V		3	7	mA
Oscillator Frequency	F _{OSC}		80	100	120	KHz
Max. Duty Cycle (ON)	DC	Force Driver On V _{FB} =0.7V		100		%
Min. Duty Cycle (OFF)		Force Driver Off V _{FB} =1.2V		0		%
Internal MOSFET R _{DS(ON)}	R _{DS(ON)}	V _{CC} =12V, V _{FB} = 0.7V		110	170	mΩ
Sense Voltage	V _{SENSE}	V _{SENSE1} -V _{SENSE2}		150		mV
Sense Voltage Hysteresis	V _{SENSE-h}			45		mV
EN/CT Pin Logic Input Threshold Voltage	V _{EN}	Shutdown Mode			0.3	V
	V _{CT}	Auto Restart, V _{FB} <0.4V	0.5		1.5	V
EN/CT Pin Current	I _{EN/CT-C}	Charge Current		-32		μA
EN/CT Pin Current	I _{EN/CT-D}	Discharge Current		1.5		μA
Thermal Shutdown Temp	T _{SD}			160		°C
Thermal Shutdown Hysteresis	T _{SH}			40		°C

■ TYPICAL APPLICATION CIRCUIT

AL CAPACITOR



UTC assumes no responsibility for equipment failures that result from using products at values that exceed, even momentarily, rated values (such as maximum ratings, operating condition ranges, or other parameters) listed in products specifications of any and all UTC products described or contained herein. UTC products are not designed for use in life support appliances, devices or systems where malfunction of these products can be reasonably expected to result in personal injury. Reproduction in whole or in part is prohibited without the prior written consent of the copyright owner. The information presented in this document does not form part of any quotation or contract, is believed to be accurate and reliable and may be changed without notice.