



M293010

Preliminary

LINEAR INTEGRATED CIRCUIT

1A, LOW-DROPOUT, 1.0~16V REGULATOR

DESCRIPTION

The UTC **M293010** is 1A low dropout linear voltage regulators that provide low voltage and high-current output. Designed especially for the high-current requirements in industrial and consumer applications; embedded core, memory, or logic supplies; TVs, VCRs, and office equipment.

The UTC **M293010** is an efficient voltage regulator with very low dropout voltage and very low ground current. This device delivers a regulated output at up to 1A. Included overcurrent and thermal protection improve overall system reliability. Devices with fixed output voltages are also available.

A inside bandgap reference provides accuracy and excellent temperature characteristics for regulator. IQ does not increase significantly as the dropout voltage is approached, an ideal feature in standby/resume power systems where data integrity is crucial. A inside power pnp provides a dropout voltage of less than 600mV at 1A of current. An LS-TTL/CMOS-compatible input gives the designer complete control over power up, standby, or power down. Low output voltages eliminate the need for expensive PWM buck converters. The low dropout voltage permits more efficient regulation before output regulation is lost.

The UTC **M293010** provided a 5-lead TO-252 style surface-mount plastic package with ground tab to provide a low-resistance path for maximum heat dissipation.

FEATURES

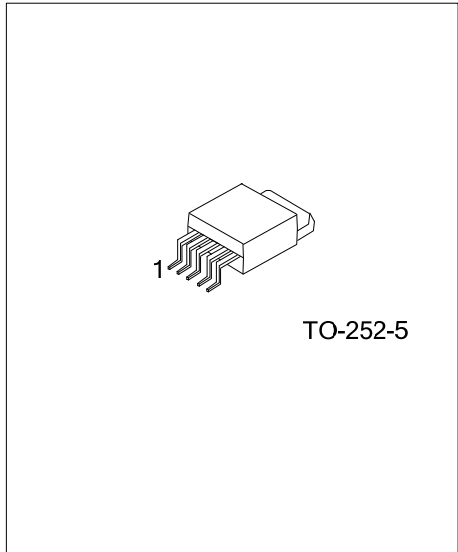
- * 1A output current
- * Dropout voltage 0.6V at I_{OUT}=1A
- * 1μA maximum standby current
- * Fast response
- * Accurate current limiting
- * Remote voltage sensing
- * Thermal protection
- * Over voltage protection
- * Ground tab for superior heat dissipation

ORDERING INFORMATION

Ordering Number		Package	Packing
Lead Free	Halogen Free		
M293010L-xx-TN5-T	M293010G-xx-TN5-T	TO-252-5	Tape Reel
M293010L-xx-TN5-R	M293010G-xx-TN5-R	TO-252-5	Tape Reel

Note: xx: Output Voltage, refer to Marking Information.

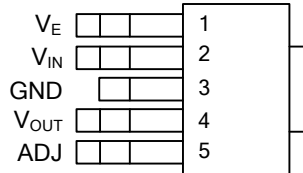
<p>M293010L-xx-TN5-T</p>	<p>(1) T: Tube, R: Tape Reel (2) TN5: TO-252-5 (3) xx: Refer to Marking Information (4) L: Lead Free, G: Halogen Free</p>
--------------------------	--



■ MARKING INFORMATION

PACKAGE	VOLTAGE CODE	MARKING
TO-252-5	AD: ADJ	<div style="display: flex; align-items: center;"> <div style="border: 1px solid black; padding: 5px; margin-right: 10px;"> UTC M293010 XX□□□□□□ </div> <div style="margin-left: 10px;"> L: Lead Free G: Halogen Free Lot Code Date Code </div> </div>

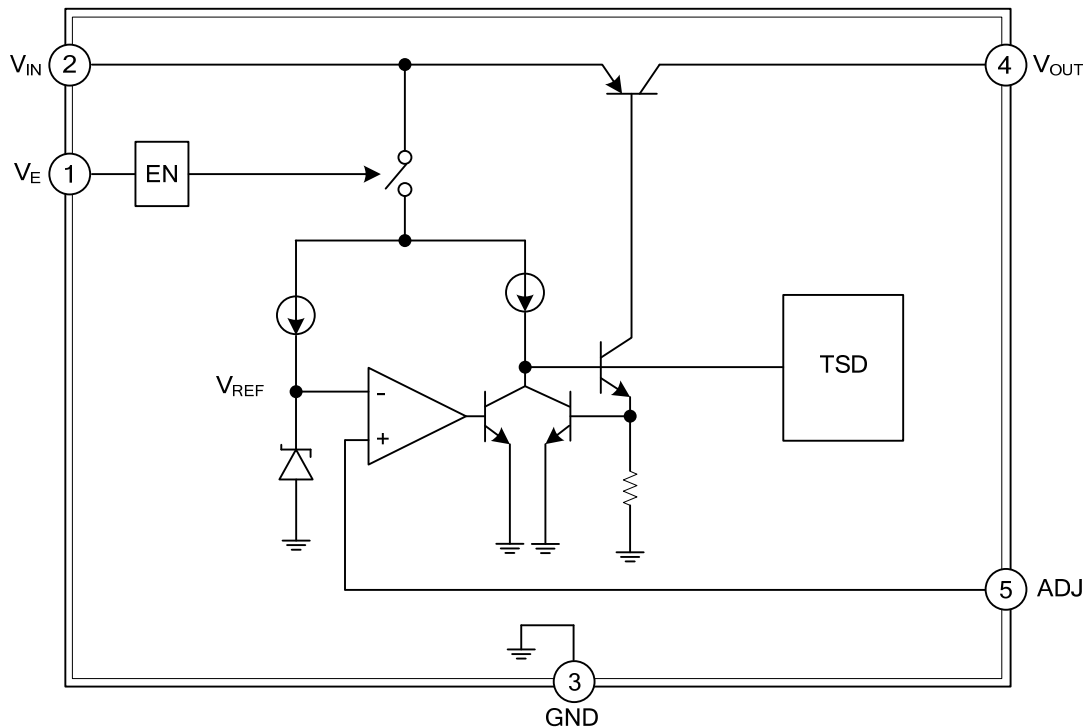
■ PIN CONFIGURATION



■ PIN DESCRIPTION

PIN NO.	PIN NAME	DESCRIPTION
1	V_E	Enable
2	V_{IN}	Input
3	GND	Ground
4	V_{OUT}	Output
5	ADJ	Adjustable

■ BLOCK DIAGRAM



■ ABSOLUTE MAXIMUM RATING

PARAMETER	SYMBOL	RATINGS	UNIT
Input Voltage	V_{IN}	35	V
Output Current (Note 2)	I_{OUT}	1	A
Enable Input Voltage	V_E	35	V
Junction Temperature	T_J	+125	°C
Storage Temperature	T_{STG}	-30~+125	°C

Notes: 1. Absolute maximum ratings are those values beyond which the device could be permanently damaged. Absolute maximum ratings are stress ratings only and functional device operation is not implied.

2. Output current rating is limited by input voltage, duty cycle, and ambient temperature. Under any set of conditions, do not exceed a junction temperature of +125°C.

■ RECOMMENDED OPERATING CONDITIONS

PARAMETER	SYMBOL	RATINGS	UNIT
Input Voltage	V_{IN}	2.4~27	V
Output Current	I_{OUT}	0~1	A
Adjustable Voltage Range		1.2~16	V
Operating Ambient Temperature	T_A	-30~+100	°C
Operating Junction Temperature	T_J	-20~+100	°C

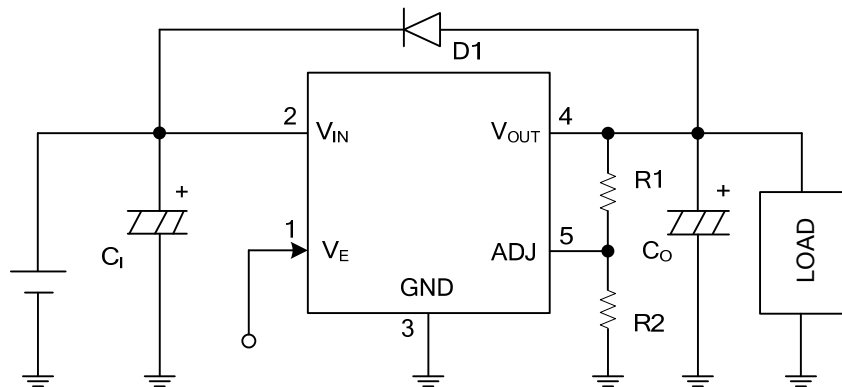
■ ELECTRICAL CHARACTERISTICS

($T_A=+25^\circ\text{C}$, $V_{IN}=7\text{V}$, $V_{OUT}=5\text{V}$ adjusted, $V_E=2\text{V}$, unless otherwise noted)

PARAMETER	SYMBOL	TEST CONDITIONS	MIN	TYP	MAX	UNIT
Output Voltage	V_{OUT}	$V_{IN}=V_{O(nom)}+1\text{V}$, $I_{OUT}=10\text{mA}$		$V_{OUT(nom)}$		V
	$V_{OUT(off)}$	$V_E=0\text{V}$			0.5	V
Temperature Coefficient of Output Voltage	$a_{V_{OUT}}$	$0^\circ\text{C}\leq T_J\leq 100^\circ\text{C}$		± 0.5		mV/°C
Reference Voltage	V_{REF}	$I_{OUT}=10\text{mA}$	0.98	1.00	1.02	V
Short Circuit Current	I_{OM}	Note 1	1.1			A
Overvoltage Protection	V_{IM}	$I_{OUT}=10\text{mA}$	33			V
Line Regulation	$\Delta V_{OUT(\Delta V_I)}$	$V_{IN}=6.0\text{V}\sim 15\text{V}$, $I_{OUT}=10\text{mA}$			30	mV
Load Regulation	$\Delta V_{OUT(\Delta I_O)}$	$I_{OUT}=0\text{A}\sim 1.0\text{A}$			75	mV
Dropout Voltage	$V_{INMIN}-V_{OUT}$	$I_{OUT}=0.5\text{A}$			0.3	V
		$I_{OUT}=1.0\text{A}$			0.6	V
Ground Current	I_{GND}	$I_{OUT}=0\text{mA}$, $V_E=2.0\text{V}$		1.2		mA
		$V_E=0\text{V}$		0.1		mA
Control Input Voltage	V_{EH}	Output ON	2.0			V
	V_{EL}	Output OFF			0.8	V
Control Input Current	I_{EH}	$V_E=2.0\text{V}$			40	μA
	I_{EL}	$V_E=0\text{V}$		0	-5.0	μA
Ripple Rejection Ratio	PSRR	$100\text{Hz}\leq f\leq 120\text{Hz}$, $I_{OUT}=100\text{mA}$		75		dB
Over Temperature	T_J	$I_{OUT}=10\text{mA}$		150		°C

Note: 1. Output short-circuit current is at point where output voltage has decreased 5% below $V_{OUT(nom)}$.

■ TYPICAL APPLICATION CIRCUIT



UTC assumes no responsibility for equipment failures that result from using products at values that exceed, even momentarily, rated values (such as maximum ratings, operating condition ranges, or other parameters) listed in products specifications of any and all UTC products described or contained herein. UTC products are not designed for use in life support appliances, devices or systems where malfunction of these products can be reasonably expected to result in personal injury. Reproduction in whole or in part is prohibited without the prior written consent of the copyright owner. The information presented in this document does not form part of any quotation or contract, is believed to be accurate and reliable and may be changed without notice.