



## LM2954

## LINEAR INTEGRATED CIRCUIT

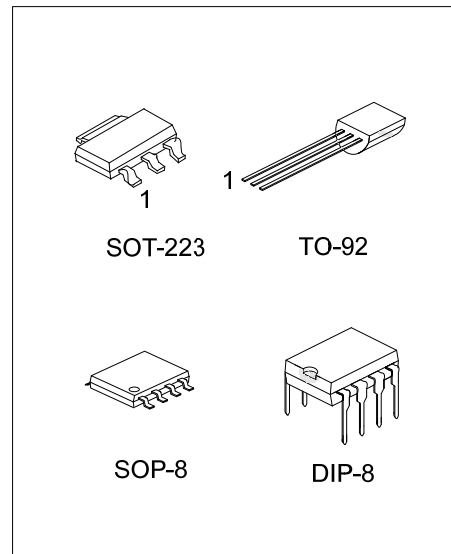
### 300mA LOW-DROPOUT VOLTAGE REGULATOR

#### DESCRIPTION

The UTC **LM2954** is a monolithic integrated voltage regulator with low dropout voltage, and low quiescent current. It includes many features that suitable for different applications with TO-92, DIP-8, SOP-8 and SOT-223 packages.

#### FEATURES

- \*High Accuracy Fixed Output.
- \*Output Voltage Programmable and Logic Controlled Shutdown And Error Flag Available for DIP and SOP Package.
- \*Extremely Low Quiescent Current And Dropout Voltage.
- \*Extremely Tight Load And Line Regulation.
- \*Current and Thermal Limiting.
- \*Very low Temperature Coefficient.



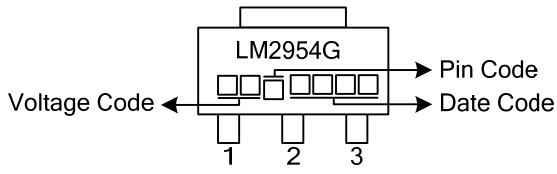
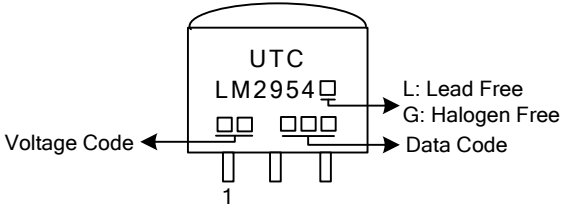
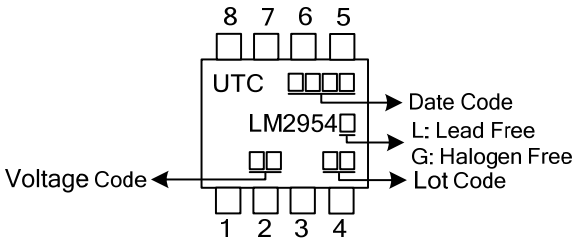
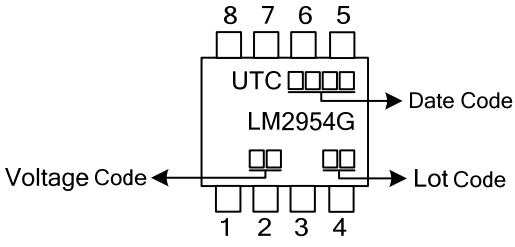
#### ORDERING INFORMATION

Ordering Number		Package	Pin assignment			Packing
Lead Free	Halogen Free		1	2	3	
-	LM2954G-xx-AA3-R	SOT-223	I	G	O	Tape Reel
-	LM2954G-xx-AA3-A-R	SOT-223	G	O	I	Tape Reel
LM2954L-xx-D08-T	LM2954G-xx-D08-T	DIP-8	refer to Pin Configurations			Tube
-	LM2954G-xx-S08-R	SOP-8	refer to Pin Configurations			Tape Reel
LM2954L-xx-T92-B	LM2954G-xx-T92-B	TO-92	O	G	I	Tape Box
LM2954L-xx-T92-K	LM2954G-xx-T92-K	TO-92	O	G	I	Bulk

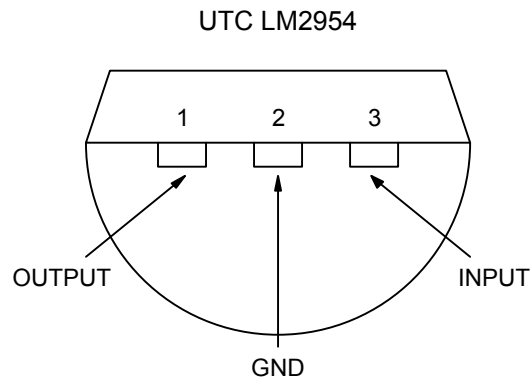
Note: Pin assignment: I:  $V_{IN}$  O:  $V_{OUT}$  G: GND

<p>LM2954G-xx-AA3-R</p>	<p>(1) B: Tape Box, K: Bulk, R: Tape Reel, T: Tube</p> <p>(2) AA3: SOT-223, D08: DIP-08, S08: SOP-8, T92: TO-92</p> <p>(3) xx: refet to MARKING INFORMATION</p> <p>(4) G: Halogen Free and Lead Free, L: Lead Free</p>
-------------------------	--

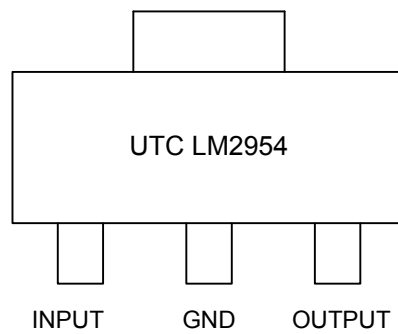
### MARKING INFORMATION

PACKAGE	VOLTAGE CODE	MARKING
SOT-223	33:3.3V 50:5.0V	
TO-92		
DIP-8	33:3.3V 50:5.0V AD: ADJ	
SOP-8		

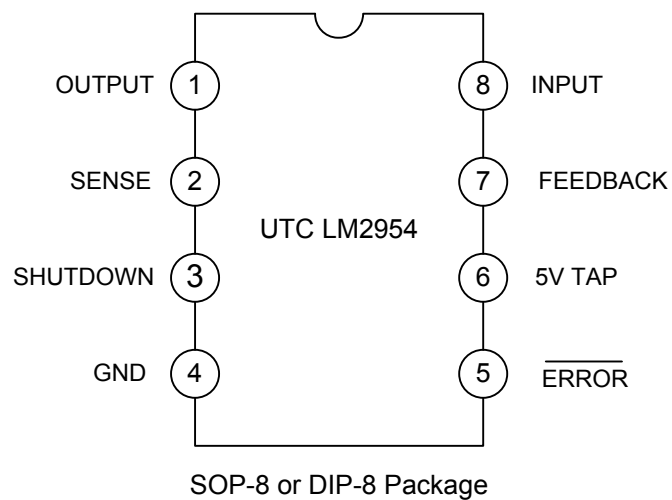
## ■ PIN CONFIGURATIONS



TO-92 Plastic Package Bottom View

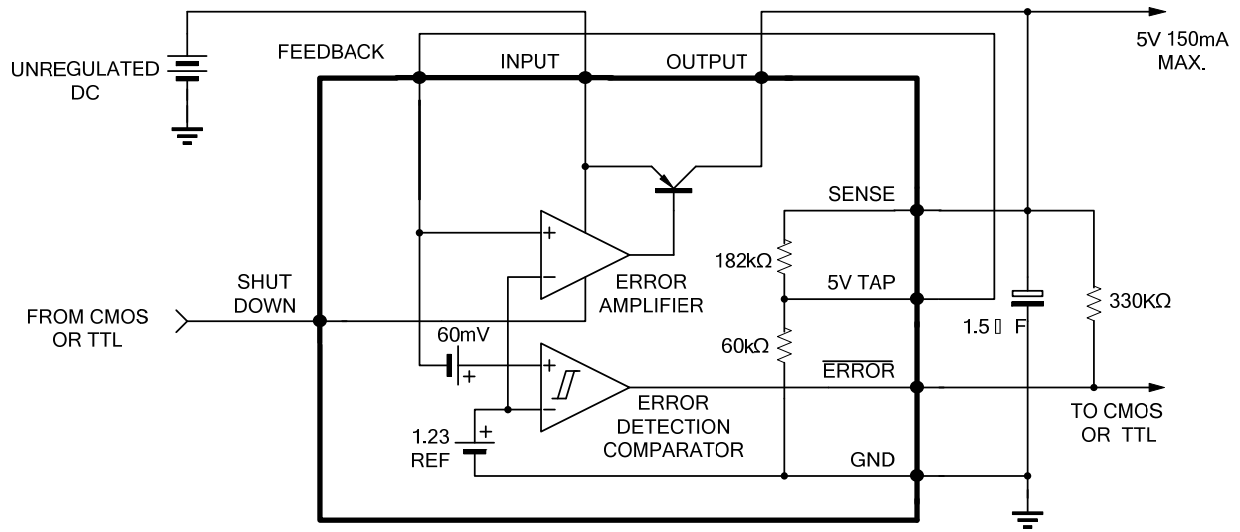


SOT-223 Package



SOP-8 or DIP-8 Package

## ■ BLOCK DIAGRAM



■ ABSOLUTE MAXIMUM RATINGS

PARAMETER	SYMBOL	VALUE	UNIT
Supply Voltage	$V_{CC}$	-0.3 ~ +30	V
Feedback Voltage	$V_{FB}$	-1.5 ~ +30	V
Shutdown Voltage	$V_{SHDN}$	-0.3 ~ +30	V
Comparator Output Voltage	$V_{OUT}$	-0.3 ~ +30	V
Junction Temperature	$T_J$	+125	°C
Operating Temperature	$T_{OPR}$	-40 ~ +85	°C
Storage temperature	$T_{STG}$	-40 ~ +150	°C

Note: 1. Absolute maximum ratings are those values beyond which the device which the device could be permanently damaged. Absolute maximum ratings are stress ratings only and functional device operation is not implied.

2. The device is guaranteed to meet performance specification within 0°C~+70°C operating temperature range and assured by design from -20°C~+85°C, characteristic and correlation with static process control.

■ ELECTRICAL CHARACTERISTICS ( $T_J=25^\circ\text{C}$ ,  $V_{IN}=6\text{V}$ ,  $I_L=100\mu\text{A}$ ,  $C_L=1\mu\text{F}$ , unless otherwise specified)

PARAMETER	SYMBOL	TEST CONDITIONS	MIN.	TYP.	MAX.	UNIT
Output Voltage	LM2954-3.3	$T_J=25^\circ\text{C}$	3.23	3.3	3.37	V
	LM2954-5.0		4.90	5.0	5.10	
Output Voltage Temperature Coefficient	$T_C V_O$		20		100	ppm/°C
Line Regulation	$\Delta V_{OUT}$	$6\text{V} \leq V_{IN} \leq 30\text{V}$		0.1	0.2	%
Load Regulation	$\Delta V_{OUT}$	$100\mu\text{A} \leq I_L \leq 300\text{mA}$		0.2	0.5	
Dropout Voltage	$V_D$	$I_L=100\text{mA}$			400	mV
		$I_L=200\text{mA}$ (note 2)	380	450	600	
Ground Current	IGND	$I_L=100\mu\text{A}$		0.12	0.23	mA
		$I_L=200\mu\text{A}$		12	14	
Dropout Ground Current	$I_D$	$V_{IN}=4.5\text{V}$ , $I_L=100\mu\text{A}$		560	650	$\mu\text{A}$
Current Limit	$I_{LIMIT}$	$V_{OUT}=0$	300			mA
Output Noise (10Hz to 100KHz)	$e_N$	$C_L=1\mu\text{F}$			430	$\mu\text{V}$
		$C_L=200\mu\text{F}$			160	
		$C_L=3.3\mu\text{F}$			100	

■ ELECTRICAL CHARACTERISTICS(Cont.)

**LM2954-ADJ FOR 8-PIN VERSION ONLY**

PARAMETER	SYMBOL	TEST CONDITIONS	MIN	TYP	MAX	UNIT
Reference Voltage	$V_{REF}$		1.22	1.235	1.25	V
Reference Voltage	$V_{REF}$	$V_{REF} \leq V_{OUT} \leq (V_{IN} - 1V)$ , $2.3V \leq V_{IN} \leq 18V$ , $100\mu A \leq I_L \leq 100mA$ , $T_J \leq T_{JMAX}$	1.19		1.27	V
Feedback Pin Bias Current	$I_{B(FB)}$			20	40	nA
Reference Voltage Temperature Coefficient	$T_C V_{REF}$			50		ppm/°C
Feedback Bias Current Temperature Coefficient	$T_{C I_O}$			0.1		nA/°C
<b>ERROR COMPARATOR</b>						
Output Leakage Current	$I_{O(LEAK)}$	$V_{OH} = 30V$			1	$\mu A$
Output Low Voltage	$V_{OL}$	$V_{IN} = 4.5V$ , $I_{OL} = 400\mu A$			250	mV
Upper Threshold Voltage	$V_{THD(UP)}$	(Note 3)	3.2			% $V_{OUT}$
Lower Threshold Voltage	$V_{THD(LOW)}$	(Note 3)			7.6	% $V_{OUT}$
Hysteresis	$V_{HYS}$	(Note 3)		15		mV
<b>SHUTDOWN INPUT</b>						
Input Logic Voltage	$V_{I(LOG)}$	Low (Regulator ON)		1.3	0.70	V
		High (Regulator OFF)	2.0			
Shutdown Pin Input Current	$I_{I(SHDN)}$	$V_{SHDN} = 2.4V$		30	50	$\mu A$
		$V_{SHDN} = 30V$		450	600	$\mu A$
Regulator Output Current Shutdown	$I_{O(SHDN)}$	$V_{SHDN} \geq 2V$ , $V_{IN} \leq 30V$ , $V_{OUT} = 0$ , Feedback pin tied to 5V Tap.		3	10	$\mu A$

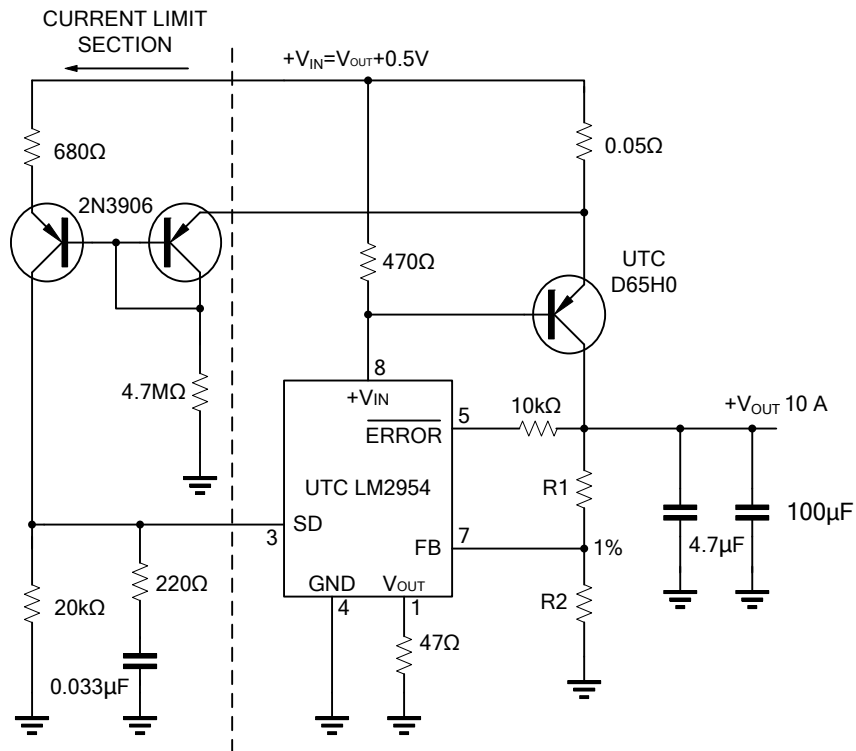
Note: 1. Additional conditions for 8-pin versions are feedback tied to 5V Tap and Output tied to Output Sense ( $V_{OUT} = 5V$ ) and  $V_{SHDN} \leq 0.8V$ .

2. Dropout voltage is defined as the input to output differential at which the output voltage drops 100mV below its nominal value measured at 1V differential.

3. Comparator thresholds are expressed in terms of percentage value of voltage output.

## APPLICATION CIRCUIT (10A Low Dropout Regulator)

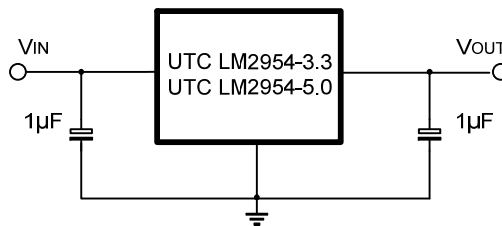
### For 8 Pins



$$V_{OUT} = 1.23V * (1 + R1/R2)$$

For 5V output use internal resistors. Wire pin 6 to 7 and wire pin 2 to +V<sub>OUT</sub>

### For 3 Pins



UTC assumes no responsibility for equipment failures that result from using products at values that exceed, even momentarily, rated values (such as maximum ratings, operating condition ranges, or other parameters) listed in products specifications of any and all UTC products described or contained herein. UTC products are not designed for use in life support appliances, devices or systems where malfunction of these products can be reasonably expected to result in personal injury. Reproduction in whole or in part is prohibited without the prior written consent of the copyright owner. The information presented in this document does not form part of any quotation or contract, is believed to be accurate and reliable and may be changed without notice.