

1A Adjustable Voltage High Speed LDO Regulators ME6118 Series

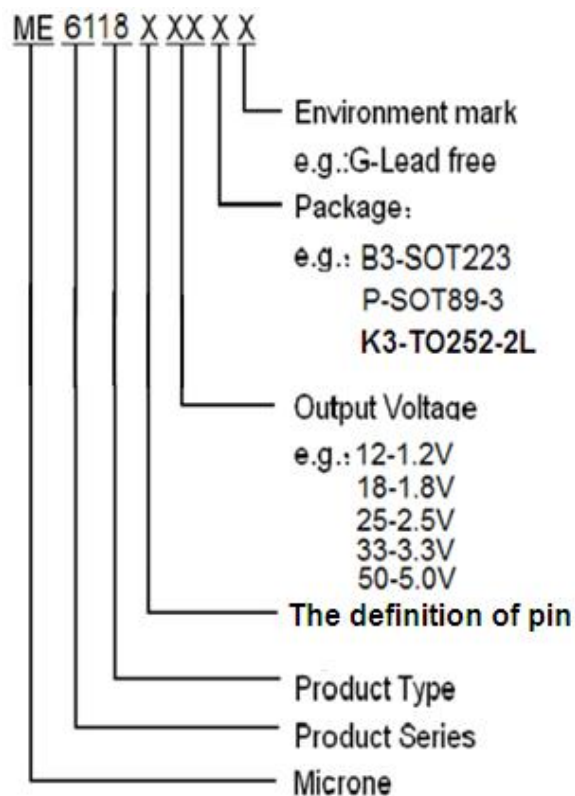
General Description

The ME6118 series are highly accurate, low noise, LDO Voltage Regulators that are capable of providing an output current that is in excess of 1A with a maximum dropout voltage of 1.3V at 1A (ME6118A33). This series contains four fixed output voltages of 1.2V, 1.8V, 2.5V and 3.3V that have no minimum load requirement to maintain regulation. On chip trimming adjusts the reference/output voltage to within $\pm 2\%$ accuracy. Internal protection features consist of output current limiting, safe operating area compensation, and thermal shutdown. The ME6118 series can operate with up to 18V input. Devices are available in SOT223.

Features

- Output Current in Excess of 1A
- Dropout Voltage: 80mV @ $I_{OUT} = 100mA$ (ME6118A33)
- Operating Voltage Range: 2.5V ~ 18V
- Highly Accuracy: $\pm 2\%$
- Adjustable Output Voltage Option
- Standby Current: 52uA (TYP.)
- High Ripple Rejection: 70dB @ 1KHz (ME6118A33)
- Line Regulation: 2mV (TYP.)
- Temperature Stability $\leq 0.5\%$
- Thermal Shutdown Protection: 160°C
- Packages: SOT223, SOT89-3, TO252-2L

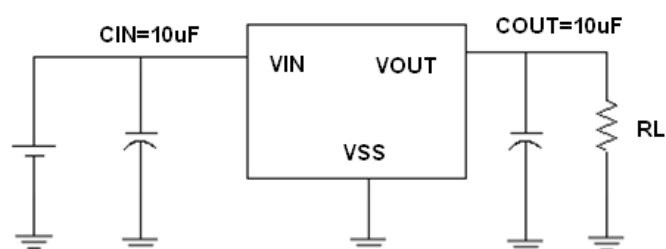
Selection Guide



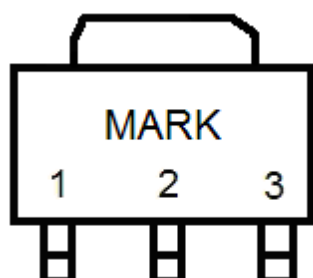
Typical Application

- Consumer and Industrial Equipment Point of Regulation
- Switching Power Supply Post Regulation
- Hard Drive Controllers
- Battery Chargers

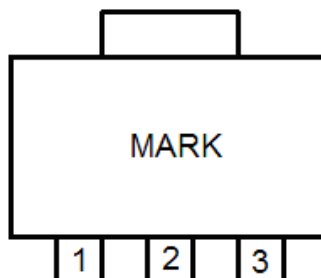
Typical Application Circuit



Pin Configuration



SOT223



SOT89-3



TO252-2L

Pin Assignment

ME6118AXX

Pin Number			Pin Name	Functions
SOT223	SOT89-3	TO252-2L		
1	1	1	GND	Ground
2	3	2	V _{OUT}	Output
3	2	3	V _{IN}	Power Input

ME6118EXX

Pin Number		Pin Name	Functions
SOT223	TO252-2L		
1	1	GND	Ground
2	2	V _{IN}	Power Input
3	3	V _{OUT}	Output

ME6118HXX

Pin Number		Pin Name	Functions
SOT223	TO252-2L		
1	1	V _{OUT}	Output
2	2	GND	Ground
3	3	V _{IN}	Power Input

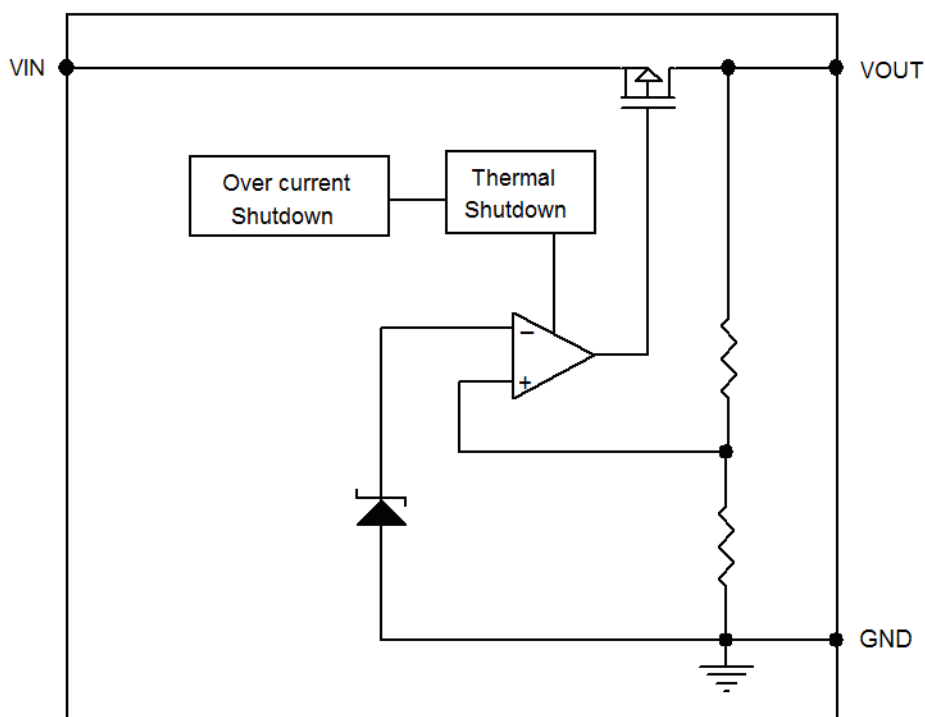
ME6118LXX

Pin Number		Pin Name	Functions
SOT223	TO252-2L		
1	1	V _{IN}	Power Input
2	2	GND	Ground
3	3	V _{OUT}	Output

Absolute Maximum Ratings

Parameter	Symbol	Ratings	Units
Input Voltage	V_{IN}	18	V
Output Current	I_{OUT}	1.1	A
Output Voltage	V_{OUT}	$V_{SS}-0.3 \sim V_{IN} + 0.3$	V
Power Dissipation	SOT223	P_D	mW
	SOT89-3		
	TO252-2L		
Operating Temperature Range	T_{OPR}	$-40 \sim +125$	$^{\circ}C$
Storage Temperature Range	T_{STG}	$-40 \sim +150$	$^{\circ}C$
Lead Temperature		$260^{\circ}C, 4sec$	

Block Diagram



Electrical Characteristics

ME6118A12/E12/H12/L12

($V_{IN} = V_{OUT} + 1.3V$, $C_{IN} = C_L = 10\mu F$, $T_a = 25^\circ C$, unless otherwise noted)

Parameter	Symbol	Conditions	Min.	Typ.	Max.	Units
Output Voltage	$V_{OUT}(E)$ (Note 2)	$I_{OUT} = 10mA$, $V_{IN} = V_{OUT} + 1.3V$	X 0.98	$V_{OUT}(T)$ (Note 1)	X 1.02	V
Maximum Output Current	I_{OUTMAX}	$V_{IN} = V_{OUT} + 1.3V$		800		mA
Load Regulation	ΔV_{OUT}	$V_{IN} = V_{OUT} + 1.3V$, $1mA \leq I_{OUT} \leq 800mA$		3		mV
Dropout Voltage (Note 3)	V_{DIF1}	$I_{OUT} = 100mA$		195		mV
	V_{DIF2}	$I_{OUT} = 400mA$		665		mV
	V_{DIF3}	$I_{OUT} = 800mA$		1250		mV
	V_{DIF4}	$I_{OUT} = 1000mA$		1600		mV
Quiescent Current	I_{SS}	$V_{IN} = V_{OUT} + 1.3V$		53		μA
Line Regulation	ΔV_{OUT}	$I_{OUT} = 0mA$ $V_{OUT} + 1.3V \leq V_{IN} \leq 18V$		2		mV
Thermal Shutdown Protection	T_{SD}	$I_{OUT} = 10mA$, $V_{IN} = V_{OUT} + 1.3V$		155		$^\circ C$
Over Current Protection	I_{LIMIT}	$V_{IN} = 3V$		1.1		A

ME6118A18/E18/H18/L18

($V_{IN} = V_{OUT} + 1.2V$, $C_{IN} = C_L = 10\mu F$, $T_a = 25^\circ C$, unless otherwise noted)

Parameter	Symbol	Conditions	Min.	Typ.	Max.	Units
Output Voltage	$V_{OUT}(E)$ (Note 2)	$I_{OUT} = 10mA$ $V_{IN} = V_{OUT} + 1.2V$	X 0.98	$V_{OUT}(T)$ (Note 1)	X 1.02	V
Maximum Output Current	I_{OUTMAX}	$V_{IN} = V_{OUT} + 1.2V$		800		mA
Load Regulation	ΔV_{OUT}	$V_{IN} = V_{OUT} + 1.2V$, $1mA \leq I_{OUT} \leq 800mA$		5		mV
Dropout Voltage (Note 3)	V_{DIF1}	$I_{OUT} = 100mA$		115		mV
	V_{DIF2}	$I_{OUT} = 400mA$		450		mV
	V_{DIF3}	$I_{OUT} = 800mA$		940		mV
	V_{DIF4}	$I_{OUT} = 1000mA$		1600		mV
Quiescent Current	I_{SS}	$V_{IN} = V_{OUT} + 1.2V$		52		μA
Line Regulation	ΔV_{OUT}	$I_{OUT} = 0mA$ $V_{OUT} + 1.2V \leq V_{IN} \leq 18V$		2		mV
Thermal Shutdown Protection	T_{SD}	$I_{OUT} = 10mA$ $V_{IN} = V_{OUT} + 1.2V$		160		$^\circ C$

Over Current Protection	I_{limit}	$V_{IN}=3.5V$		1.1		A
-------------------------	-------------	---------------	--	-----	--	---

ME6118A25/E25/H25/L25

($V_{IN}=V_{OUT}+1.2V$, $C_{IN}=C_L=10\mu F$, $T_a=25^{\circ}C$, unless otherwise noted)

Parameter	Symbol	Conditions	Min.	Typ.	Max.	Units
Output Voltage	$V_{OUT(E)}$ (Note 2)	$I_{OUT}=10mA$, $V_{IN}=V_{OUT}+1.2V$	X 0.98	$V_{OUT(T)}$ (Note 1)	X 1.02	V
Maximum Output Current	I_{OUTMAX}	$V_{IN}=V_{OUT}+1.2V$		800		mA
Load Regulation	ΔV_{OUT}	$V_{IN}=V_{OUT}+1.2V$, $1mA \leq I_{OUT} \leq 800mA$		5		mV
Dropout Voltage (Note 3)	V_{DIF1}	$I_{OUT}=100mA$		90		mV
	V_{DIF2}	$I_{OUT}=500mA$		450		mV
	V_{DIF3}	$I_{OUT}=800mA$		790		mV
	V_{DIF4}	$I_{OUT}=1000mA$		1300		mV
Quiescent Current	I_{ss}	$V_{IN}=V_{OUT}+1.2V$		53		μA
Line Regulation	ΔV_{OUT}	$I_{OUT}=0mA$ $V_{OUT}+1.2V \leq V_{IN} \leq 18V$		2		mV
Thermal Shutdown Protection	T_{sd}	$I_{OUT}=10mA$, $V_{IN}=V_{OUT}+1.2V$		160		$^{\circ}C$
Over Current Protection	I_{limit}	$V_{IN}=4.0V$		1.1		A

ME6118A33/E33/H33/L33

($V_{IN}=V_{OUT}+1.2V$, $C_{IN}=C_L=10\mu F$, $T_a=25^{\circ}C$, unless otherwise noted)

Parameter	Symbol	Conditions	Min.	Typ.	Max.	Units
Output Voltage	$V_{OUT(E)}$ (Note 2)	$I_{OUT}=10mA$, $V_{IN}=V_{OUT}+1.2V$	X 0.98	$V_{OUT(T)}$ (Note 1)	X 1.02	V
Maximum Output Current	I_{OUTMAX}	$V_{IN}=V_{OUT}+1.2V$		800		mA
Load Regulation	ΔV_{OUT}	$V_{IN}=V_{OUT}+1.2V$, $1mA \leq I_{OUT} \leq 800mA$		7		mV
Dropout Voltage (Note 3)	V_{DIF1}	$I_{OUT}=100mA$		80		mV
	V_{DIF2}	$I_{OUT}=500mA$		400		mV
	V_{DIF3}	$I_{OUT}=800mA$		680		mV
	V_{DIF4}	$I_{OUT}=1000mA$		1300		mV
Quiescent Current	I_{ss}	$V_{IN}=V_{OUT}+1.2V$		53		μA
Line Regulation	ΔV_{OUT}	$I_{OUT}=0mA$ $V_{OUT}+1.2V \leq V_{IN} \leq 18V$		2		mV

Thermal Shutdown Protection	T_{sd}	$I_{OUT}=10mA,$ $V_{IN}=V_{OUT}+1.2V$		160		$^{\circ}C$
Over Current Protection	I_{limit}	$V_{IN}=5.0V$		1.1		A

ME6118A50/E50/H50/L50

($V_{IN}=V_{OUT}+1.2V$, $C_{IN}=C_L=10\mu F$, $T_a=25^{\circ}C$, unless otherwise noted)

Parameter	Symbol	Conditions	Min.	Typ.	Max.	Units
Output Voltage	$V_{OUT}(E)$ (Note 2)	$I_{OUT}=10mA,$ $V_{IN}=V_{OUT}+1.2V$	X 0.98	$V_{OUT}(T)$ (Note 1)	X 1.02	V
Maximum Output Current	I_{OUTMAX}	$V_{IN}=V_{OUT}+1.2V$		800		mA
Load Regulation	ΔV_{OUT}	$V_{IN}=V_{OUT}+1.2V,$ $1mA \leq I_{OUT} \leq 800mA$		8		mV
Dropout Voltage (Note 3)	V_{DIF1}	$I_{OUT}=100mA$		60		mV
	V_{DIF2}	$I_{OUT}=500mA$		300		mV
	V_{DIF3}	$I_{OUT}=800mA$		500		mV
	V_{DIF4}	$I_{OUT}=1000mA$		900		mV
Quiescent Current	I_{ss}	$V_{IN}=V_{OUT}+1.2V$		53		μA
Line Regulation	ΔV_{OUT}	$I_{OUT}=0mA$ $V_{OUT}+1.2V \leq V_{IN} \leq 18V$		2		mV
Thermal Shutdown Protection	T_{sd}	$I_{OUT}=10mA,$ $V_{IN}=V_{OUT}+1.2V$		160		$^{\circ}C$
Over Current Protection	I_{limit}	$V_{IN}=6.5V$		1.1		A

Note :

1. $V_{OUT}(T)$: Specified Output Voltage

2. $V_{OUT}(E)$: Effective Output Voltage (ie. The output voltage when " $V_{OUT}(T)+1.2V$ " is provided at the V_{in} pin while maintaining a certain I_{out} value.)

3. V_{DIF} : $V_{IN1}-V_{OUT}(E)'$

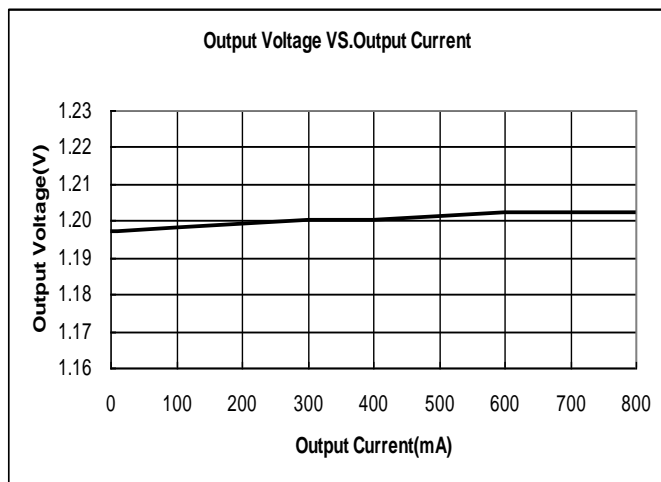
V_{IN1} : The input voltage when $V_{OUT}(E)'$ appears as input voltage is gradually decreased.

$V_{OUT}(E)'$ = A voltage equal to 98% of the output voltage whenever an amply stabilized I_{out} and $\{V_{OUT}(T)+1.2V\}$ is input.

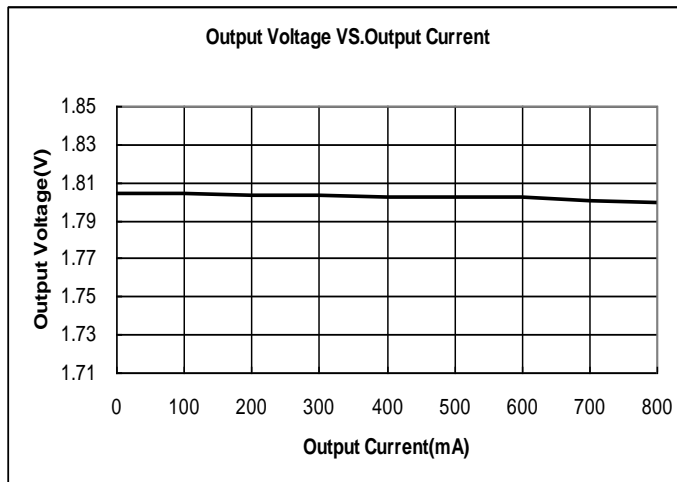
Type Characteristics

(1) Output Voltage VS. Output Current

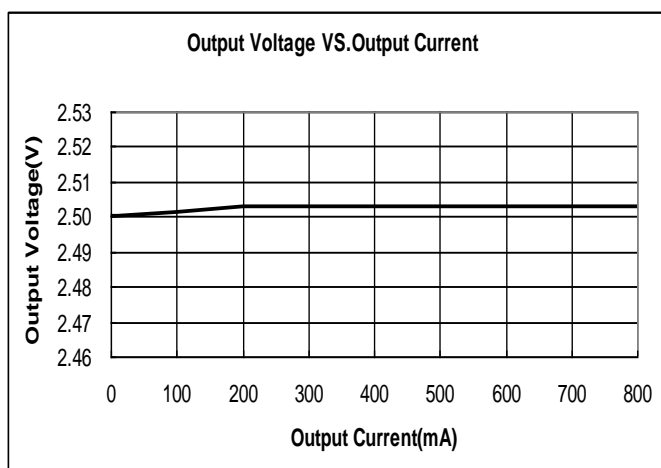
ME6118A12 ($V_{IN}=V_{OUT}+1.3V$)



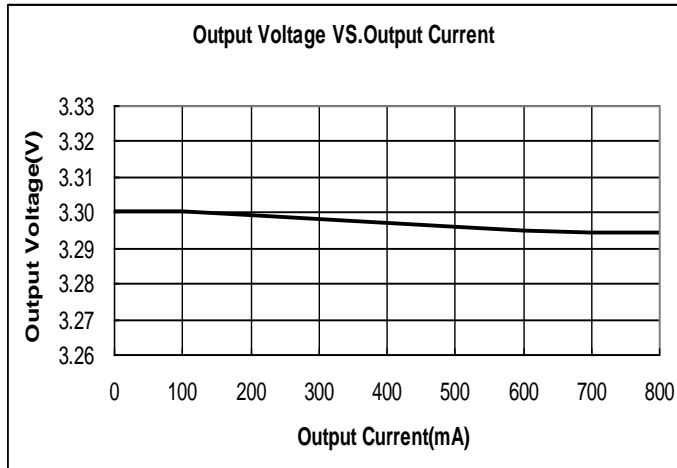
ME6118A18 ($V_{IN}=V_{OUT}+1.2V$)



ME6118A25 ($V_{IN}=V_{OUT}+1.2V$)

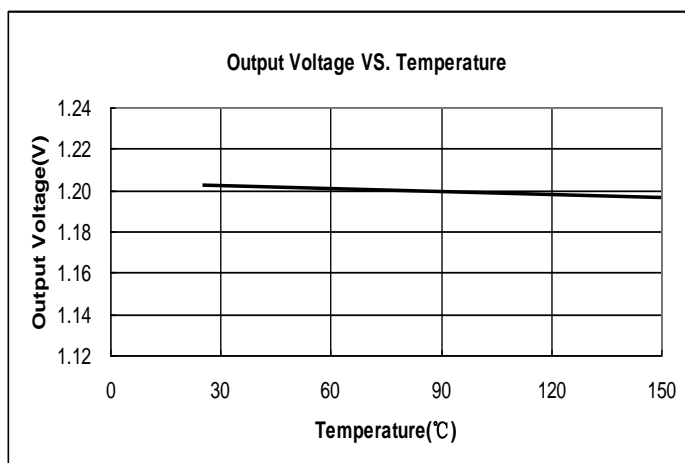


ME6118A33 ($V_{IN}=V_{OUT}+1.2V$)

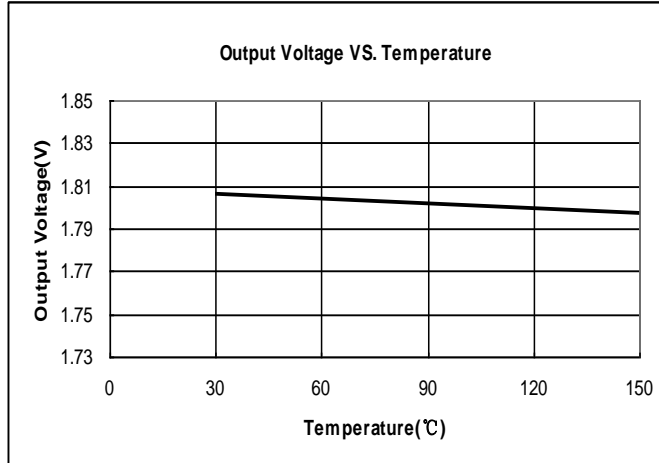


(2) Output Voltage VS. Temperature

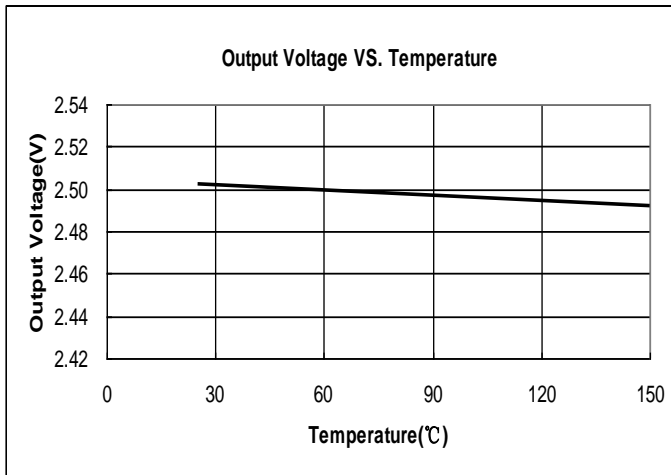
ME6118A12 ($V_{IN}=V_{OUT}+1.3V$, $I_{OUT}=10mA$)



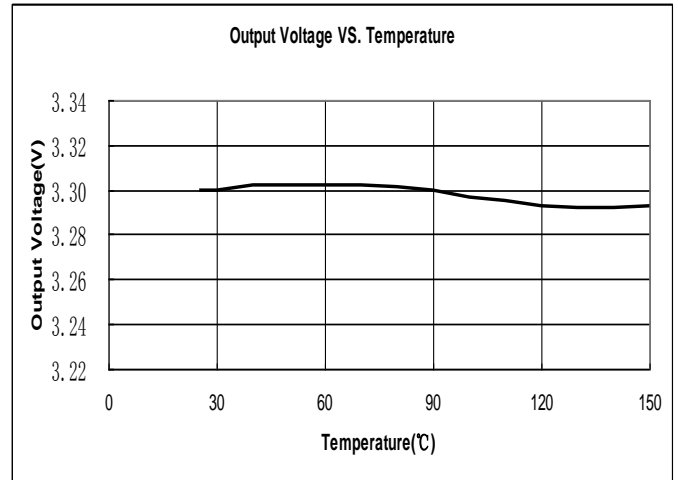
ME6118A18 ($V_{IN}=V_{OUT}+1.2V$, $I_{OUT}=10mA$)



ME6118A25 (VIN=V_{OUT}+1.2V, I_{OUT}=10mA)

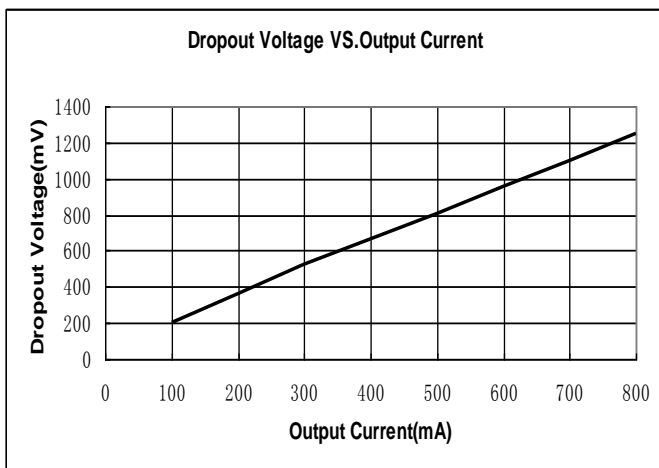


ME6118A33 (VIN=V_{OUT}+1.2V, I_{OUT}=10mA)

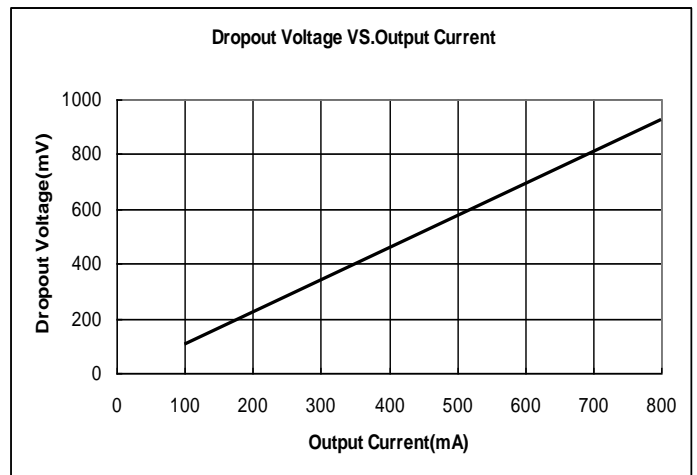


(3) Dropout Voltage VS. Output Current (Ta = 25 °C)

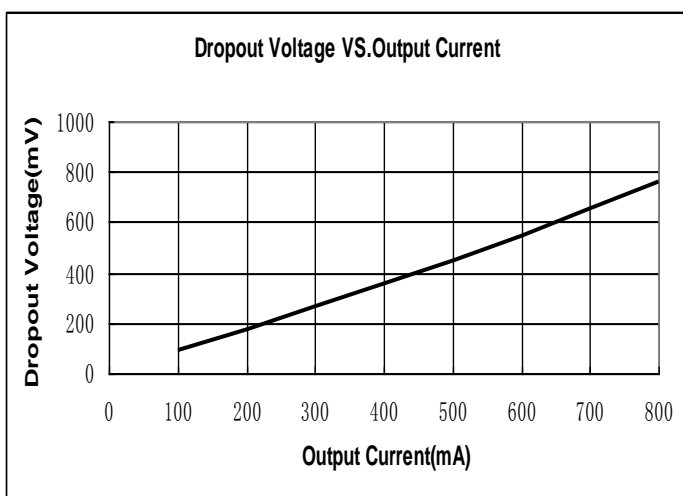
ME6118A12



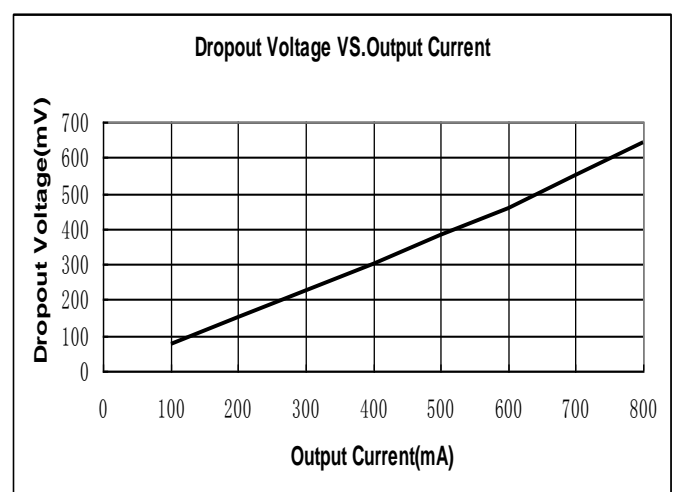
ME6118A18



ME6118A25

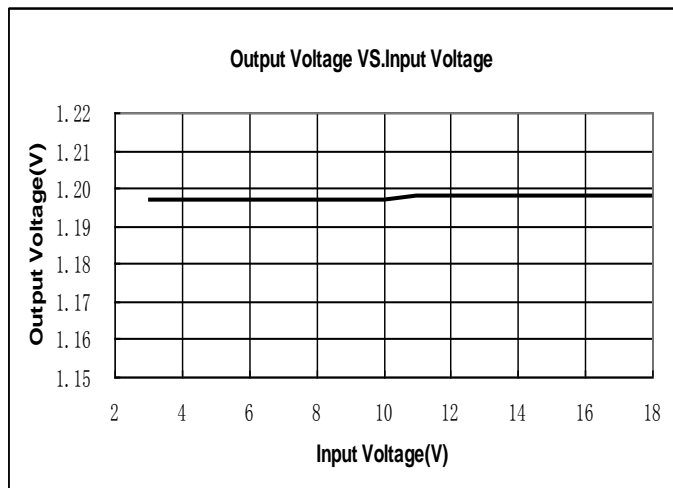


ME6118A33

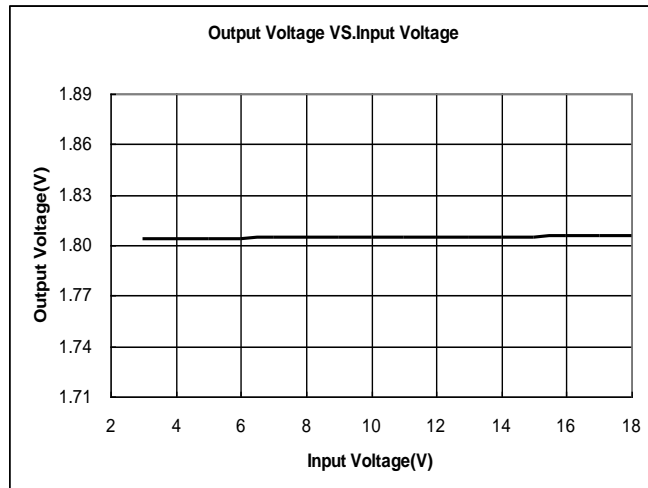


(4) Output Voltage VS. Input Voltage (Ta = 25 °C)

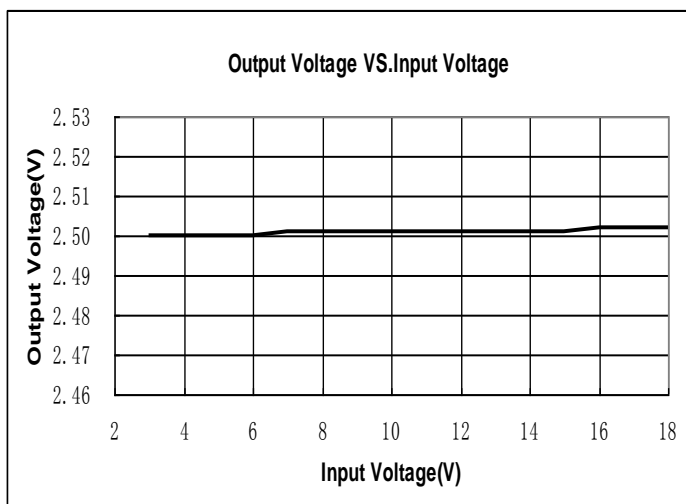
ME6118A12



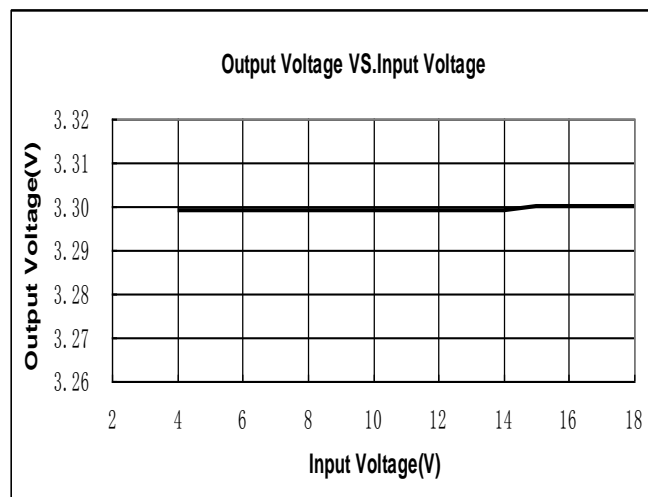
ME6118A18



ME6118A25

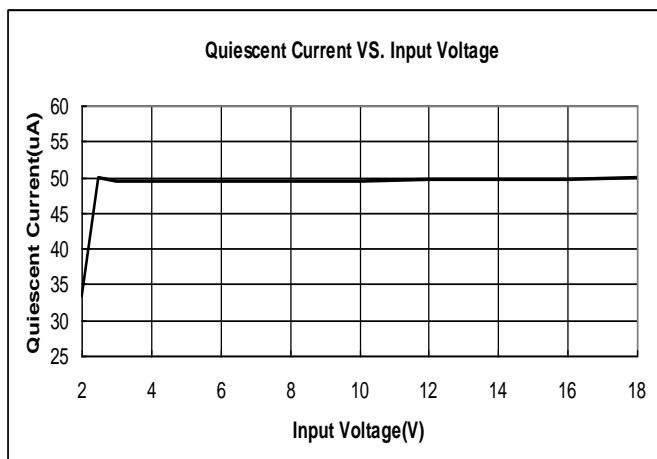


ME6118A33

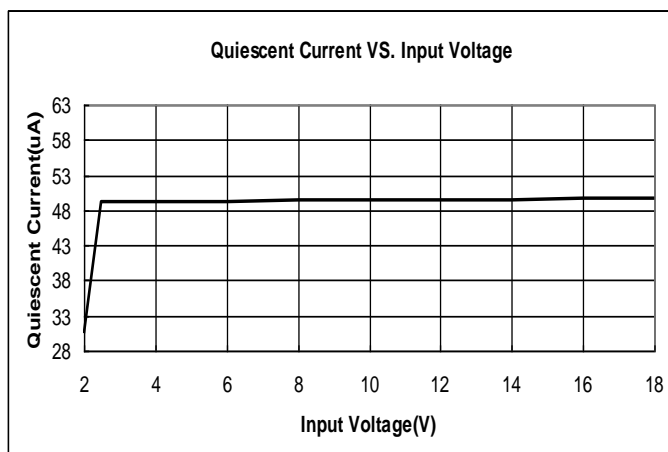


(5) Quiescent Current VS. Input Voltage

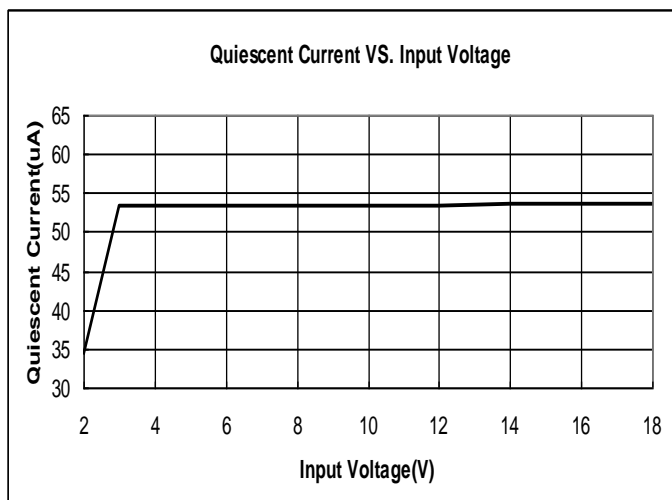
ME6118A12



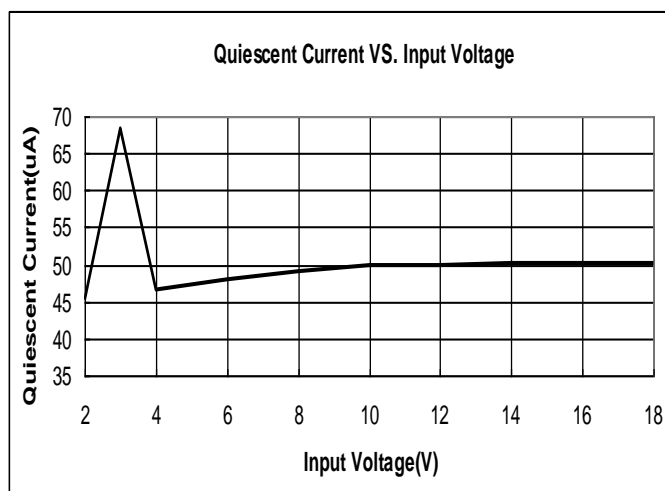
ME6118A18



ME6118A25



ME6118A33



Applications Information

1. Input Bypass Capacitor

An input capacitor is recommended. A 10uF tantalum on the input is a suitable input bypassing for almost all applications.

2. Output Capacitor

The output capacitor is critical in maintaining regulator stability, and must meet the required conditions for both minimum amount of capacitance and ESR (Equivalent Series Resistance). The minimum output capacitance required by the ME6118 is 10μF, if a tantalum capacitor is used. Any increase of the output capacitance will merely improve the loop stability and transient response. The ESR of the output capacitor should be less than 0.5Ω.

3. Load Regulation

The ME6118 regulates the voltage that appears between its output and ground pins, or between its output and adjust pins. In some cases, line resistances can introduce errors to the voltage across the load. To obtain the best load regulation, a few precautions are needed. Figure1, shows a typical application using a fixed output regulator. The Rt1 and Rt2 are the line resistances. It is obvious that the V_{LOAD} is less than the V_{OUT} by the sum of the voltage drops along the line resistances. In this case, the load regulation seen at the R_{LOAD} would be degraded from the datasheet specification. To improve this, the load should be tied directly to the output terminal on the positive side and directly tied to the ground terminal on the negative side.

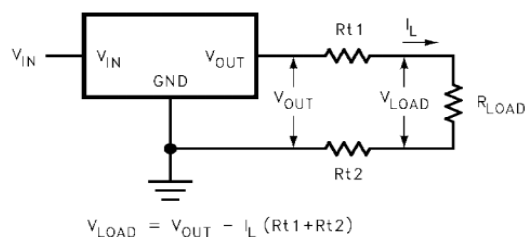
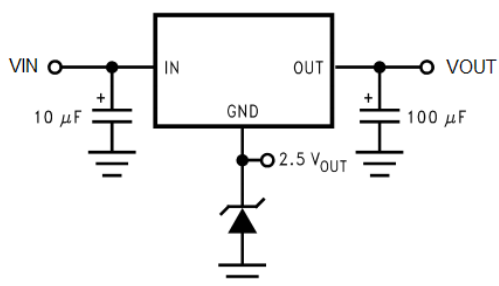


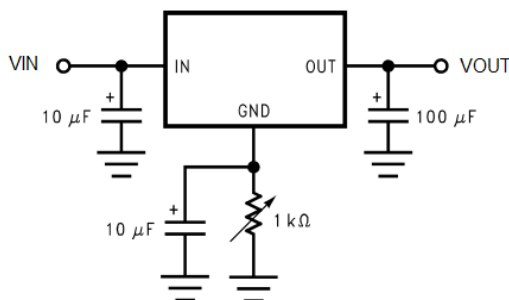
FIGURE 1. Typical Application using Fixed Output Regulator

Application Circuit

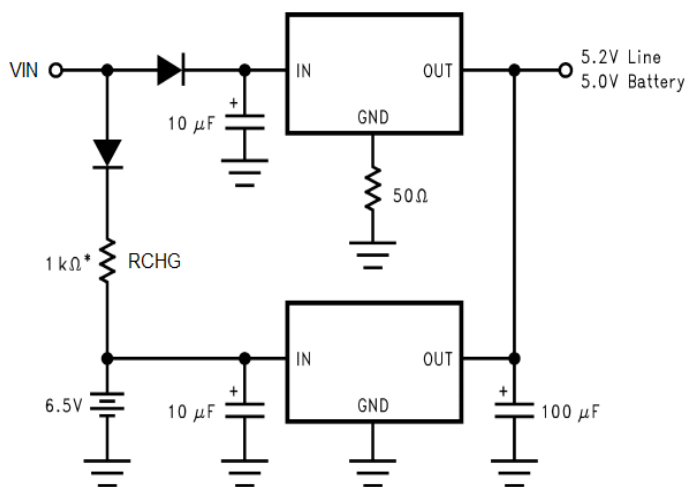
(1) Regulator with Reference



(2) Adjusting Output of Fixed Voltage Regulators

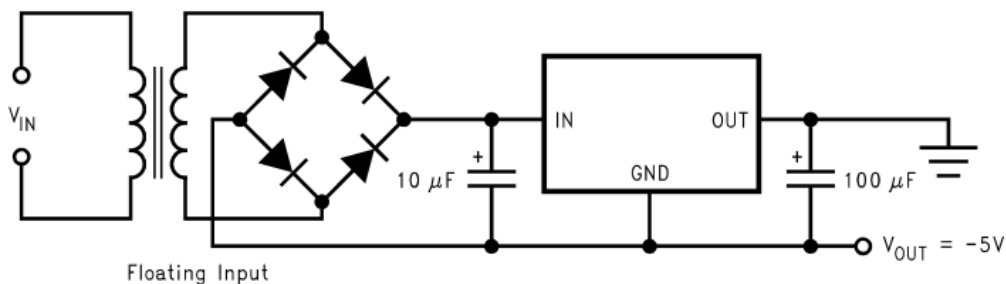


(3) Battery Backed-Up Power Supply



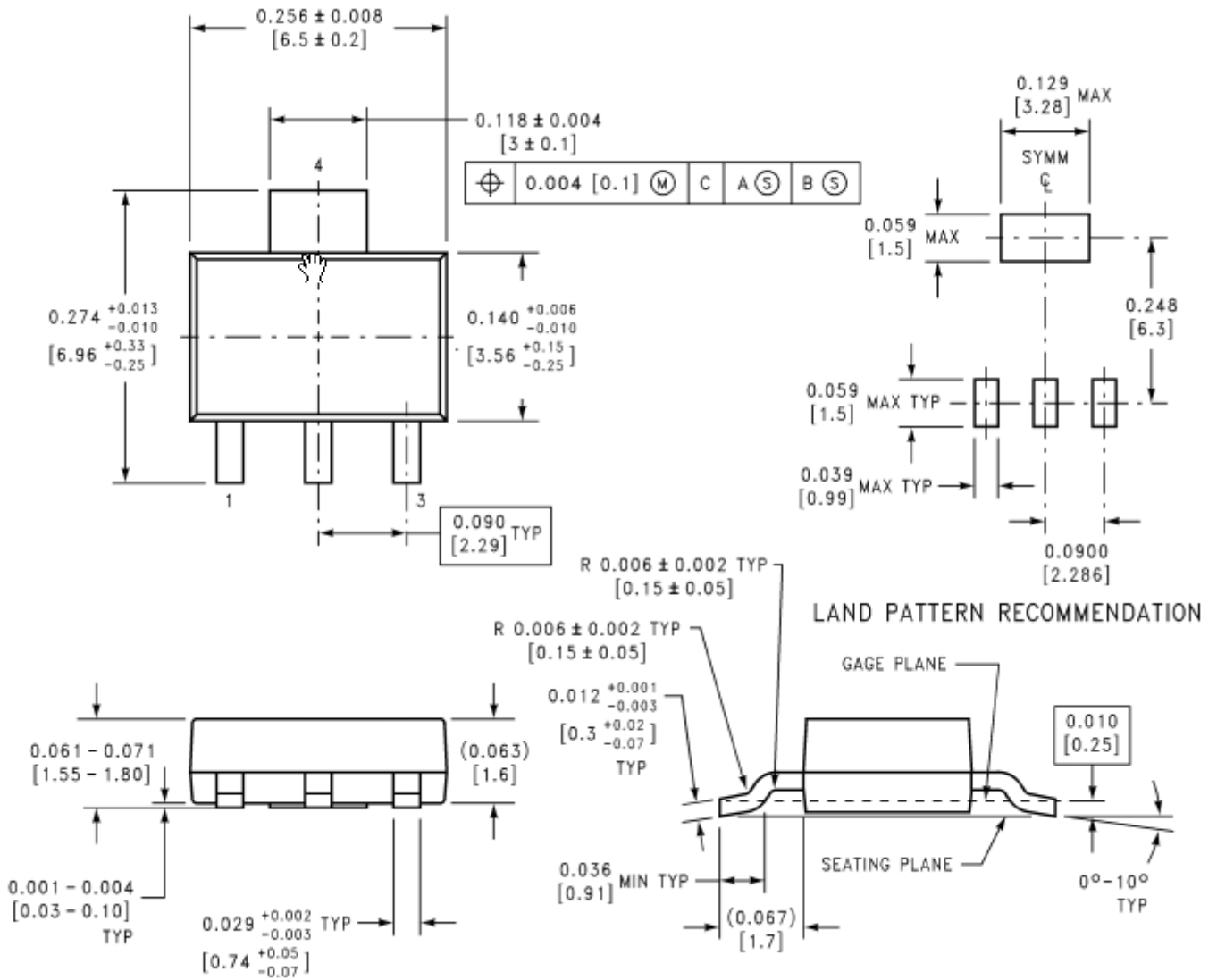
* Select for charge rate.

(4) Low Dropout Negative Supply

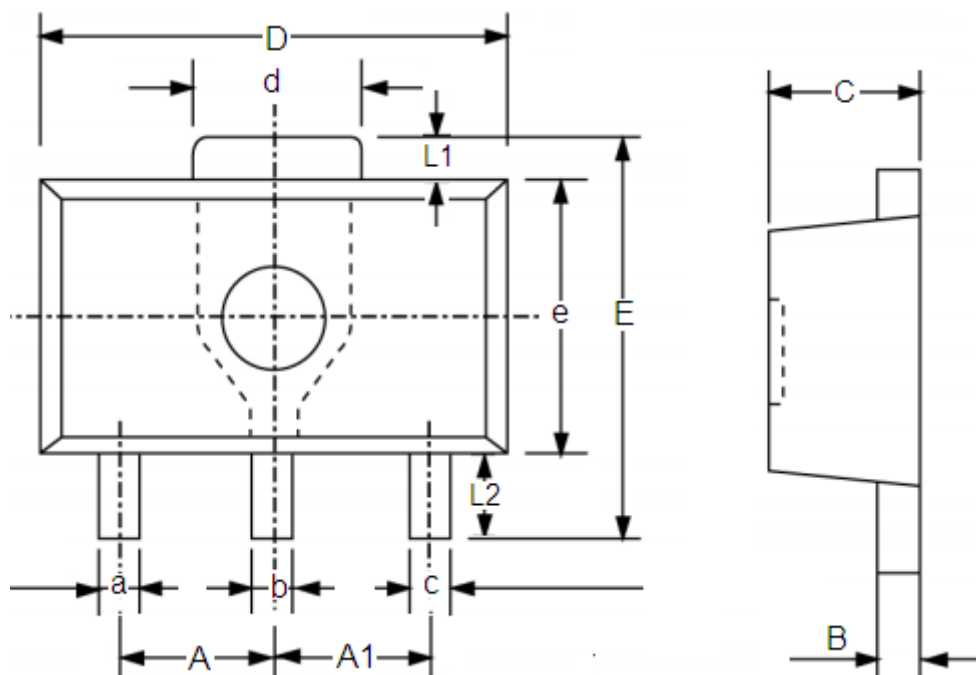


Packaging Information

● SOT223

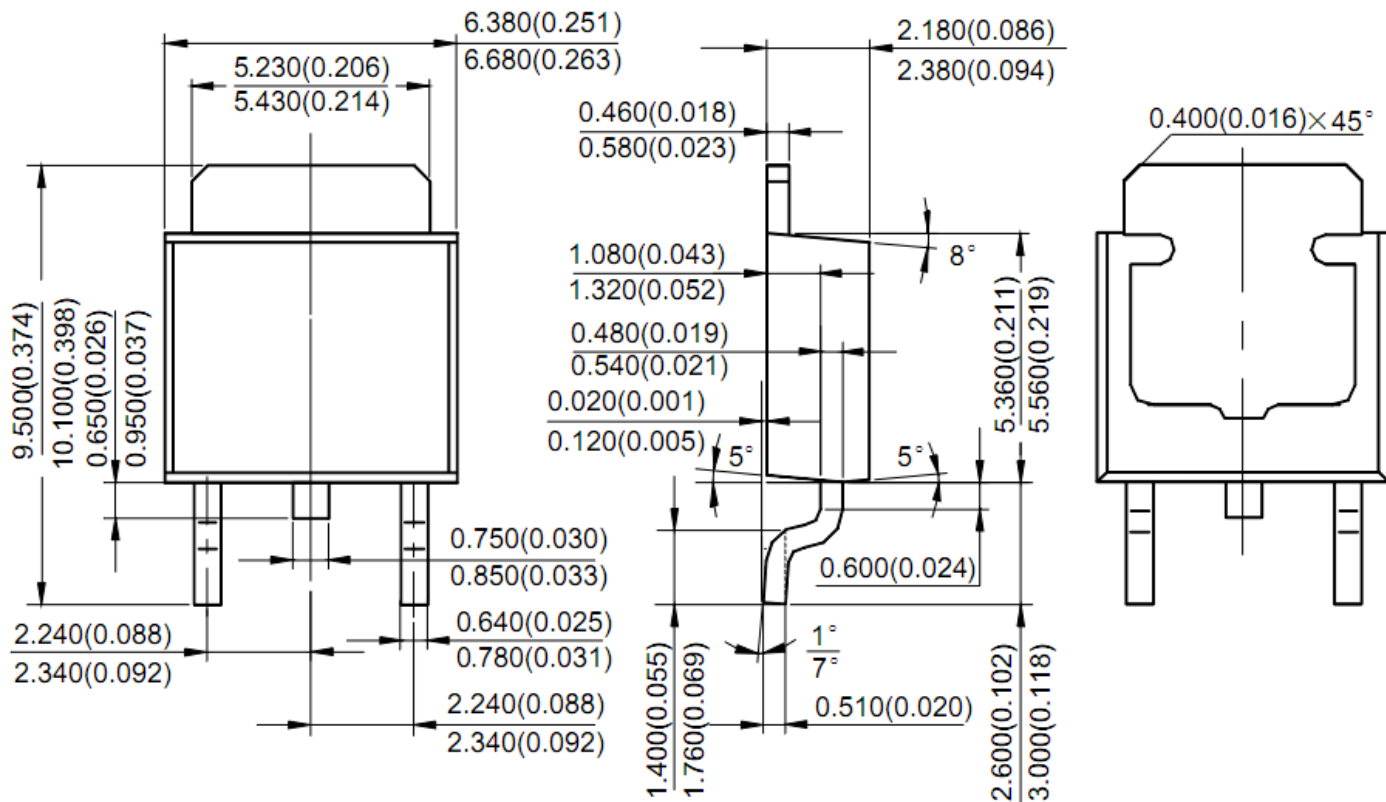


● SOT89-3



DIM	Millimeters		Inches	
	Min	Max	Min	Max
A	1.4	1.6	0.0551	0.0630
A1	1.4	1.6	0.0551	0.0630
a	0.36	0.48	0.0142	0.0189
b	0.41	0.53	0.0161	0.0209
c	0.36	0.48	0.0142	0.0189
d	1.4	1.75	0.0551	0.0689
B	0.38	0.43	0.015	0.0169
C	1.4	1.6	0.0551	0.0630
D	4.4	4.6	0.1732	0.181
E	-	4.25	-	0.1673
e	2.4	2.6	0.0945	0.1023
L1	0.4	-	0.0157	-
L2	0.8	-	0.0315	-

● TO252-2L



- The information described herein is subject to change without notice.
- Nanjing Micro One Electronics Inc is not responsible for any problems caused by circuits or diagrams described herein whose related industrial properties, patents, or other rights belong to third parties. The application circuit examples explain typical applications of the products, and do not guarantee the success of any specific mass-production design.
- Use of the information described herein for other purposes and/or reproduction or copying without the express permission of Nanjing Micro One Electronics Inc is strictly prohibited.
- The products described herein cannot be used as part of any device or equipment affecting the human body, such as exercise equipment, medical equipment, security systems, gas equipment, or any apparatus installed in airplanes and other vehicles, without prior written permission of Nanjing Micro One Electronics Inc.
- Although Nanjing Micro One Electronics Inc exerts the greatest possible effort to ensure high quality and reliability, the failure or malfunction of semiconductor products may occur. The user of these products should therefore give thorough consideration to safety design, including redundancy, fire-prevention measures, and malfunction prevention, to prevent any accidents, fires, or community damage that may ensue.