

DESCRIPTION

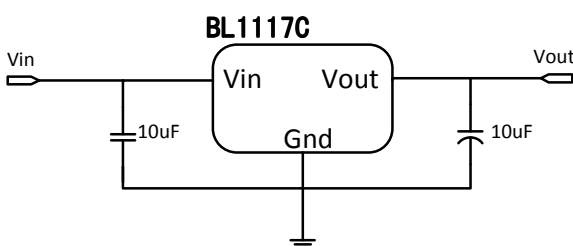
BL1117C is a series of low dropout three-terminal regulators with a dropout of 1.3V at 1A load current. BL1117C features a very low standby current 2mA compared to 5mA of competitor.

Other than a fixed version, $V_{out} = 1.2V, 1.8V, 2.5V, 3.3V, 5V,$ and 12V, BL1117C has an adjustable version, which can provide an output voltage from 1.25 to 12V with only two external resistors.

BL1117C offers thermal shut down and current limit functions, to assure the stability of chip and power system. And it uses trimming technique to guarantee output voltage accuracy within $\pm 2\%$. Other output voltage accuracy can be customized on demand, such as $\pm 1\%$

BL1117C is available in SOT-223, TO-252 power package.

TYPICAL APPLICATION



Application circuit of BL1117C fixed version

NOTE: Input capacitor ($C_{in}=10\mu F$) and Output capacitor ($C_{out}=10\mu F$) are recommended in all application circuit. Tantalum capacitor is recommended.

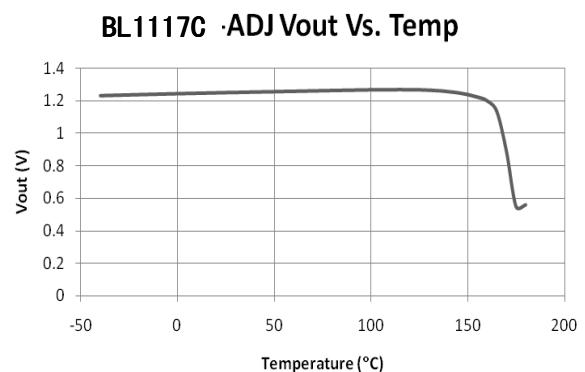
FEATURES

- Other than a fixed version and an adjustable version, output value can be customized on demand.
- Maximum output current is 1A
- Range of operation input voltage: Max 12V
- Standby current: 2mA (typ.)
- Line regulation: 0.1%/V (typ.)
- Load regulation: 10mV (typ.)
- Environment Temperature: $-40^{\circ}C \sim 85^{\circ}C$

APPLICATIONS

- Power Management for Computer Mother Board, Graphic Card
- BLD Monitor and BLD TV
- DVD Decode Board
- ADSL Modem
- Post Regulators for Switching Supplies

TYPICAL ELECTRICAL CHARACTERISTIC



ORDERING INFORMATION

BL1117C-XX X X

Package Type:

X: SOT-223

Y: TO-252

M: SOT-89-3

Temp. Range & Rohs Std.:

A: 85C & Pb-free Rhos
Std,Output voltage accuracy
within $\pm 1\%$

C: 85C & Pb-free Rohs
Std,Output voltage accuracy
within $\pm 2\%$

Output Voltage:

12.....1.2V

18.....1.8V

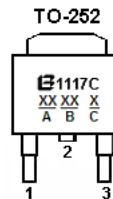
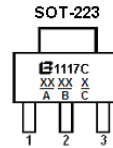
25.....2.5V

33.....3.3V

50.....5.0V

Default: Adjustable Version

PIN CONFIGURATION



Pin Description: Fixed Version

Pin No.	Symbol	Definition
1	GND	Ground
2	Vout	Output
3	Vin	Input

Adjustable Version

Pin No.	Symbol	Definition
1	Adj.	Adjustable
2	Vout	Output
3	Vin	Input

A: Means Manufacture LOT No.

B: Means Output Voltage Value

C: Means Temp. Range&Rohs Std

ABSOLUTE MAXIMUM RATING

Parameter		Value
Max Input Voltage		15V ^①
Max Operating Junction Temperature(Tj)		150°C
Ambient Temperature(Ta)		-40°C – 85°C
Package Thermal Resistance	SOT-223	20°C / W
	TO-252	10°C / W
Storage Temperature(Ts)		-40°C - 150°C
Lead Temperature & Time		260°C, 10S

Note: Exceed these limits to damage to the device. Exposure to absolute maximum rating conditions may affect device reliability.

RECOMMENDED WORK CONDITIONS

Parameter	Value
Input Voltage Range	Max. 12V ^①
Operating Junction Temperature(Tj)	-20°C –125°C

^①Exceptional for BL1117C-12V, the maximum input voltage for BL1117C-12V is 20V.

ELECTRICAL CHARACTERISTICS

T_j=25°C

Symbol	Parameter	Conditions	Min	Typ	Max	Unit
V _{ref}	Reference Voltage	BL1117C-ADJ 10mA ≤ I _{out} ≤ 1A, V _{in} =3.25V	1.225	1.25	1.275	V
V _{out}	Output Voltage	BL1117C-1.2V 0 ≤ I _{out} ≤ 1A, V _{in} =3.2V	1.176	1.2	1.224	V
		BL1117C-1.8V 0 ≤ I _{out} ≤ 1A, V _{in} =3.8V	1.764	1.8	1.836	V
		BL1117C-2.5V 0 ≤ I _{out} ≤ 1A, V _{in} =4.5V	2.45	2.5	2.55	V
		BL1117C-3.3V 0 ≤ I _{out} ≤ 1A, V _{in} =5.3V	3.234	3.3	3.366	V
		BL1117C-5.0V 0 ≤ I _{out} ≤ 1A, V _{in} =7.0V	4.9	5	5.1	V
		BL1117C-12.0V 0 ≤ I _{out} ≤ 1A, V _{in} =14V	11.76	12	12.24	V
ΔV _{out}	Line Regulation	BL1117C-1.2V I _{out} =10mA, 2.7V ≤ V _{in} ≤ 10V		0.1	0.2	%/V
		BL1117C-ADJ I _{out} =10mA, 2.75V ≤ V _{in} ≤ 12V		0.1	0.2	%/V
		BL1117C-1.8V I _{out} =10mA, 3.3V ≤ V _{in} ≤ 12V		0.1	0.2	%/V
		BL1117C-2.5V I _{out} =10mA, 4.0V ≤ V _{in} ≤ 12V		0.1	0.2	%/V
		BL1117C-3.3V I _{out} =10mA, 4.8V ≤ V _{in} ≤ 12V		0.1	0.2	%/V
		BL1117C-5.0V I _{out} =10mA, 6.5V ≤ V _{in} ≤ 12V		0.1	0.2	%/V
		BL1117C-12.0V I _{out} =10mA, 13.5V ≤ V _{in} ≤ 20V		0.1	0.2	%/V
ΔV _{out}	Load Regulation	BL1117C-1.2V V _{in} = 2.7V, 10mA ≤ I _{out} ≤ 1A		10	30	mV
		BL1117C-ADJ V _{in} = 2.75V, 10mA ≤ I _{out} ≤ 1A		10	30	mV
		BL1117C-1.8V V _{in} =3.3V, 10mA ≤ I _{out} ≤ 1A		10	30	mV
		BL1117C-2.5V V _{in} =4.0V, 10mA ≤ I _{out} ≤ 1A		10	30	mV
		BL1117C-3.3V V _{in} =4.8V, 10mA ≤ I _{out} ≤ 1A		10	30	mV
		BL1117C-5.0V V _{in} =6.5V, 10mA ≤ I _{out} ≤ 1A		10	30	mV
		BL1117C-12.0V V _{in} =13.5V, 10mA ≤ I _{out} ≤ 1A		10	30	mV

ELECTRICAL CHARACTERISTICS continued

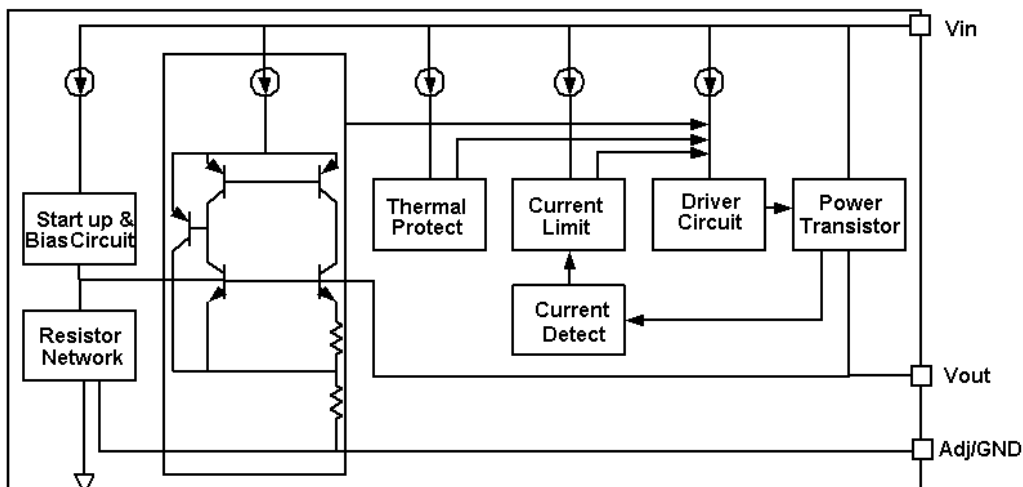
T_j=25°C

Symbol	Parameter	Conditions	Min	Typ	Max	Unit
Vdrop	Dropout Voltage	I _{out} =100mA		1.23	1.3	V
		I _{out} =1A		1.3	1.5	V
I _{limit}	Current Limit	V _{in} -V _{out} =2V, T _j =25°C	1			A
I _{min}	Minimum Load Current	BL1117C-ADJ		2	10	mA
I _q	Quiescent Current	BL1117C-1.2V, V _{in} =10V		2	5	mA
		BL1117C-1.8V, V _{in} =12V		2	5	mA
		BL1117C-2.5V, V _{in} =12V		2	5	mA
		BL1117C-3.3V, V _{in} =12V		2	5	mA
		BL1117C-5.0V, V _{in} =12V		2	5	mA
		BL1117C-12.0V, V _{in} =20V		2	5	mA
I _{Adj}	Adjust Pin Current	BL1117C-ADJ V _{in} =5V, 10mA ≤ I _{out} ≤ 1A		55	120	uA
I _{change}	I _{adj} change	BL1117C-ADJ V _{in} =5V, 10mA ≤ I _{out} ≤ 1A		0.2	10	uA
ΔV/ΔT	Temperature coefficient			±100		ppm
θ _{JC}	Thermal Resistance	SOT-223		20		°C/W
		TO-252		10		
		TO-220		4.5		

Note1: All test are conducted under ambient temperature 25°C and within a short period of time 20ms

Note2: Load current smaller than minimum load current of BL1117C-ADJ will lead to unstable or oscillation output.

BLOCK DIAGRAM



DETAILED DESCRIPTION

BL1117C is a series of low dropout voltage, three terminal regulators. Its application circuit is very simple: the fixed version only needs two capacitors and the adjustable version only needs two resistors and two capacitors to work. It is composed of some modules including start-up circuit, bias circuit, bandgap, thermal shutdown, current limit, power transistors and its driver circuit and so on.

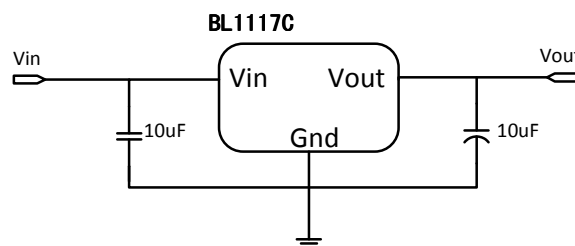
The thermal shut down modules can assure chip and its application system working safety when the junction temperature is larger than 140°C.

The bandgap module provides stable reference voltage, whose temperature coefficient is compensated by careful design considerations. The temperature coefficient is under 100 ppm/°C. And the accuracy of output voltage is guaranteed by trimming technique.

TYPICAL APPLICATION

BL1117C has an adjustable version and six fixed versions (1.2V, 1.8V, 2.5V, 3.3V, 5V and 12V)

Fixed Output Voltage Version

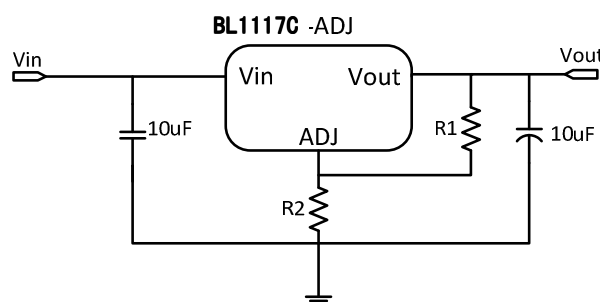


Application circuit of BL1117C fixed version

- 1) Recommend using 10uF tan capacitor as bypass capacitor (C1) for all application circuit.
- 2) Recommend using 10uF tan capacitor to assure circuit stability.

Adjustable Output Voltage Version

BL1117C-ADJ provides a 1.25V reference voltage. Any output voltage between 1.25V~12V can be achievable by choosing two external resistors (schematic is shown below), R1 and R2



Application Circuit of BL1117C-ADJ

The output voltage of adjustable version follows the equation: $V_{out} = 1.25 \times (1 + R2/R1) + I_{Adj} \times R2$. We can ignore I_{Adj} because I_{Adj} (about 50uA) is much less than the current of R1 (about 2~10mA).

- 1) To meet the minimum load current (>10mA) requirement, R1 is recommended to be 125ohm or lower. As BL1117C-ADJ can keep itself stable at load current about 2mA, R1 is not allowed to be higher than 625ohm.
- 2) Using a bypass capacitor (C_{ADJ}) between the ADJ pin and ground can improve ripple rejection. This bypass capacitor prevents ripple from being amplified as the output voltage is increased. The impedance of C_{ADJ} should be less than R1 to prevent ripple from being amplified. As R1 is normally in the range of $100\Omega\sim 500\Omega$, the value of C_{ADJ} should satisfy this equation: $1/(2\pi \times f_{ripple} \times C_{ADJ}) < R1$.

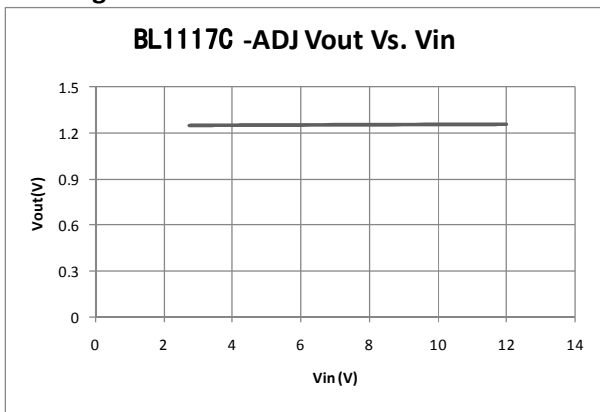
THERMAL CONSIDERATIONS

We have to take heat dissipation into great consideration when output current or differential voltage of input and output voltage is large. Because in such cases, the power dissipation consumed by BL1117C is very large. BL1117C series uses SOT-223 package type and its thermal resistance is about 20°C/W. And the copper area of application board can affect the total thermal resistance. If copper area is 5cm*5cm (two sides), the resistance is about 30°C/W. So the total thermal resistance is about 20°C/W + 30°C/W. We can decrease total thermal resistance by increasing copper area in application board. When there is no good heat dissipation copper are in PCB, the total thermal resistance will be as high as 120°C/W, then the power dissipation of BL1117C could allow on itself is less than 1W. And furthermore, BL1117C will work at junction temperature higher than 125°C under such condition and no lifetime is guaranteed.

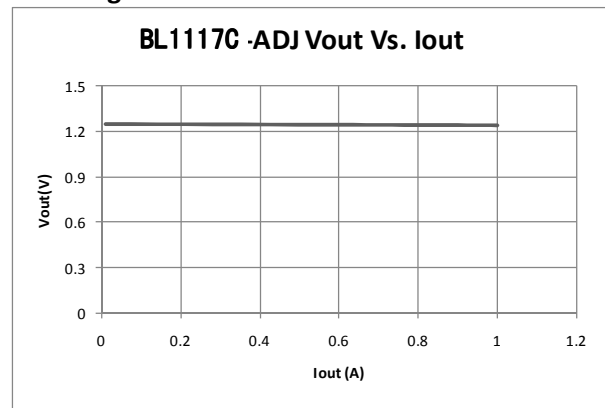
TYPICAL PERFORMANCE CHARACTERISTICS

$T=25^{\circ}\text{C}$ unless specified.

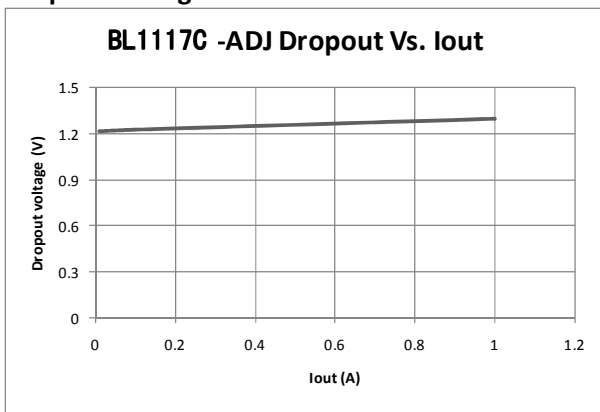
Line Regulation



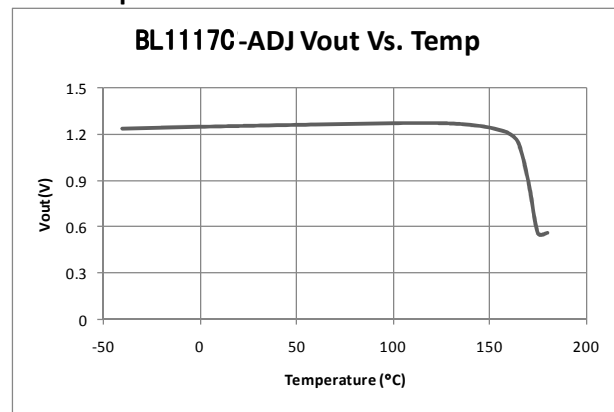
Load Regulation



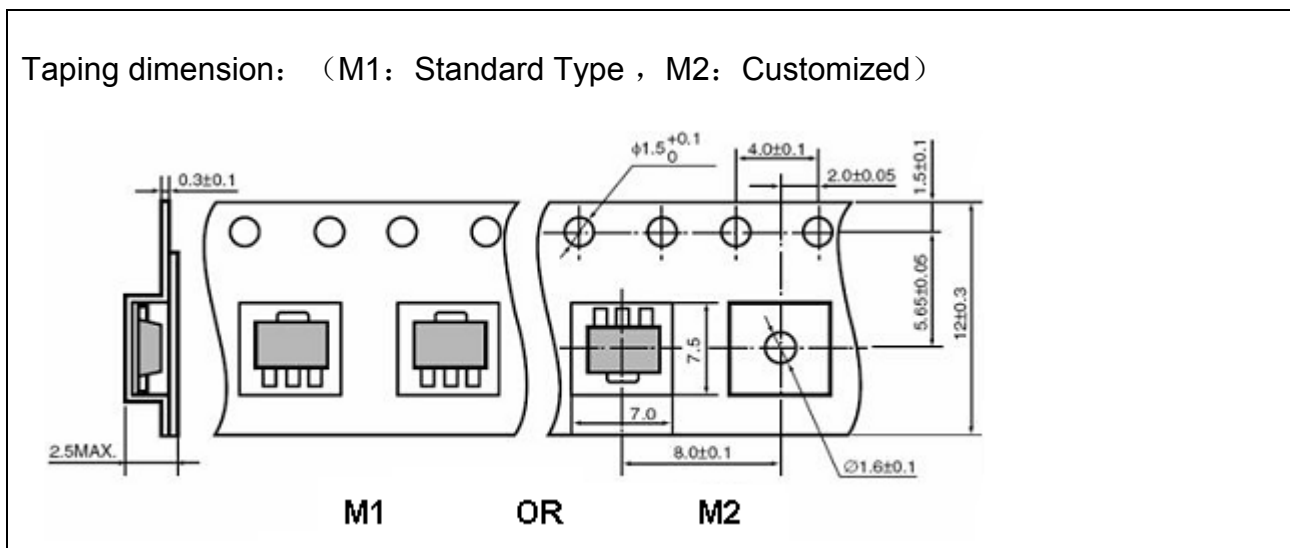
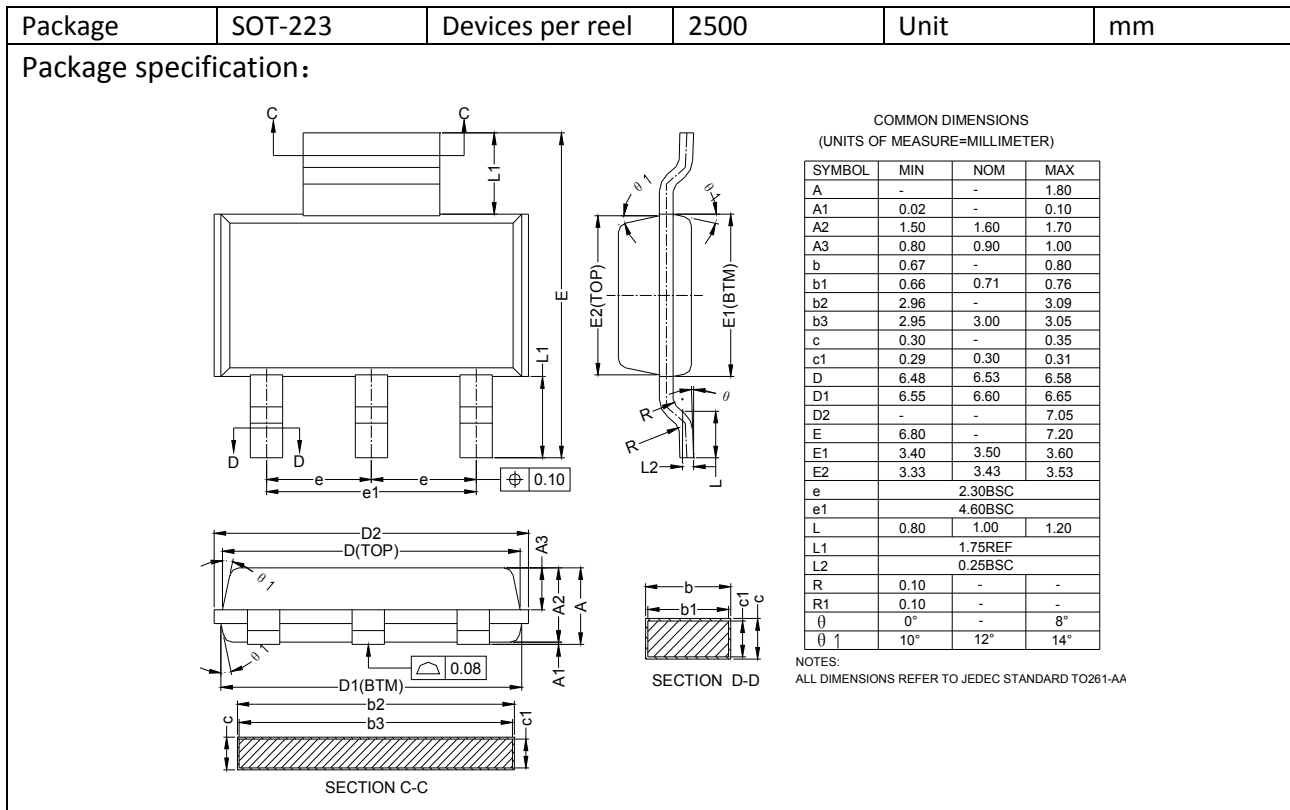
Dropout Voltage



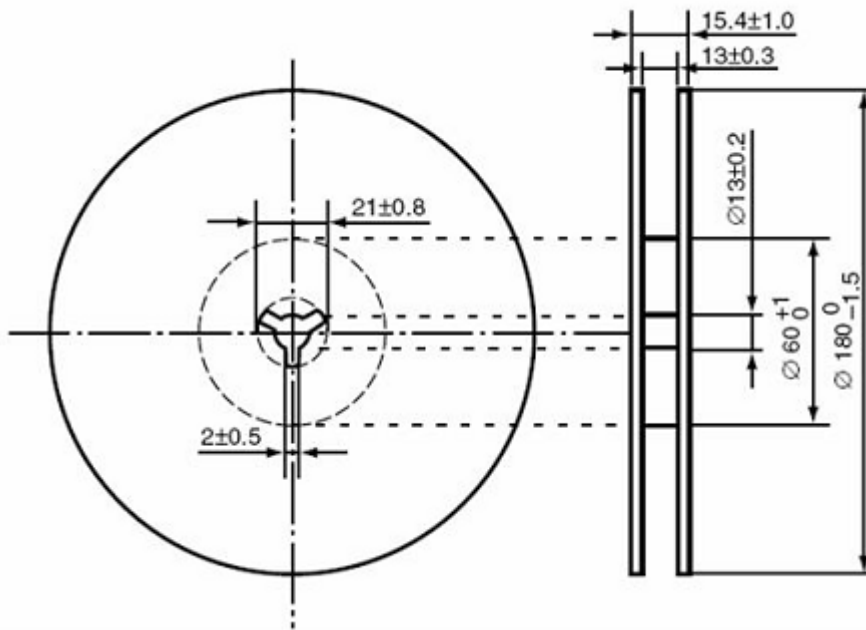
Thermal performance with OTP



PACKAGE OUTLINE

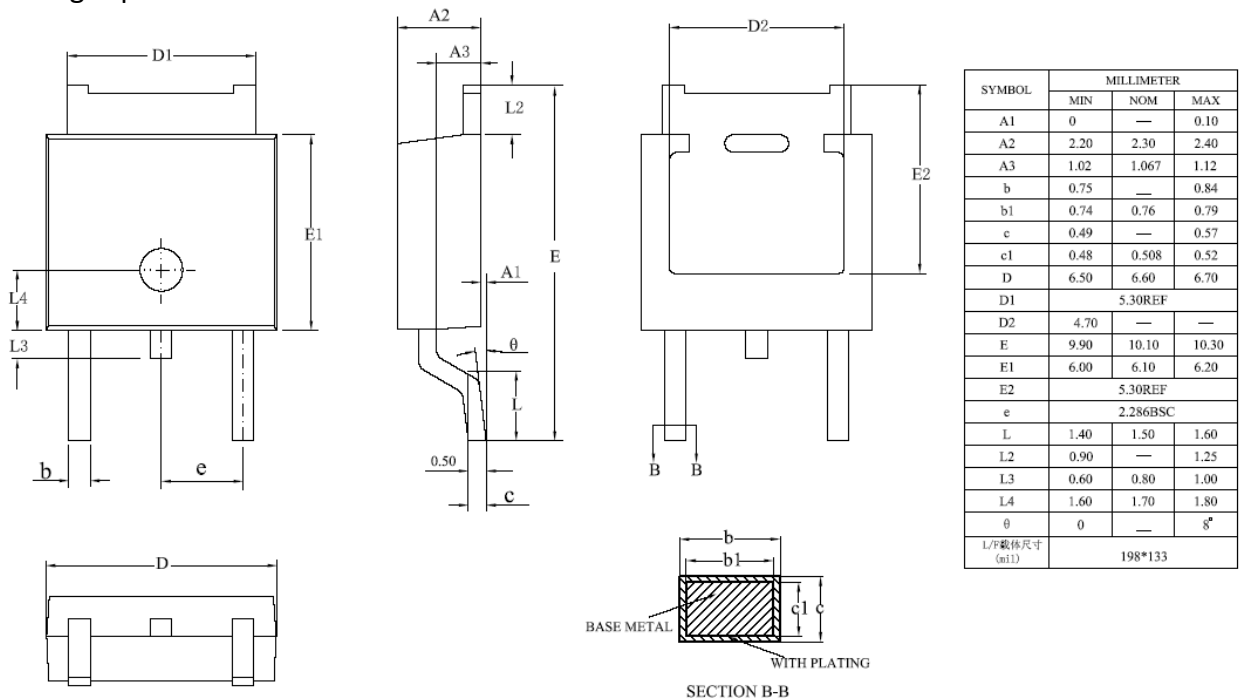


Taping reel dimension:

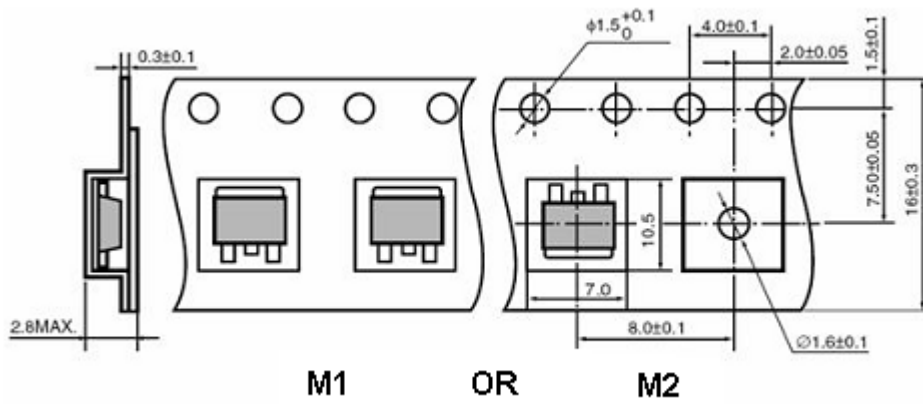


Package	TO-252	Devices per reel	2500	Unit	mm
---------	--------	------------------	------	------	----

Package specification:



Taping dimension: (M1: Standard Type , M2: Customized)



Taping reel dimension:

